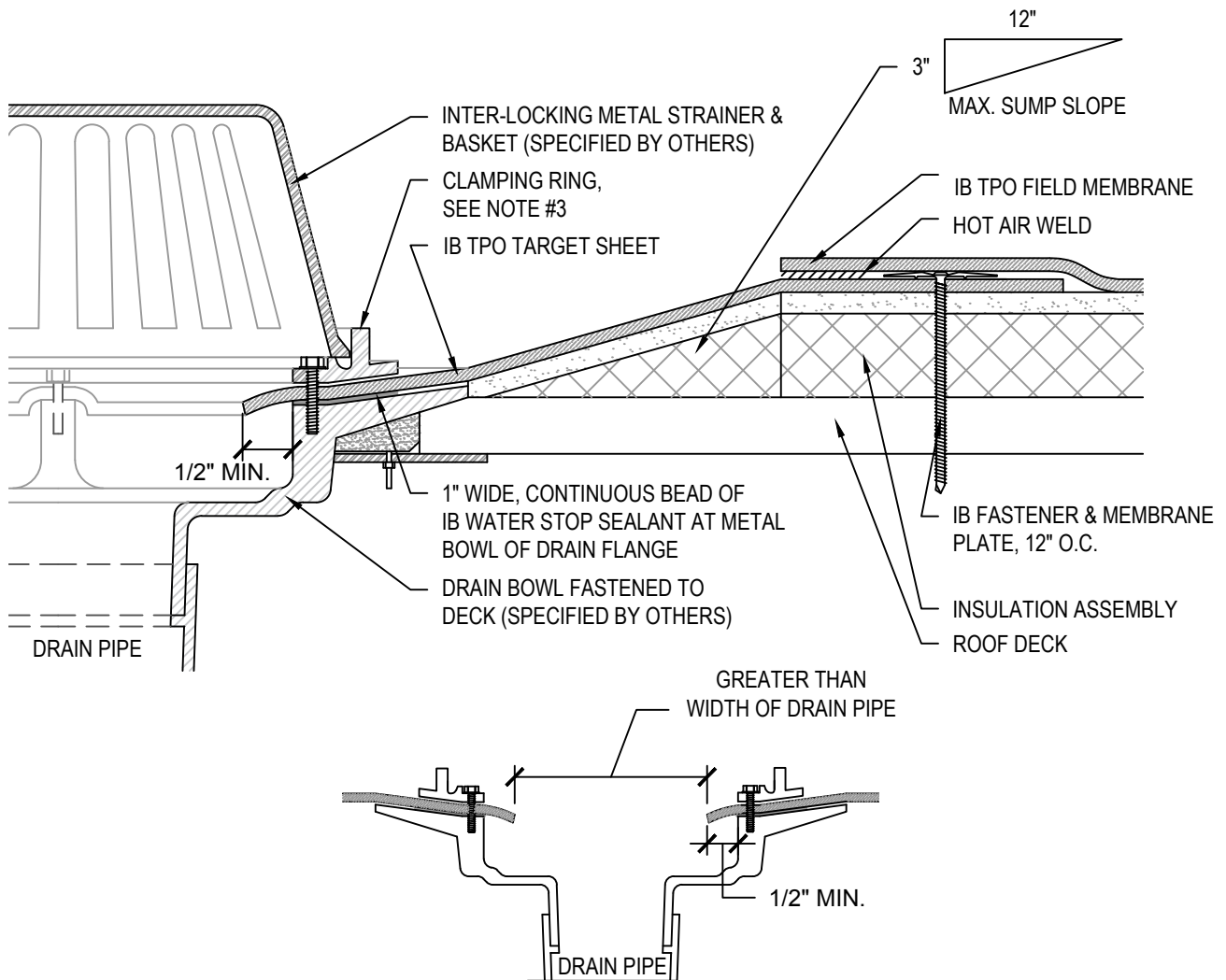


NOTES:

1. ROOF SLOPE, DRAIN SIZE AND NUMBER OF DRAINS SHALL BE IN ACCORDANCE WITH THE LOCAL CODES.
2. THE HOLE IN THE MEMBRANE SHALL EXCEED THE DIAMETER OF THE DRAIN PIPE, BUT SHALL BE NO LESS THAN 1/2" FROM THE ATTACHMENT POINTS OF THE DRAIN CLAMPING RING.
3. ALL BOLTS OR CLAMPS MUST BE IN PLACE TO PROVIDE CONSTANT COMPRESSION ON IB WATER STOP SEALANT
4. MEMBRANE DRAIN LINERS ARE NOT ELIGIBLE FOR AN IB TOTAL ROOF SYSTEM WARRANTY.
5. RE-ROOF APPLICATIONS: REMOVE EXISTING LEAD, FLASHING MATERIAL & ENSURE THE DRAIN RING IS COMPLETELY CLEAN DOWN TO BARE METAL.
6. OVERFLOW DRAINS ARE THE SAME, EXCEPT FOR THE RESTRICTOR COLLAR.
7. DRAIN TARGET SHEET CAN BE INSTALLED BEFORE OR AFTER FIELD MEMBRANE.

Scale: NTS	Detail Name: IB TPO Drain with Clamping Ring	Detail Number: T-RD-01
----------------------	---	---

Submitted By: Address: Telephone:	Project: Address:
--	-----------------------------

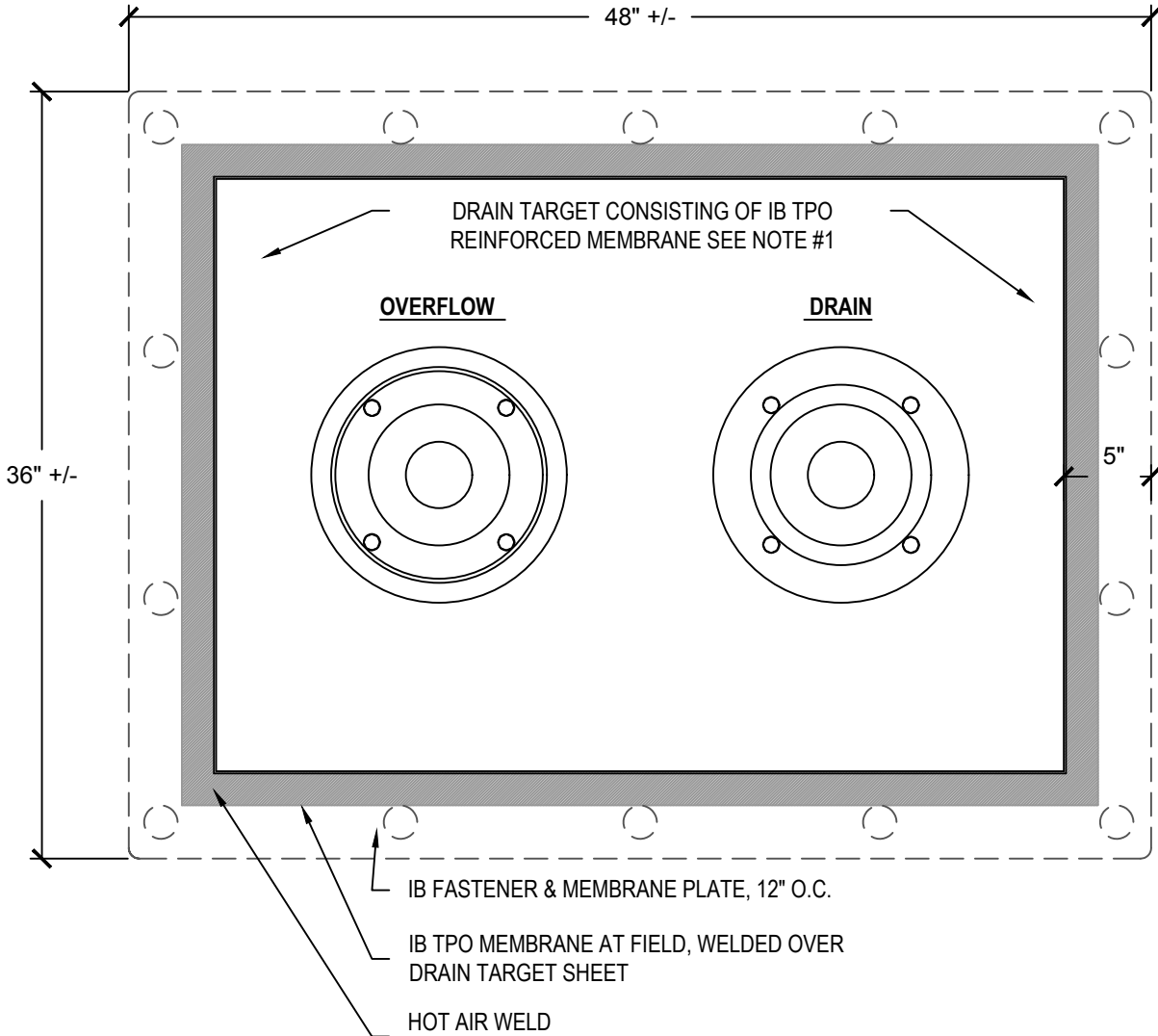


NOTES:

1. ROOF SLOPE, DRAIN SIZE AND NUMBER OF DRAINS SHALL BE IN ACCORDANCE WITH THE LOCAL CODES.
2. THE HOLE IN THE MEMBRANE SHALL EXCEED THE DIAMETER OF THE DRAIN PIPE, BUT SHALL BE NO LESS THAN 1/2" FROM THE ATTACHMENT POINTS OF THE DRAIN CLAMPING RING.
3. ALL BOLTS OR CLAMPS MUST BE IN PLACE TO PROVIDE CONSTANT COMPRESSION ON IB WATER STOP SEALANT.
4. MEMBRANE DRAIN LINERS ARE NOT ELIGIBLE FOR AN IB TOTAL SYSTEMS WARRANTY.
5. RE-ROOF APPLICATIONS: REMOVE EXISTING LEAD, FLASHING MATERIAL & ENSURE THE DRAIN RING IS COMPLETELY CLEAN DOWN TO BARE METAL.
6. DRAINS ARE THE SAME, EXCEPT FOR THE RESTRICTOR COLLAR.
7. TARGET SHEETS CAN BE INSTALLED BEFORE OR AFTER FIELD MEMBRANE.
REFER TO T-RD-03 FOR TAPERED SUMP LAYOUT PARAMETERS

Scale: NTS	Detail Name: IB TPO Tapered Sump Drain with Clamping Ring	Detail Number: T-RD-02
----------------------	--	---

Submitted By: Address: Telephone:	Project: Address:
--	-----------------------------

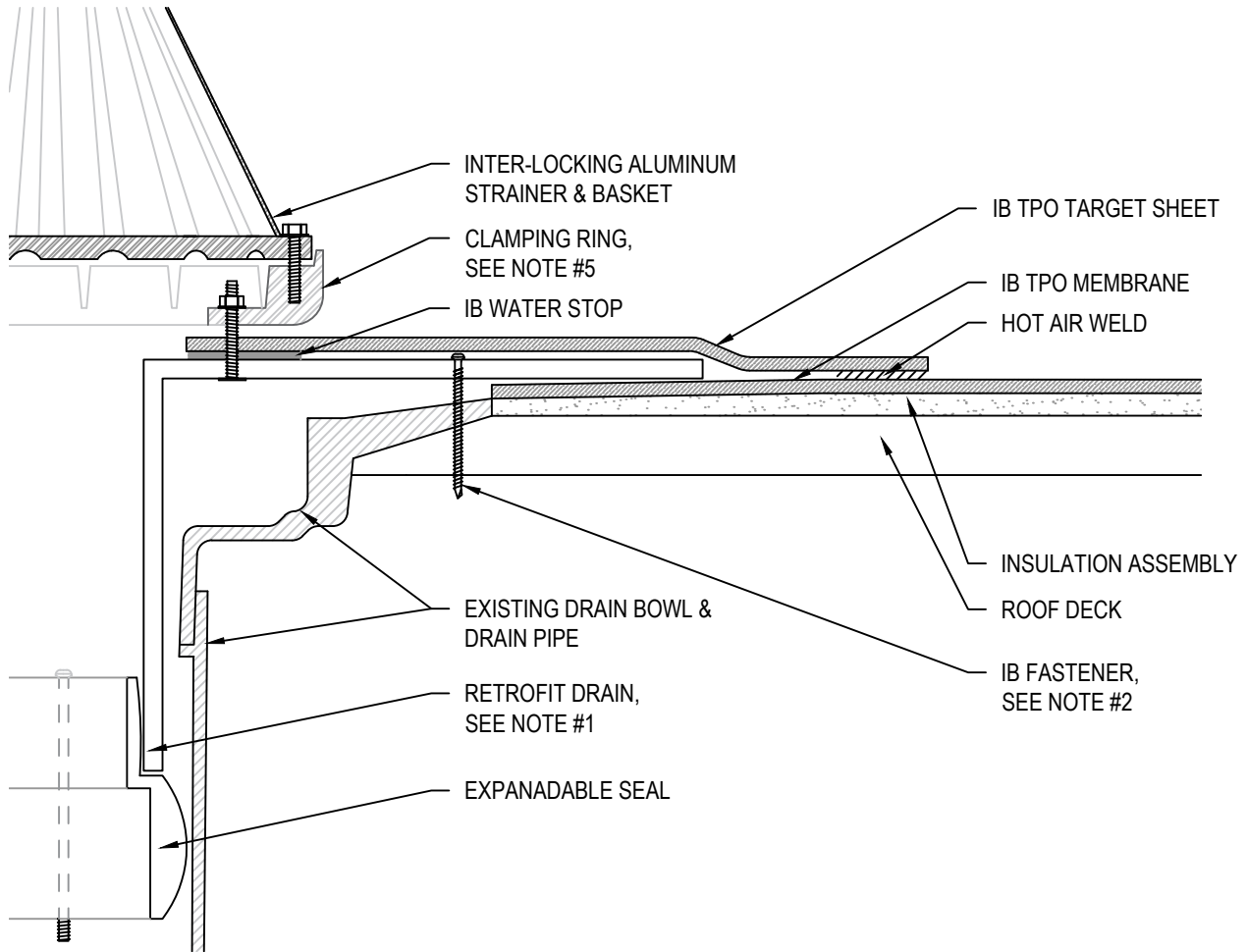


NOTES:

1. SUMP AREAS AT DRAINS SHOULD BE FORMED INTO THE DECK OR INSTALLED WITH TAPERED INSULATION.
2. APPROVED DRAIN TYPES INCLUDE: CAST IRON, SPUN ALUMINUM, OR COPPER WITH CLAMPING RINGS.
3. MEMBRANE DRAIN LINERS ARE NOT ELIGIBLE FOR IB TOTAL ROOF SYSTEM WARRANTIES AND REQUIRE PRE-APPROVAL FOR USE ON IB WARRANTED PROJECTS.
4. RE-ROOF APPLICATIONS: AN APPROVED SEPARATION LAYER IS REQUIRED TO FULLY DIVORCE THE IB MEMBRANE FROM ANY EXISTING INCOMPATIBLE MATERIALS.
5. TARGET SHEETS CAN BE INSTALLED BEFORE OR AFTER FIELD MEMBRANE.

Scale: NTS	Detail Name: IB TPO Overflow Drain Layout	Detail Number: T-RD-03
----------------------	--	---

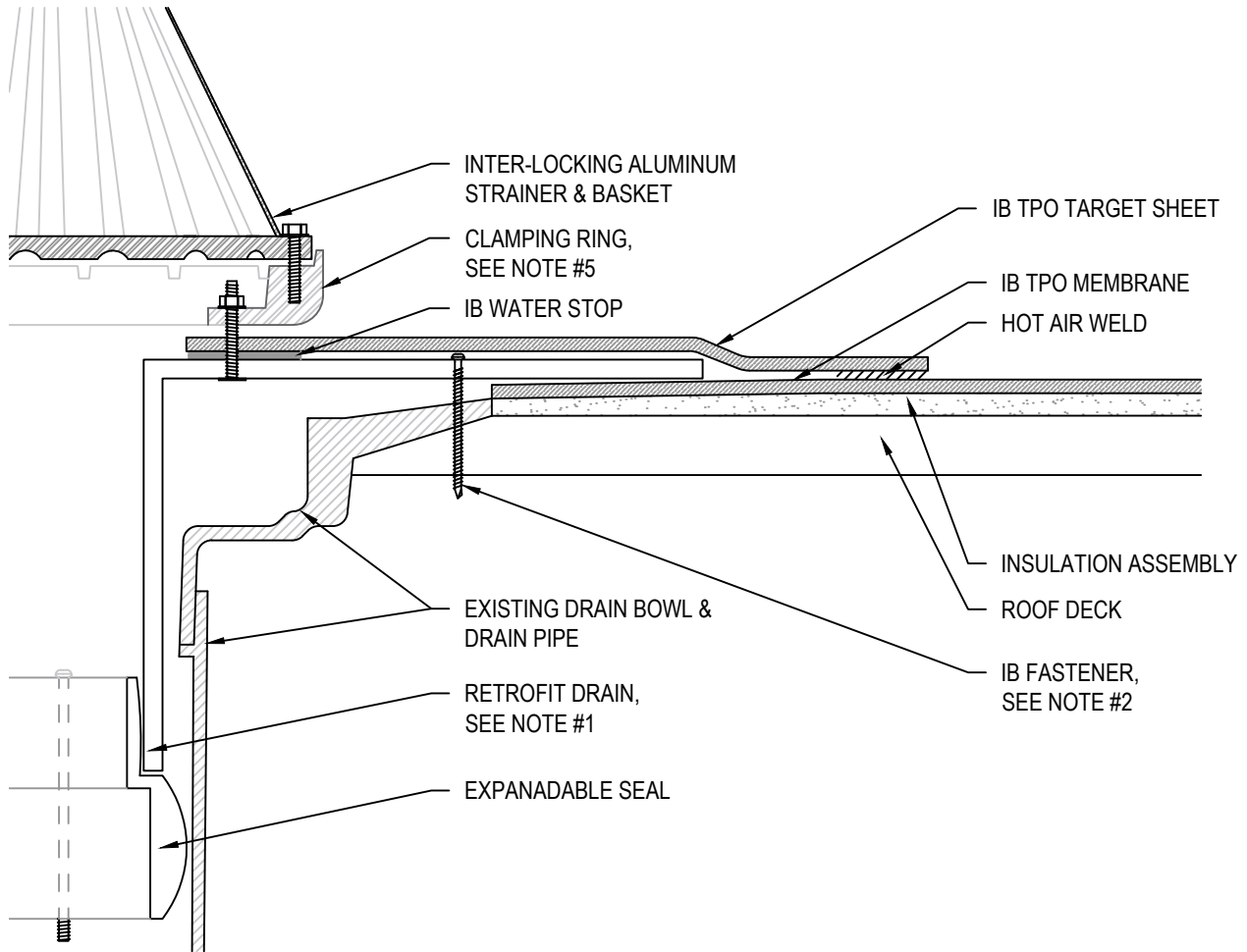
Submitted By: Address: Telephone:	Project: Address:
--	-----------------------------



NOTES:

1. INSTALLATION OF EXPANDABLE SEAL REQUIRES USE OF A PRO-SEAL SCREWDRIVER TO CREATE A WATER-TIGHT CONNECTION TO EXISTING PREPARED DRAIN PIPE. 2" MODEL DRAINS ARE SUPPLIED WITH ALTERNATE EXPANDABLE FOAM COMPRESSION SEAL. REMOVE SEAL RETENTION TAPE PRIOR TO INSTALLATION.
2. FASTEN DRAIN FLANGE 12" O.C. WITH MINIMUM OF 4 FASTENERS PER DRAIN USING IB FASTENERS.
3. MEMBRANE DRAIN LINERS ARE NOT ELIGIBLE FOR AN IB TOTAL ROOF SYSTEMS WARRANTY.
4. RE-ROOF APPLICATIONS: REMOVE EXISTING LEAD, FLASHING MATERIAL & ENSURE THE DRAIN PIPE IS COMPLETELY CLEAN AND FREE OF ASPHALT OR OTHER CONTAMINANTS.
5. INSPECT CLAMPING RING AND BOLTS UPON INSTALLATION TO ENSURE UNIFORM COMPRESSION AND A WATERTIGHT SEAL IS PRESENT BETWEEN THE DRAIN FLANGE AND TARGET SHEET.
6. OVERFLOW DRAIN INSTALLATION REQUIERS USE OF ALTERNATE 2-INCH, NO-CUT OUT OVERFLOW CLAMPING RING.

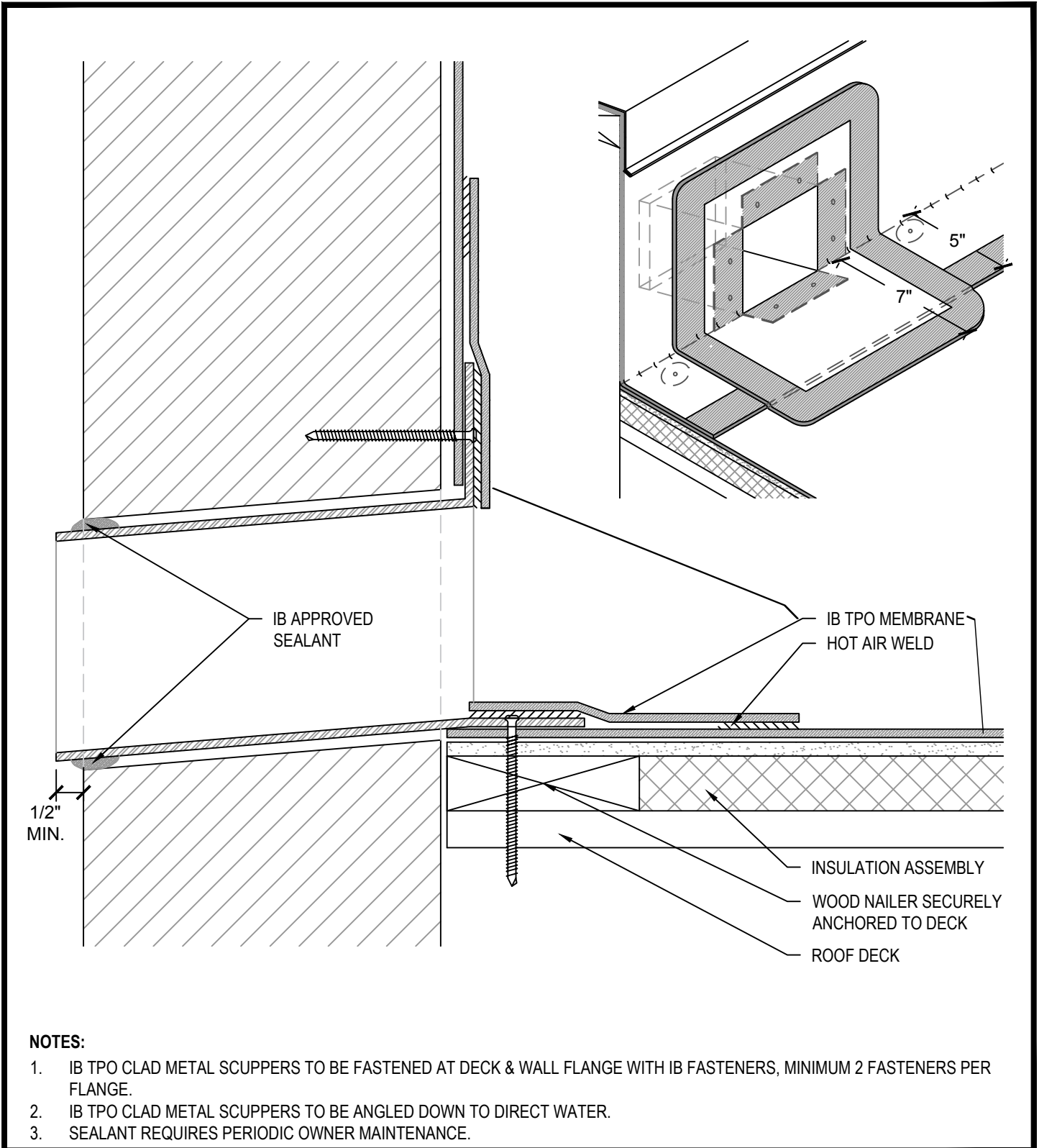
Scale: NTS	Detail Name: IB TPO Retrofit Drain	Detail Number: T-RD-04
Submitted By: Address: Telephone:		Project: Address:



NOTES:

1. INSTALLATION OF EXPANDABLE SEAL REQUIRES USE OF A PRO-SEAL SCREWDRIVER TO CREATE A WATER-TIGHT CONNECTION TO EXISTING PREPARED DRAIN PIPE. 2" MODEL DRAINS ARE SUPPLIED WITH ALTERNATE EXPANDABLE FOAM COMPRESSION SEAL. REMOVE SEAL RETENTION TAPE PRIOR TO INSTALLATION.
2. FASTEN DRAIN FLANGE 12" O.C. WITH MINIMUM OF 4 FASTENERS PER DRAIN USING IB FASTENERS.
3. MEMBRANE DRAIN LINERS ARE NOT ELIGIBLE FOR AN IB TOTAL ROOF SYSTEMS WARRANTY.
4. RE-ROOF APPLICATIONS: REMOVE EXISTING LEAD, FLASHING MATERIAL & ENSURE THE DRAIN PIPE IS COMPLETELY CLEAN AND FREE OF ASPHALT OR OTHER CONTAMINANTS.
5. INSPECT CLAMPING RING AND BOLTS UPON INSTALLATION TO ENSURE UNIFORM COMPRESSION AND A WATERTIGHT SEAL IS PRESENT BETWEEN THE DRAIN FLANGE AND TARGET SHEET.
6. OVERFLOW DRAIN INSTALLATION REQUIERS USE OF ALTERNATE 2-INCH, NO-CUT OUT OVERFLOW CLAMPING RING.

Scale: NTS	Detail Name: IB TPO Retrofit Overflow Drain	Detail Number: T-RD-05
Submitted By: Address: Telephone:		Project: Address:

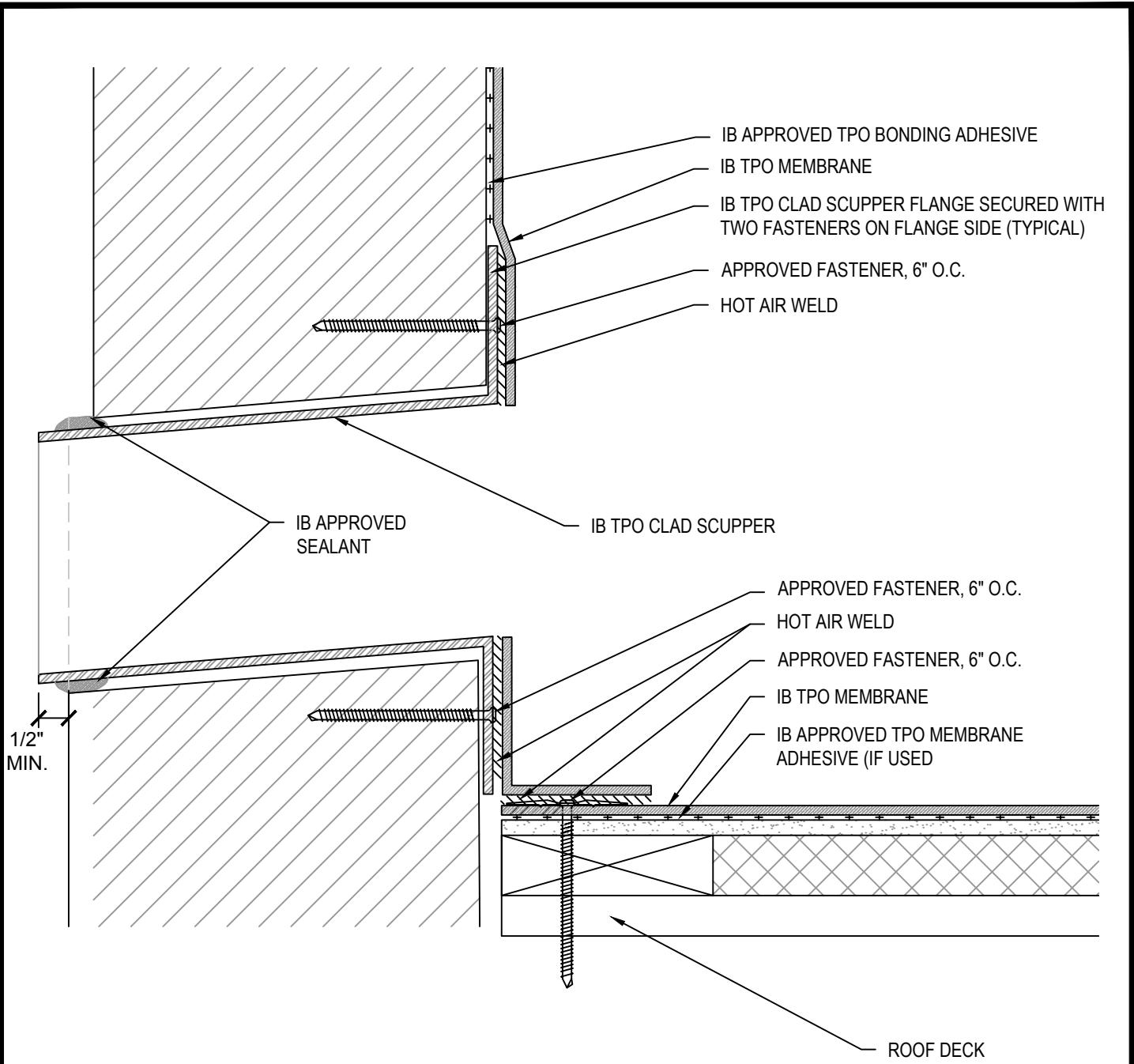


NOTES:

1. IB TPO CLAD METAL SCUPPERS TO BE FASTENED AT DECK & WALL FLANGE WITH IB FASTENERS, MINIMUM 2 FASTENERS PER FLANGE.
2. IB TPO CLAD METAL SCUPPERS TO BE ANGLED DOWN TO DIRECT WATER.
3. SEALANT REQUIRES PERIODIC OWNER MAINTENANCE.

Scale: NTS	Detail Name: IB TPO Clad Metal Scupper	Detail Number: T-RD-06
----------------------	---	---

Submitted By: Address: Telephone:	Project: Address:
--	-----------------------------



NOTES:

1. IB TPO CLAD METAL SCUPPERS TO BE FASTENED AT DECK & WALL FLANGE WITH IB FASTENERS, MINIMUM 2 FASTENERS PER FLANGE.
2. IB TPO MEMBRANE IN IB TPO BONDING ADHESIVE PER APPROVED APPLICATION RATE. INSTALLED COVERAGE (50% TO SUBSTRATE ALLOW TO DRY WITH REMAINING 50% TO BACK OF SHEET, INSTALL WHILE TACKY)
3. IB TPO CLAD METAL SCUPPERS TO BE ANGLED DOWN TO DIRECT WATER.
4. SEALANT REQUIRES PERIODIC OWNER MAINTENANCE.

Scale: NTS	Detail Name: IB TPO Clad Metal Overflow Scupper	Detail Number: T-RD-07
----------------------	--	---

Submitted By: Address: Telephone:	Project: Address:
--	-----------------------------