

**NOTES:**

1. IB TPO EDGE METAL TO BE FASTENED WITH RING SHANK NAILS AT 4" O.C. STAGGERED, OR WITH IB FASTENERS AT 12" O.C.
2. SECURE FLASHINGS AND METAL WORK IN ACCORDANCE WITH IB SPECIFICATIONS AND FLASHING SECUREMENT TABLE.
3. MAXIMUM WARRANTY TERM LIMITED TO TWENTY (20) YEARS ON TPO CLAD METAL.

Scale:  
NTS

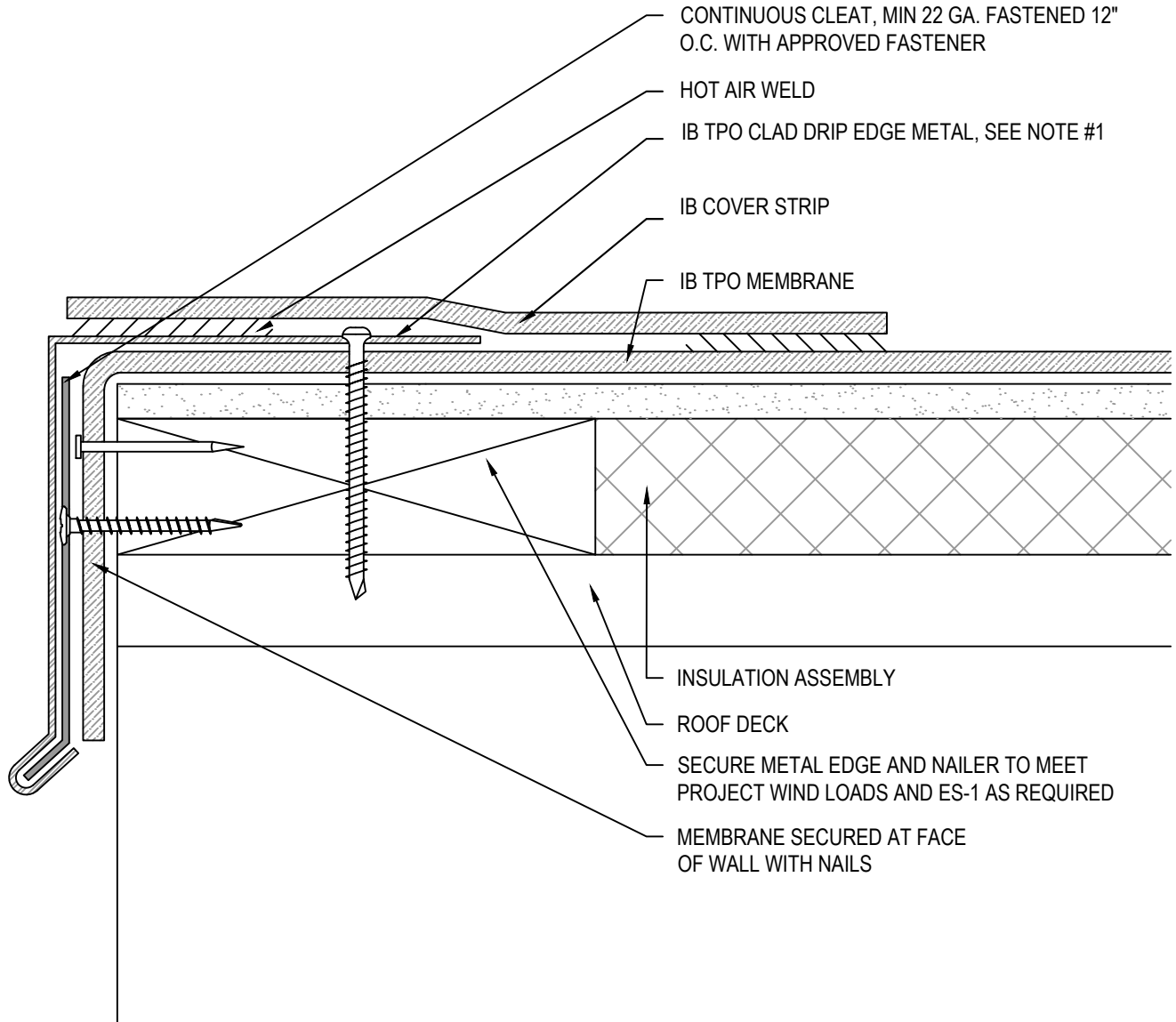
Detail Name:

**IB TPO Clad Drip Edge with TPO Cover Strip**

Detail Number:  
**T-PE-01**

Submitted By:  
Address:  
Telephone:

Project:  
Address:



**NOTES:**

1. IB TPO EDGE METAL TO BE FASTENED WITH RING SHANK NAILS AT 4" O.C. STAGGERED, OR WITH IB FASTENERS AT 12" O.C.
2. CONFORMS WITH ES-1 WHEN USED IN ACCORDANCE WITH TESTED IB METAL EDGE ASSEMBLY.
3. SECURE FLASHINGS AND METAL WORK IN ACCORDANCE WITH IB SPECIFICATIONS AND FLASHING SECUREMENT TABLE.
4. MAXIMUM WARRANTY TERM LIMITED TO TWENTY (20) YEARS ON TPO CLAD METAL.

Scale:  
NTS

Detail Name:

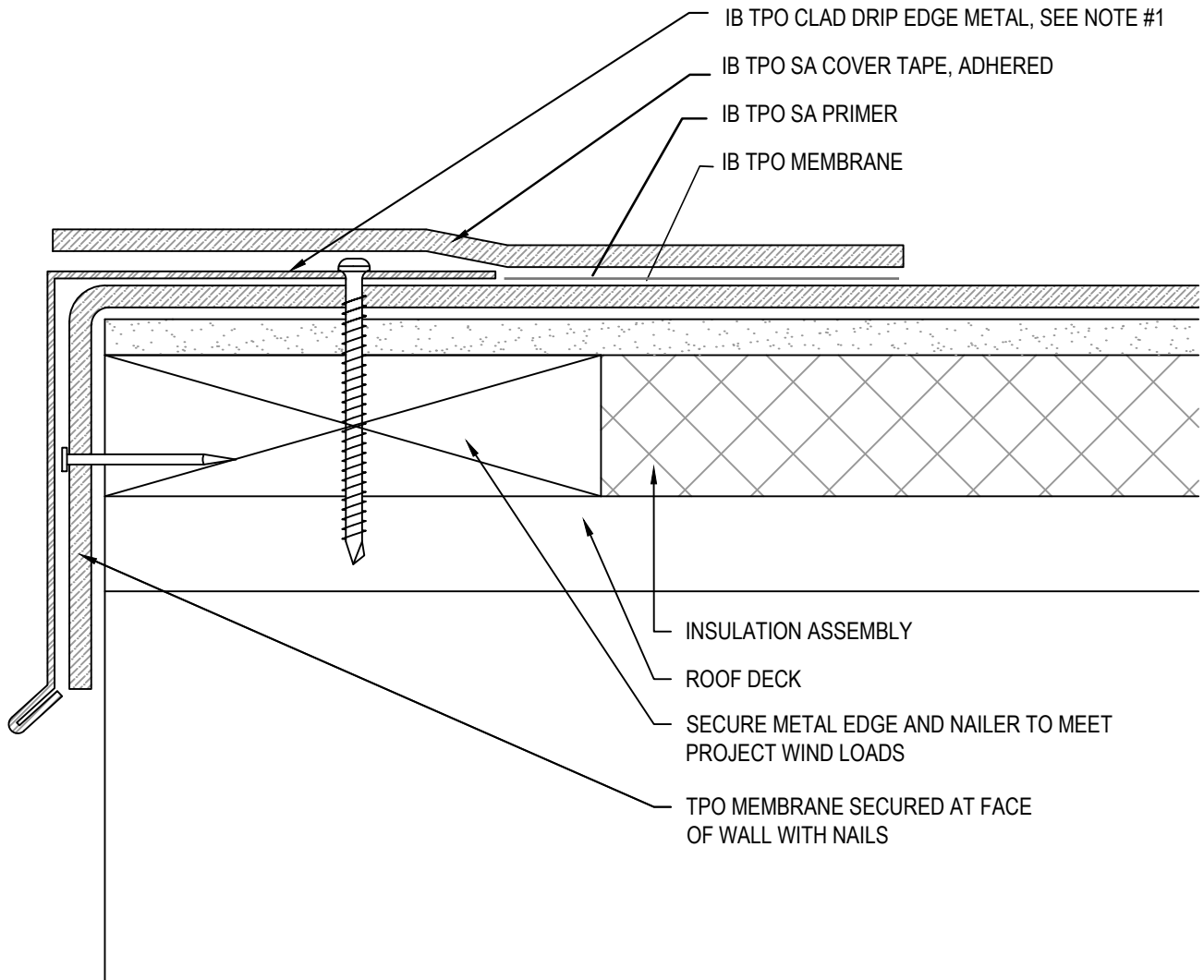
**IB TPO Cleated Clad Drip Edge with TPO Cover Strip**

Detail Number:

**T-PE-02**

Submitted By:  
Address:  
Telephone:

Project:  
Address:



**NOTES:**

1. IB TPO EDGE METAL TO BE FASTENED WITH RING SHANK NAILS AT 4" O.C. STAGGERED, OR WITH IB FASTENERS AT 12" O.C.
2. SECURE FLASHINGS AND METAL WORK IN ACCORDANCE WITH IB SPECIFICATIONS AND FLASHING SECUREMENT TABLE.
3. MAXIMUM WARRANTY TERM LIMITED TO TWENTY (20) YEARS ON TPO CLAD METAL.

Scale:  
NTS

Detail Name:

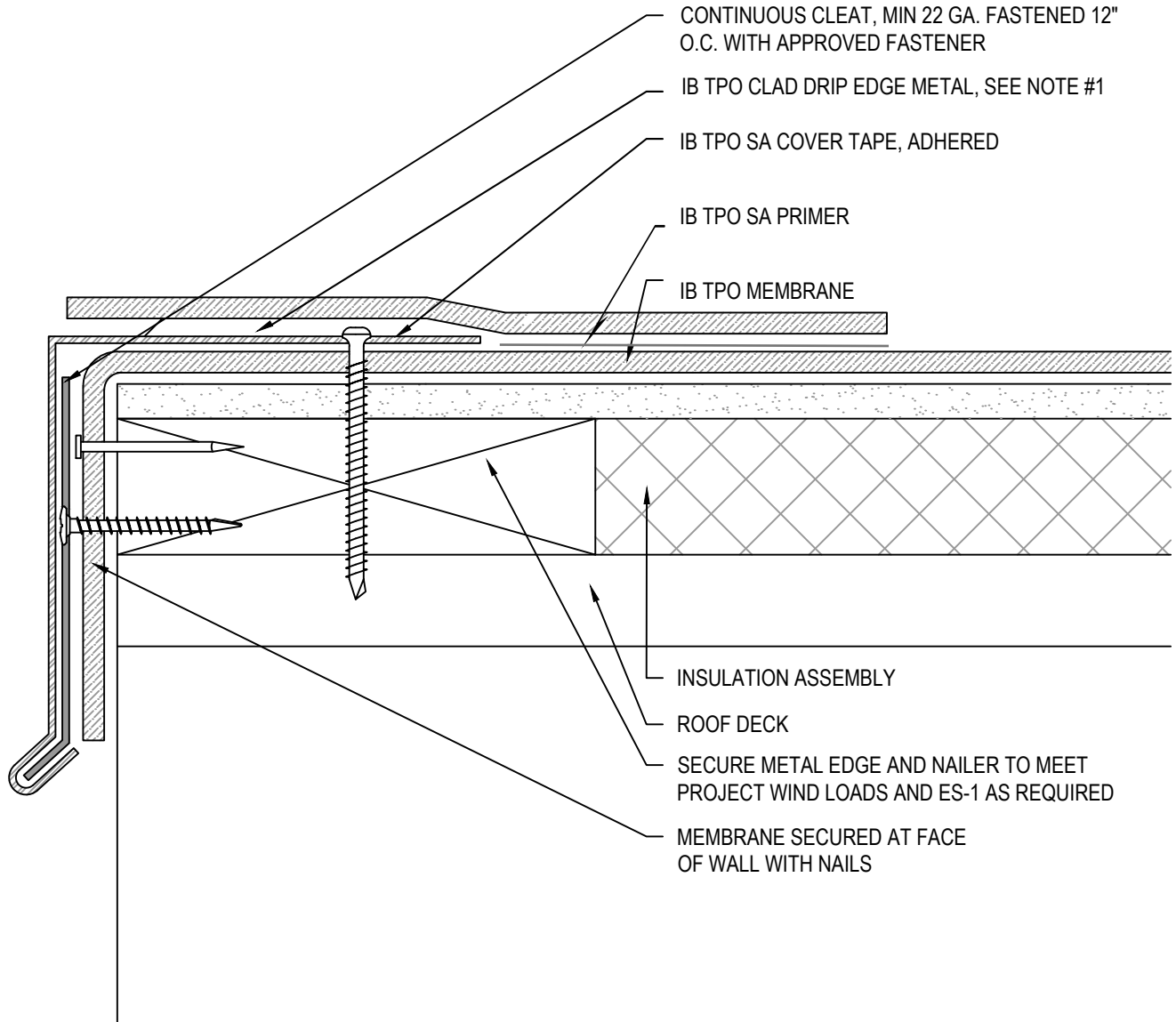
**IB TPO Clad Drip Edge with TPO SA Cover Tape**

Detail Number:

**T-PE-03**

Submitted By:  
Address:  
Telephone:

Project:  
Address:



**NOTES:**

1. IB TPO EDGE METAL TO BE FASTENED WITH RING SHANK NAILS AT 4" O.C. STAGGERED, OR WITH IB FASTENERS AT 12" O.C.
2. CONFORMS WITH ES-1 WHEN USED IN ACCORDANCE WITH TESTED IB METAL EDGE ASSEMBLY.
3. SECURE FLASHINGS AND METAL WORK IN ACCORDANCE WITH IB SPECIFICATIONS AND FLASHING SECUREMENT TABLE.
4. MAXIMUM WARRANTY TERM LIMITED TO TWENTY (20) YEARS ON TPO CLAD METAL.

Scale:  
NTS

Detail Name:

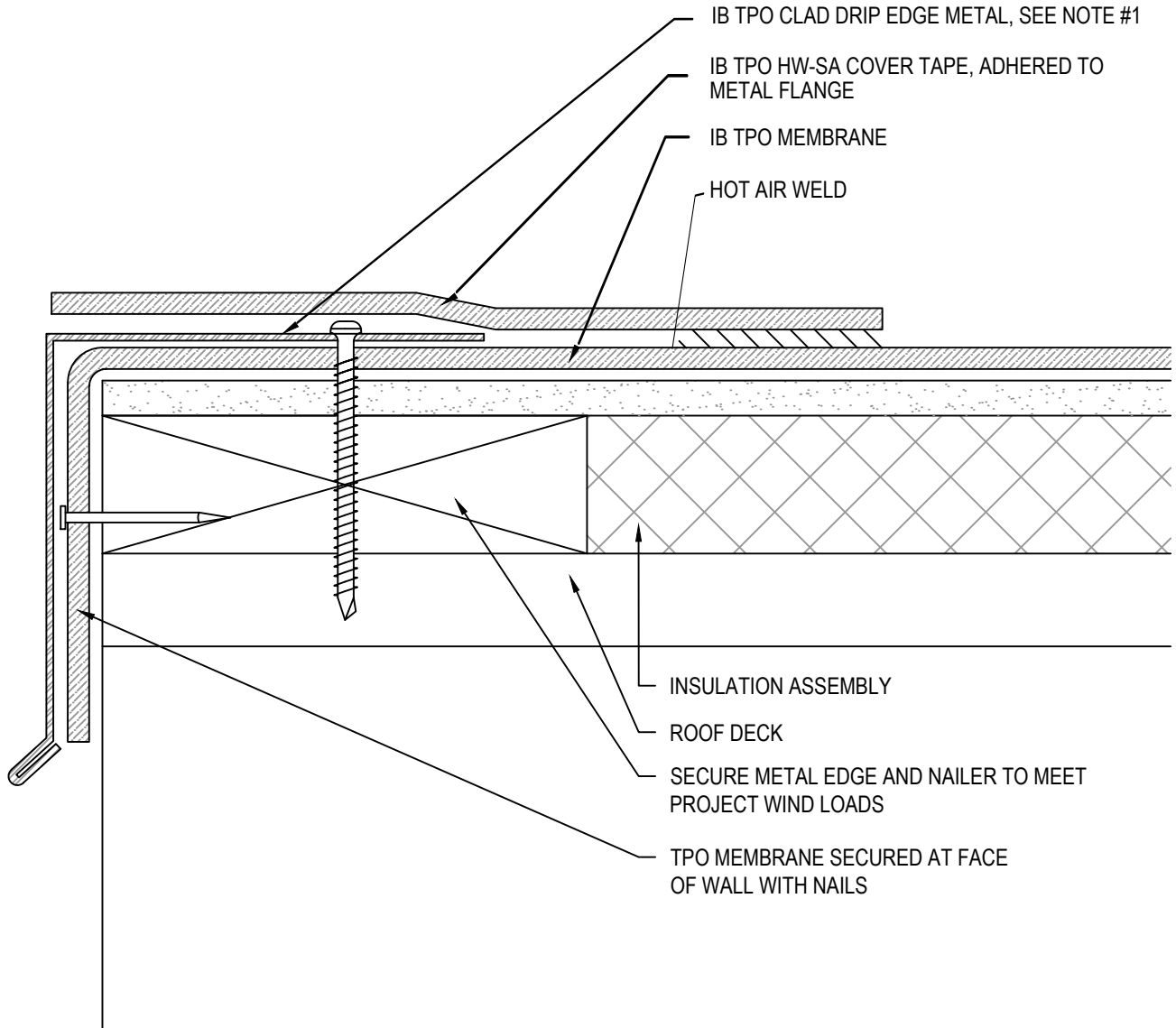
**IB TPO Cleated Clad Drip Edge with TPO SA Cover Tape**

Detail Number:

**T-PE-04**

Submitted By:  
Address:  
Telephone:

Project:  
Address:



NOTES:

1. IB TPO EDGE METAL TO BE FASTENED WITH RING SHANK NAILS AT 4" O.C. STAGGERED, OR WITH IB FASTENERS AT 12" O.C.
2. SECURE FLASHINGS AND METAL WORK IN ACCORDANCE WITH IB SPECIFICATIONS AND FLASHING SECUREMENT TABLE.
3. MAXIMUM WARRANTY TERM LIMITED TO TWENTY (20) YEARS ON TPO CLAD METAL.

Scale:  
NTS

Detail Name:

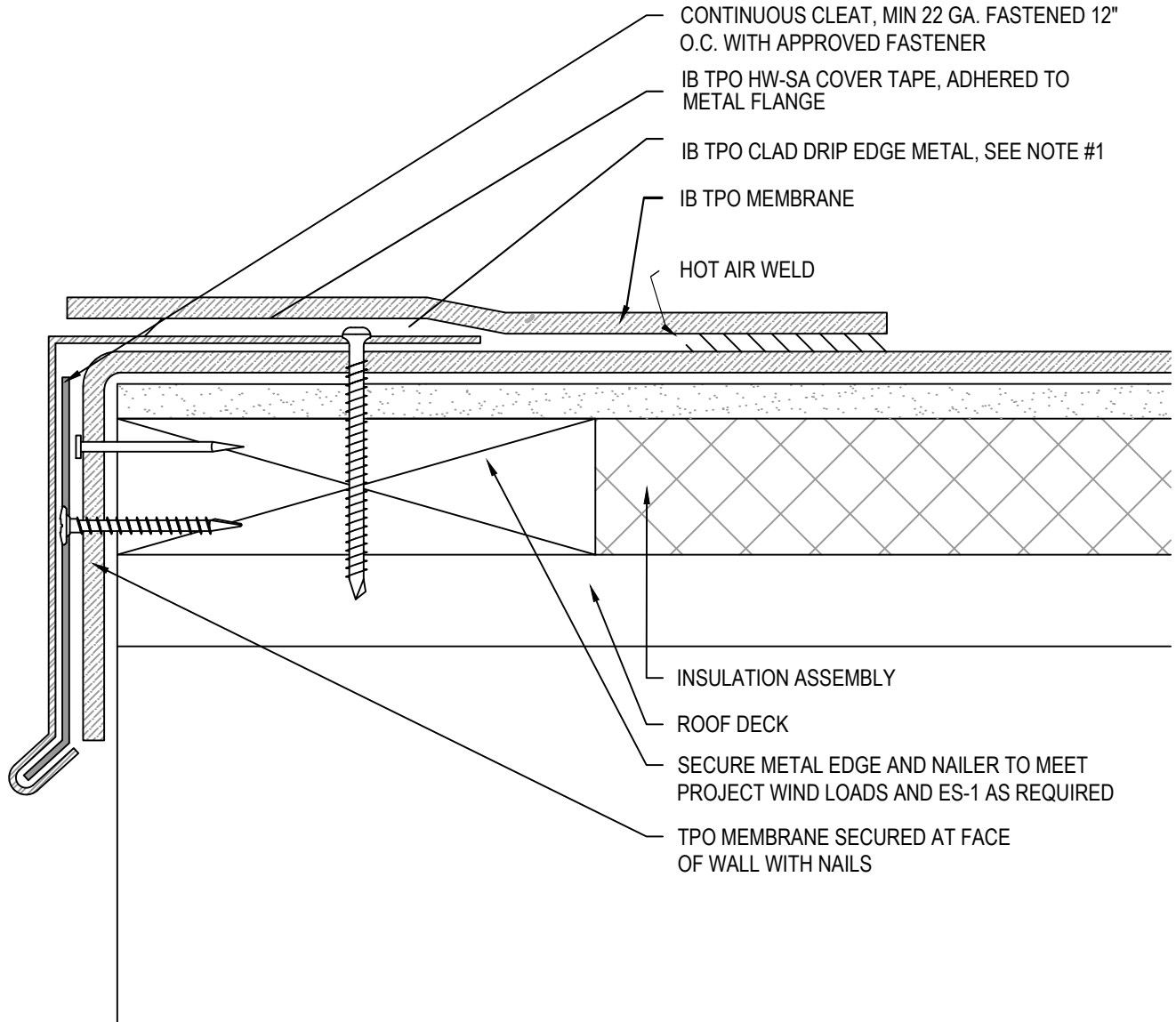
**IB TPO Clad Drip Edge with TPO HW-SA Cover Tape**

Detail Number:

**T-PE-05**

Submitted By:  
Address:  
Telephone:

Project:  
Address:



**NOTES:**

1. IB TPO EDGE METAL TO BE FASTENED WITH RING SHANK NAILS AT 4" O.C. STAGGERED, OR WITH IB FASTENERS AT 12" O.C.
2. CONFORMS WITH ES-1 WHEN USED IN ACCORDANCE WITH TESTED IB METAL EDGE ASSEMBLY.
3. SECURE FLASHINGS AND METAL WORK IN ACCORDANCE WITH IB SPECIFICATIONS AND FLASHING SECUREMENT TABLE.
4. MAXIMUM WARRANTY TERM LIMITED TO TWENTY (20) YEARS ON TPO CLAD METAL.

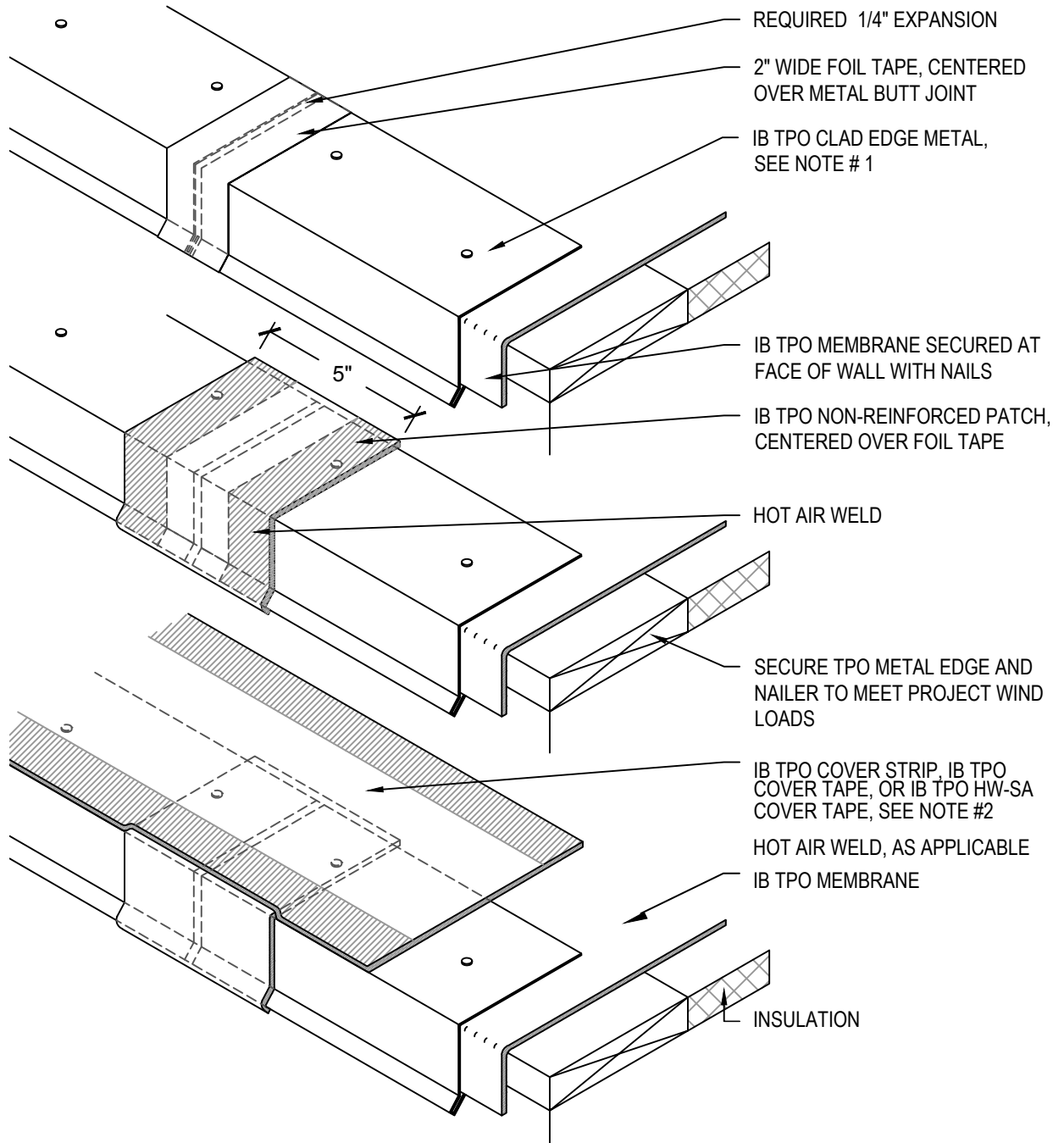
Scale:  
NTS

Detail Name:  
**IB TPO Cleated Clad Drip Edge with TPO HW-SA Cover Tape**

Detail Number:  
**T-PE-06**

Submitted By:  
Address:  
Telephone:

Project:  
Address:



NOTES:

1. IB TPO EDGE METAL TO BE FASTENED WITH RING SHANK NAILS AT 4" O.C. STAGGERED, OR WITH IB FASTENERS AT 12" O.C.
2. REFER TO NOTES ON T-PE-01, T-PE-03, OR T-PE-05 AS APPLICABLE

Scale:  
NTS

Detail Name:

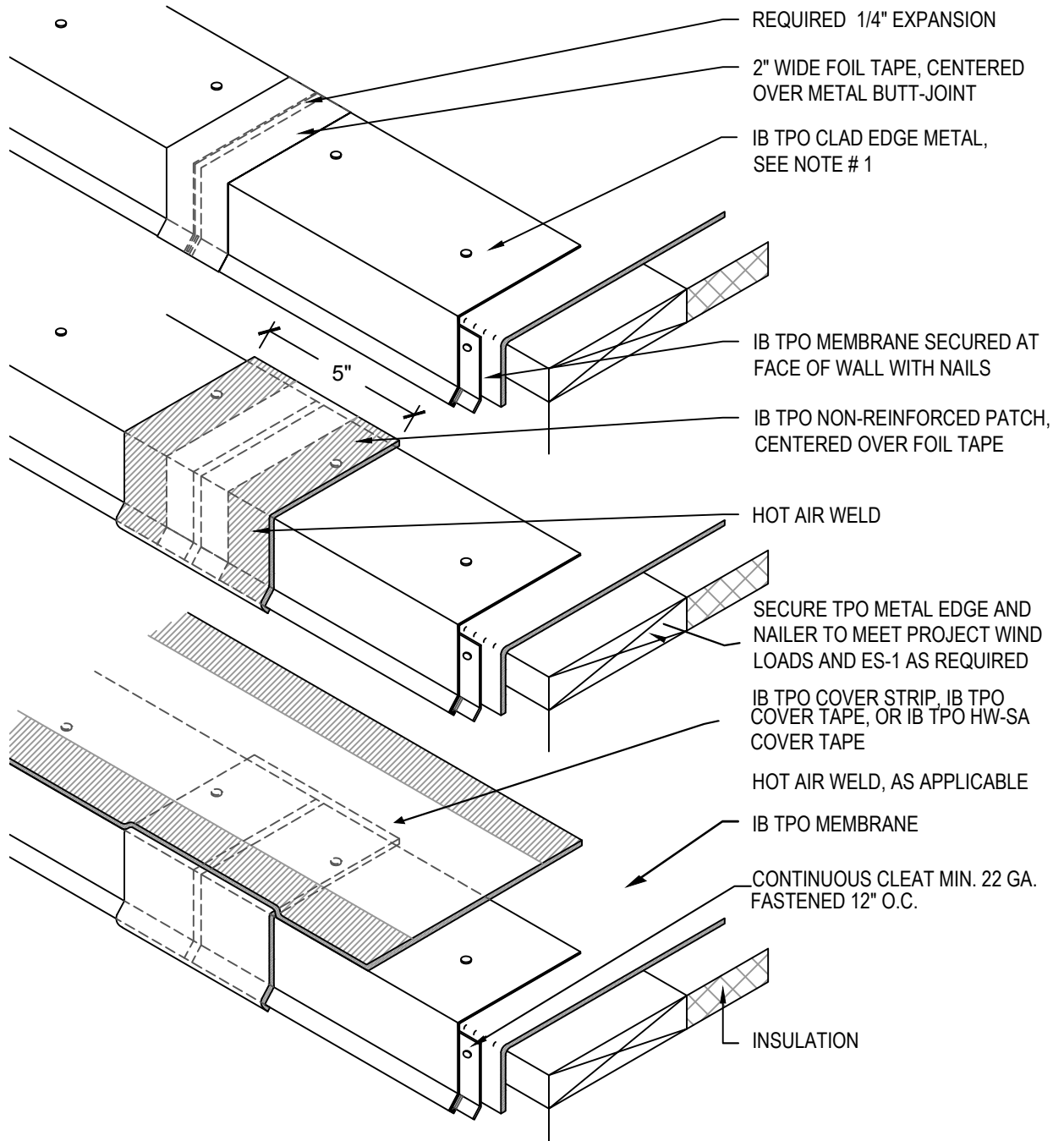
**IB TPO Clad Metal Butt-Joint**

Detail Number:

**T-PE-07**

Submitted By:  
Address:  
Telephone:

Project:  
Address:



NOTES:

1. IB TPO EDGE METAL TO BE FASTENED WITH RING SHANK NAILS AT 4" O.C. STAGGERED, OR WITH IB FASTENERS AT 12" O.C.
2. REFER TO NOTES ON T-PE-02, T-PE-04, OR T-PE-06 AS APPLICABLE.

Scale:  
NTS

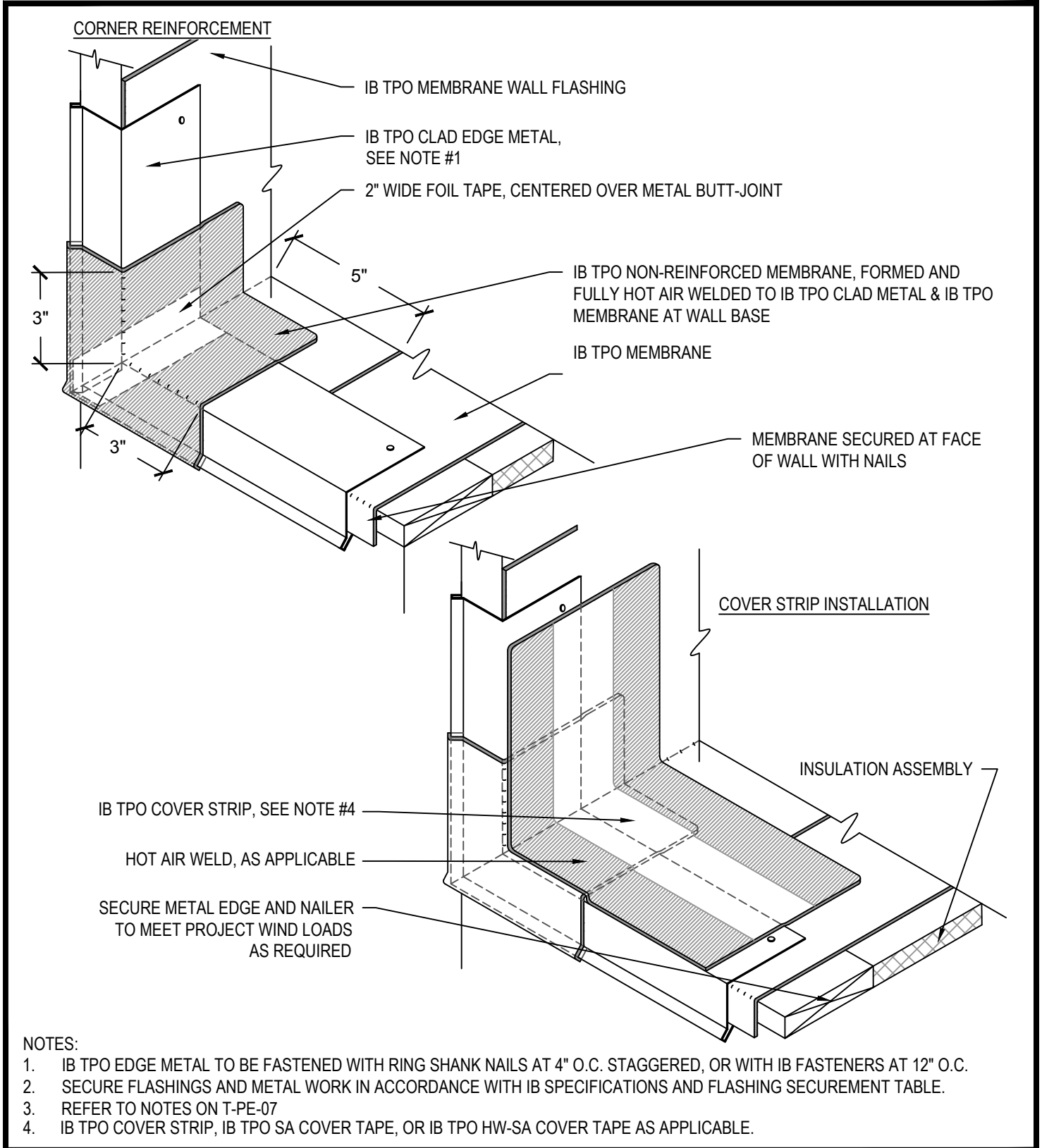
Detail Name:

**IB TPO Cleated Clad Metal Butt-Joint**

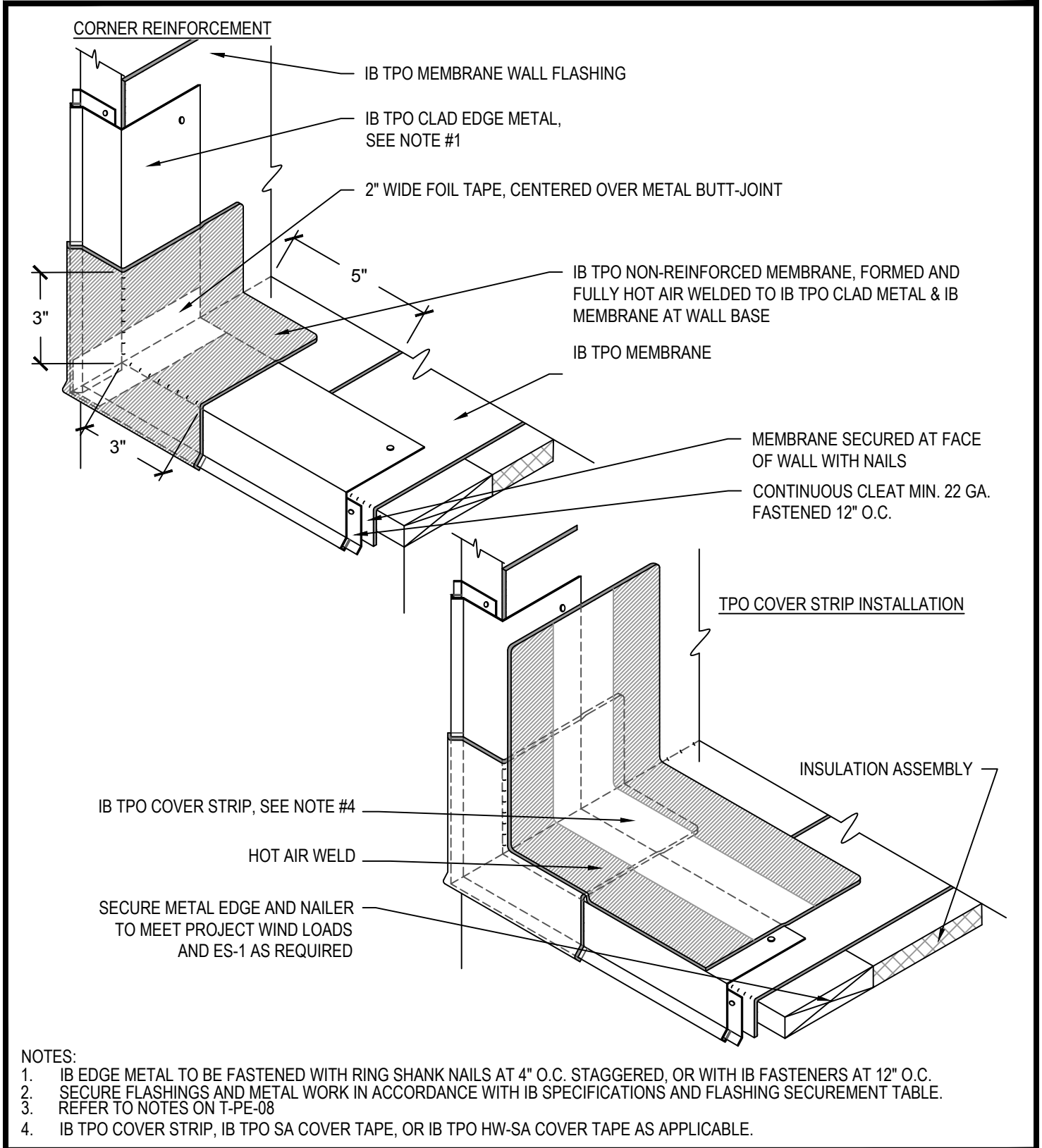
Detail Number:  
**T-PE-08**

Submitted By:  
Address:  
Telephone:

Project:  
Address:



Scale: NTS	Detail Name: <b>IB TPO Clad Edge Metal Corner Termination</b>	Detail Number: <b>T-PE-09</b>
Submitted By: Address: Telephone:	Project: Address:	



Scale:  
NTS

Detail Name:

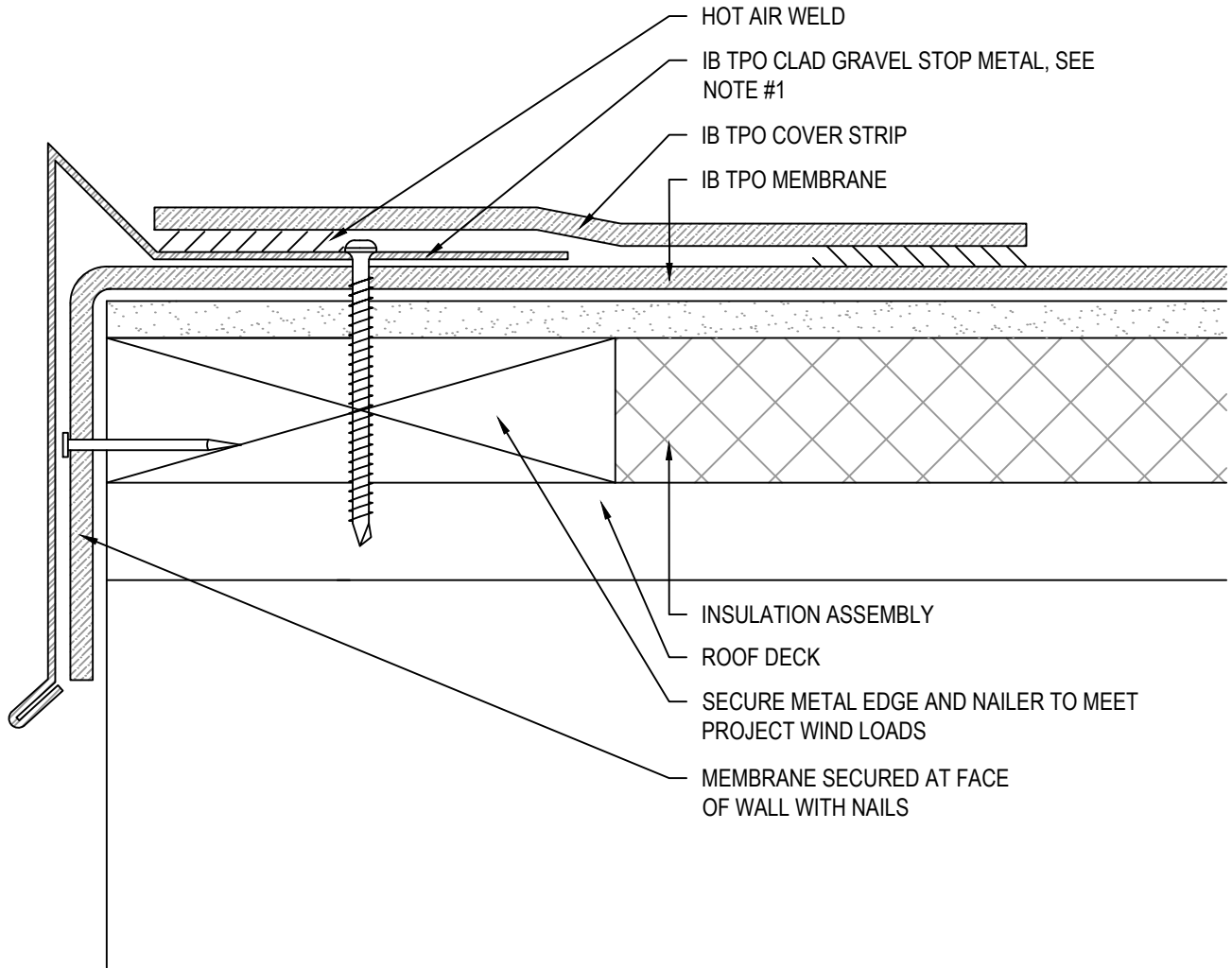
**IB TPO Cleated Clad Edge Metal Corner Termination**

Detail Number:

**T-PE-10**

Submitted By:  
Address:  
Telephone:

Project:  
Address:



**NOTES:**

1. IB TPO EDGE METAL TO BE FASTENED WITH RING SHANK NAILS AT 4" O.C. STAGGERED, OR WITH IB FASTENERS AT 12" O.C.
2. SECURE FLASHINGS AND METAL WORK IN ACCORDANCE WITH IB SPECIFICATIONS AND FLASHING SECUREMENT TABLE.
3. MAXIMUM WARRANTY TERM LIMITED TO TWENTY (20) YEARS ON TPO CLAD METAL.

Scale:  
NTS

Detail Name:

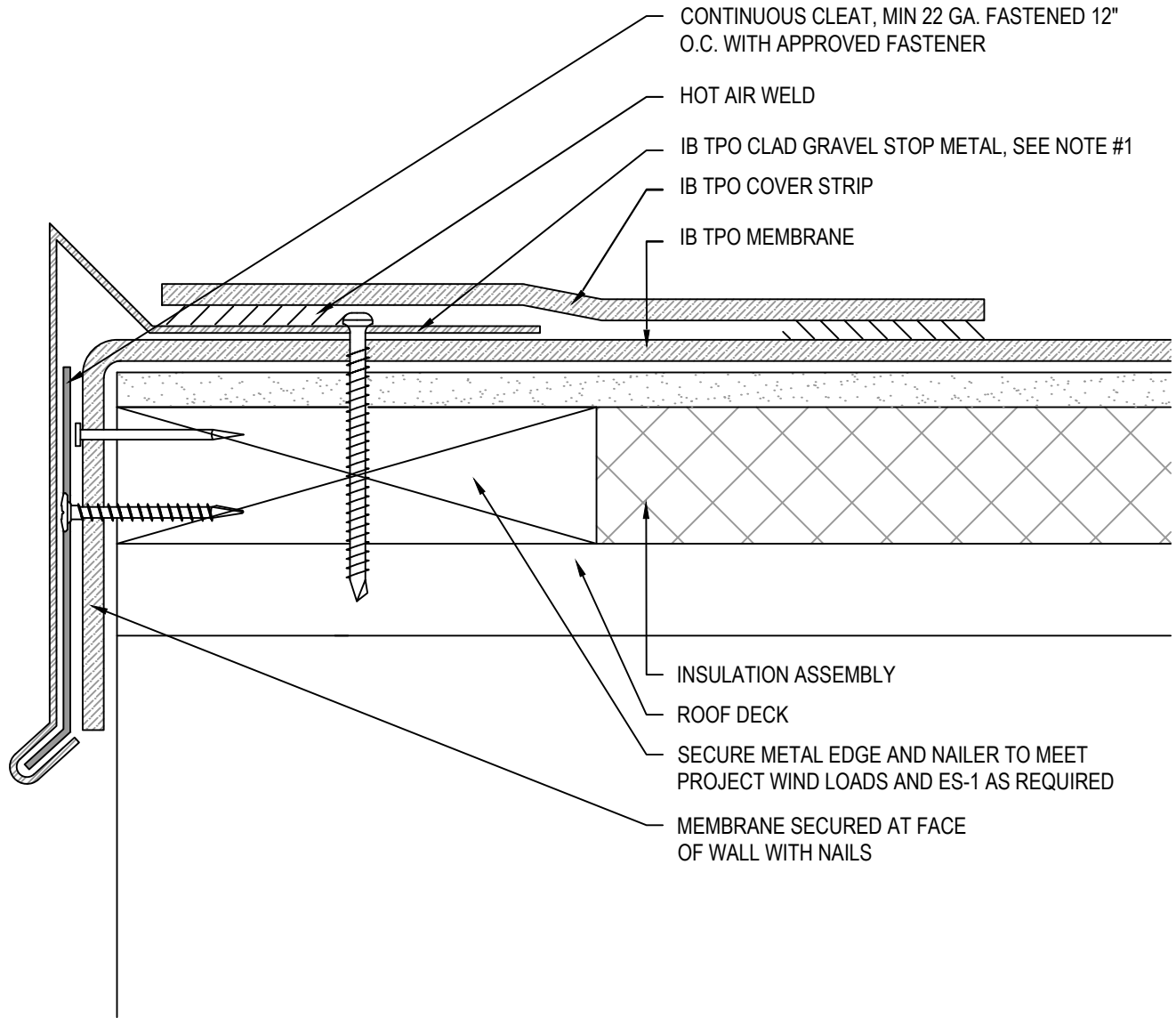
**IB TPO Clad Gravel Stop Edge with TPO Cover Strip**

Detail Number:

**T-PE-11**

Submitted By:  
Address:  
Telephone:

Project:  
Address:



**NOTES:**

1. IB TPO EDGE METAL TO BE FASTENED WITH RING SHANK NAILS AT 4" O.C. STAGGERED, OR WITH IB FASTENERS AT 12" O.C.
2. CONFORMS WITH ES-1 WHEN USED IN ACCORDANCE WITH TESTED IB METAL EDGE ASSEMBLY
3. SECURE FLASHINGS AND METAL WORK IN ACCORDANCE WITH IB SPECIFICATIONS AND FLASHING SECUREMENT TABLE.
4. MAXIMUM WARRANTY TERM LIMITED TO TWENTY (20) YEARS ON TPO CLAD METAL.

Scale:  
NTS

Detail Name:

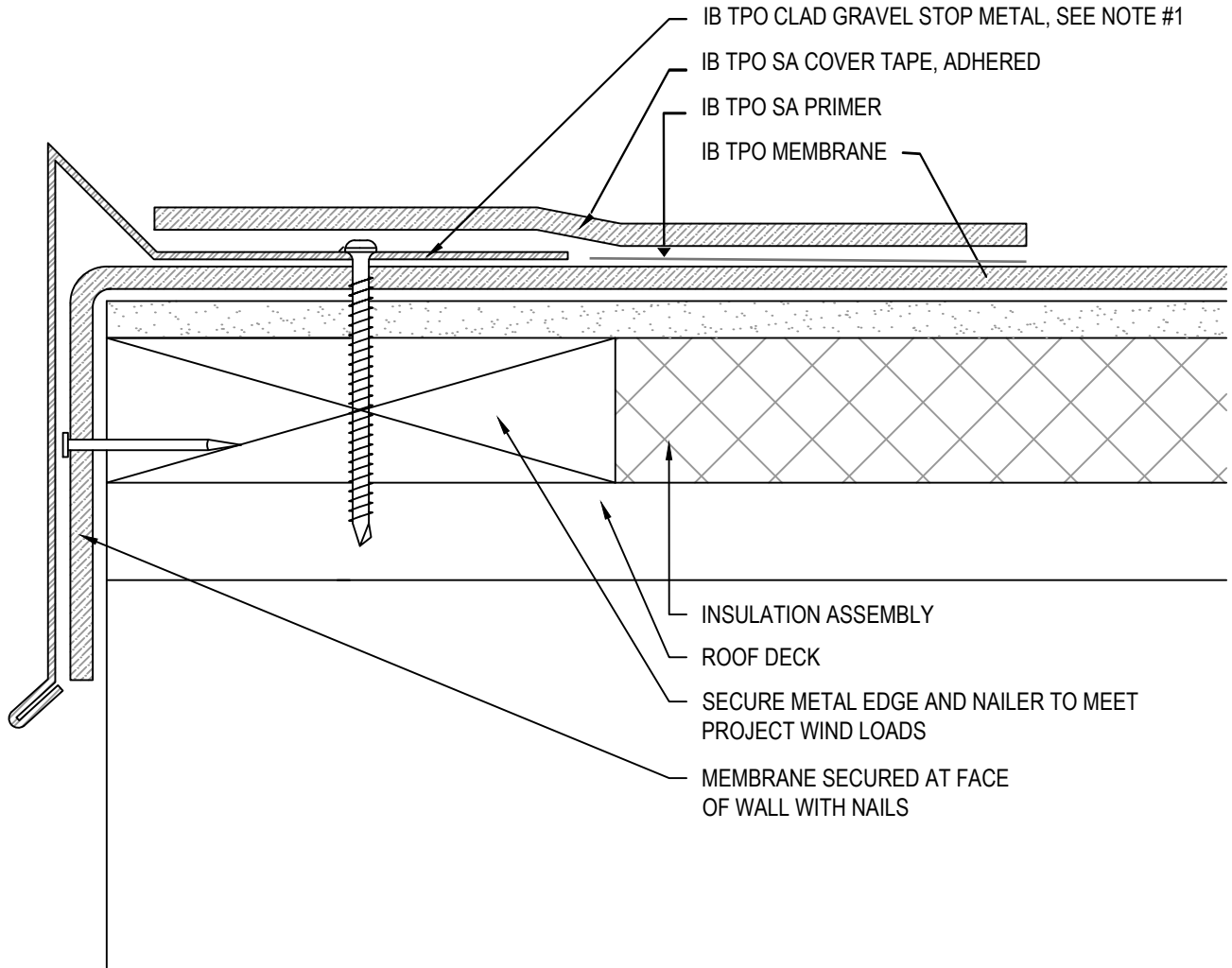
**IB TPO Cleated Clad Gravel Stop Edge with TPO Cover Strip**

Detail Number:

**T-PE-12**

Submitted By:  
Address:  
Telephone:

Project:  
Address:



NOTES:

1. IB TPO EDGE METAL TO BE FASTENED WITH RING SHANK NAILS AT 4" O.C. STAGGERED, OR WITH IB FASTENERS AT 12" O.C.
2. SECURE FLASHINGS AND METAL WORK IN ACCORDANCE WITH IB SPECIFICATIONS AND FLASHING SECUREMENT TABLE.
3. MAXIMUM WARRANTY TERM LIMITED TO TWENTY (20) YEARS ON TPO CLAD METAL.

Scale:

NTS

Detail Name:

**IB TPO Clad Gravel Stop Edge with TPO SA Cover Tape**

Detail Number:

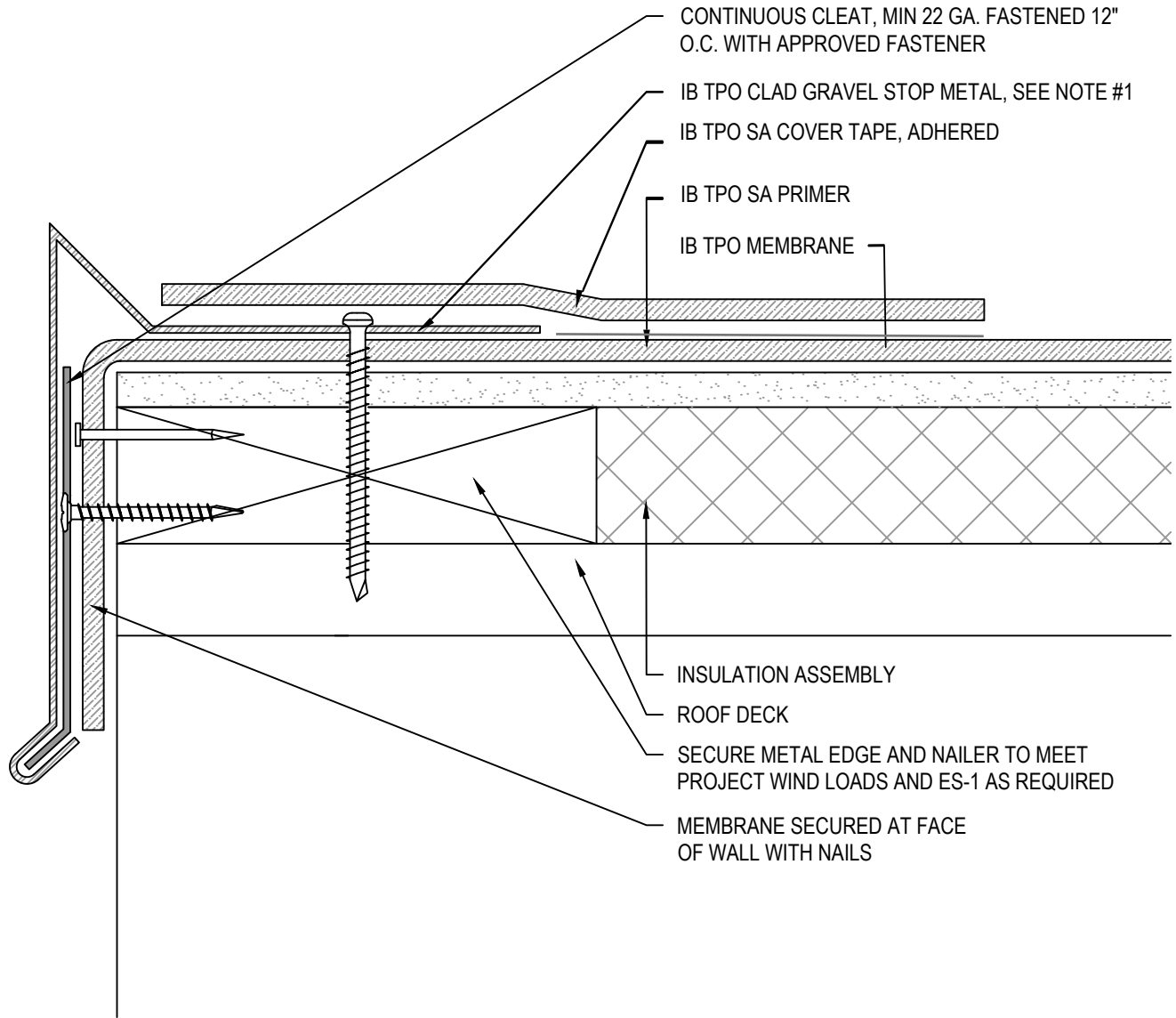
**T-PE-13**

Submitted By:

Address:  
Telephone:

Project:

Address:



**NOTES:**

1. IB TPO EDGE METAL TO BE FASTENED WITH RING SHANK NAILS AT 4" O.C. STAGGERED, OR WITH IB FASTENERS AT 12" O.C.
2. CONFORMS WITH ES-1 WHEN USED IN ACCORDANCE WITH TESTED IB METAL EDGE ASSEMBLY
3. SECURE FLASHINGS AND METAL WORK IN ACCORDANCE WITH IB SPECIFICATIONS AND FLASHING SECUREMENT TABLE.
4. MAXIMUM WARRANTY TERM LIMITED TO TWENTY (20) YEARS ON TPO CLAD METAL.

Scale:

NTS

Detail Name:

**IB TPO Cleated Clad Gravel Stop Edge**

Detail Number:

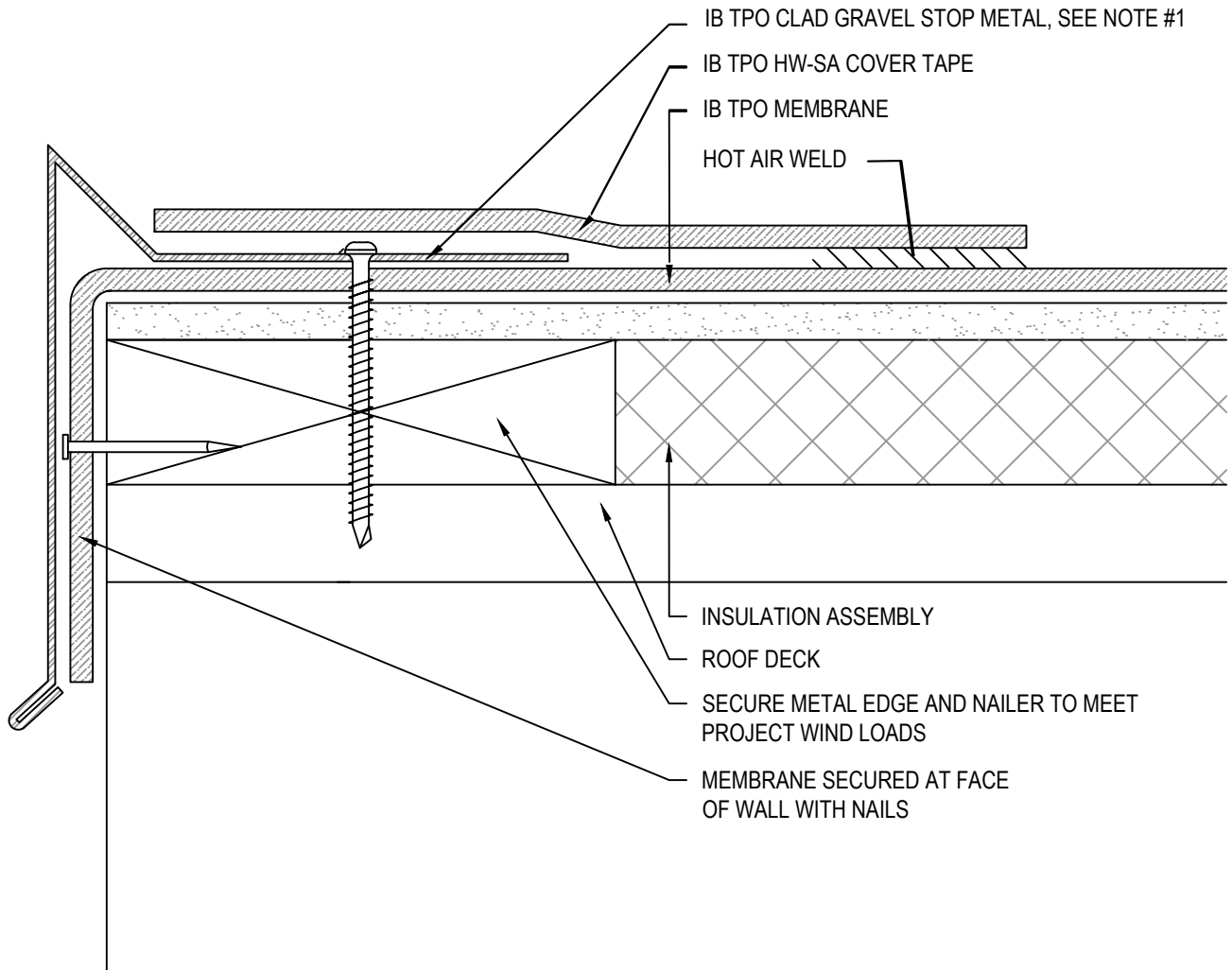
**T-PE-12**

Submitted By:

Address:  
Telephone:

Project:

Address:



NOTES:

1. IB TPO EDGE METAL TO BE FASTENED WITH RING SHANK NAILS AT 4" O.C. STAGGERED, OR WITH IB FASTENERS AT 12" O.C.
2. SECURE FLASHINGS AND METAL WORK IN ACCORDANCE WITH IB SPECIFICATIONS AND FLASHING SECUREMENT TABLE.
3. MAXIMUM WARRANTY TERM LIMITED TO TWENTY (20) YEARS ON TPO CLAD METAL.

Scale:  
NTS

Detail Name:

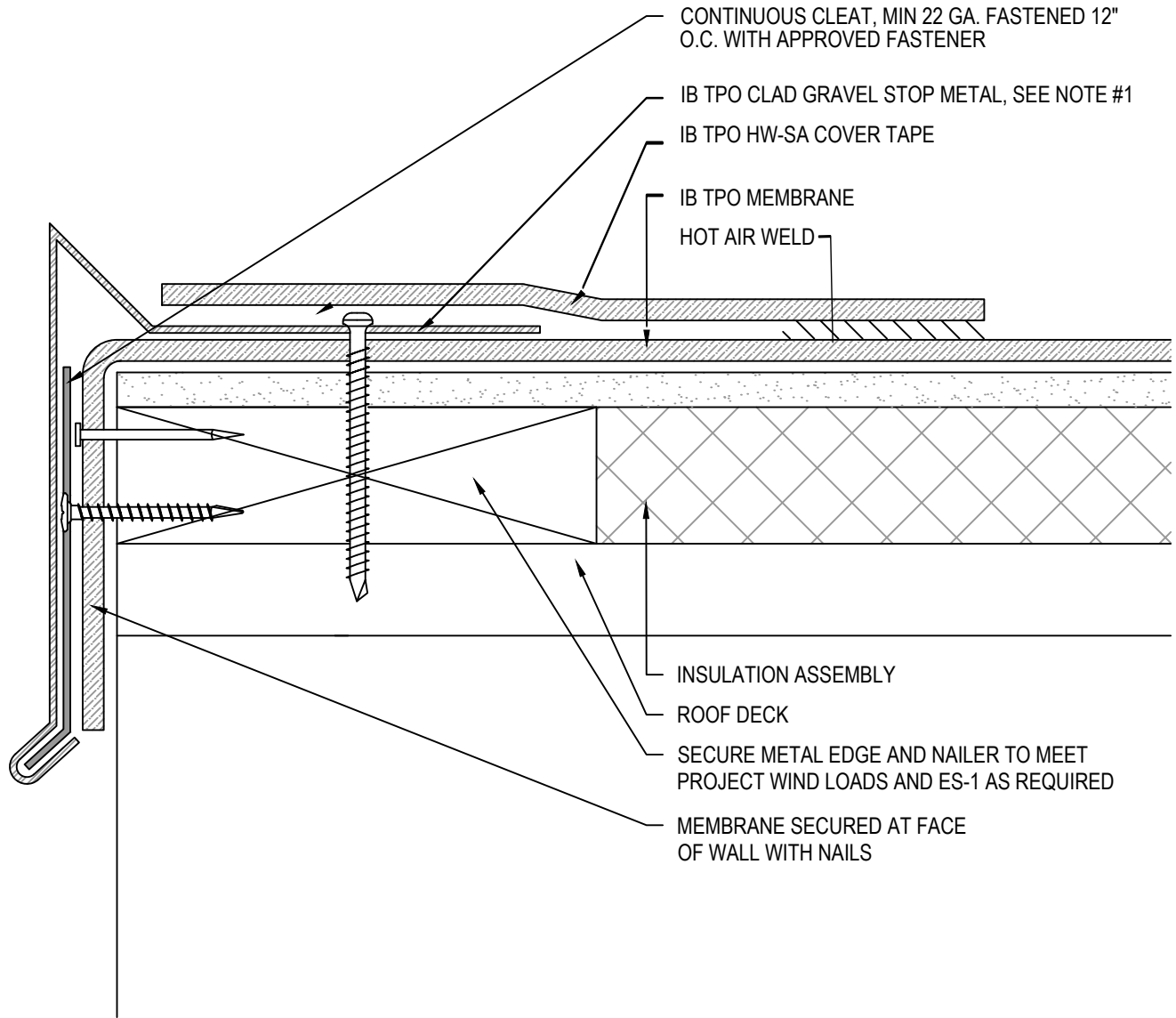
**IB TPO Clad Gravel Stop Edge with TPO HW-SA Cover Tape**

Detail Number:

**T-PE-15**

Submitted By:  
Address:  
Telephone:

Project:  
Address:



**NOTES:**

1. IB TPO EDGE METAL TO BE FASTENED WITH RING SHANK NAILS AT 4" O.C. STAGGERED, OR WITH IB FASTENERS AT 12" O.C.
2. CONFORMS WITH ES-1 WHEN USED IN ACCORDANCE WITH TESTED IB METAL EDGE ASSEMBLY
3. SECURE FLASHINGS AND METAL WORK IN ACCORDANCE WITH IB SPECIFICATIONS AND FLASHING SECUREMENT TABLE.
4. MAXIMUM WARRANTY TERM LIMITED TO TWENTY (20) YEARS ON TPO CLAD METAL.

Scale:  
NTS

Detail Name:

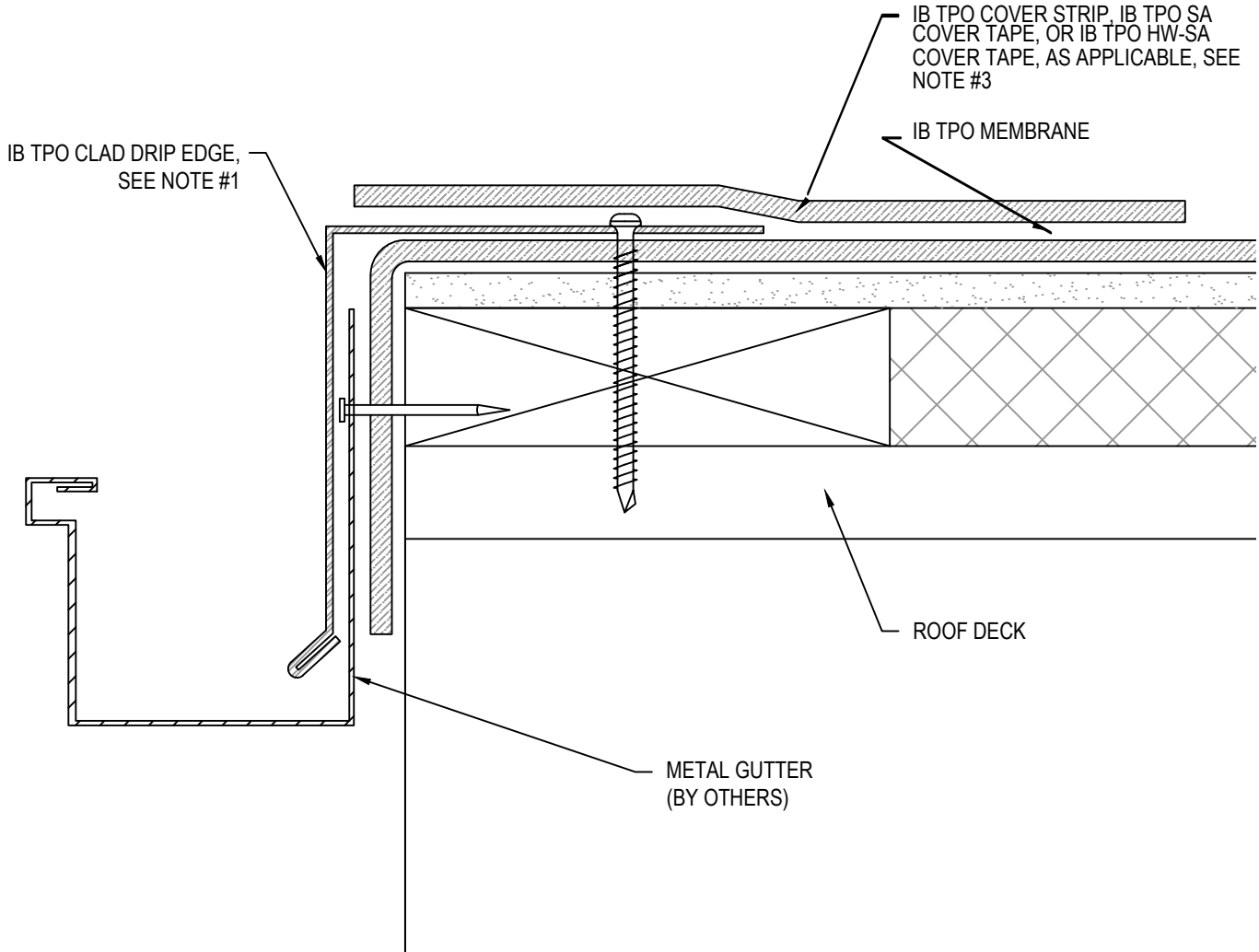
**IB TPO Cleated Clad Gravel Stop Edge with HW-SA Cover Tape**

Detail Number:

**T-PE-16**

Submitted By:  
Address:  
Telephone:

Project:  
Address:

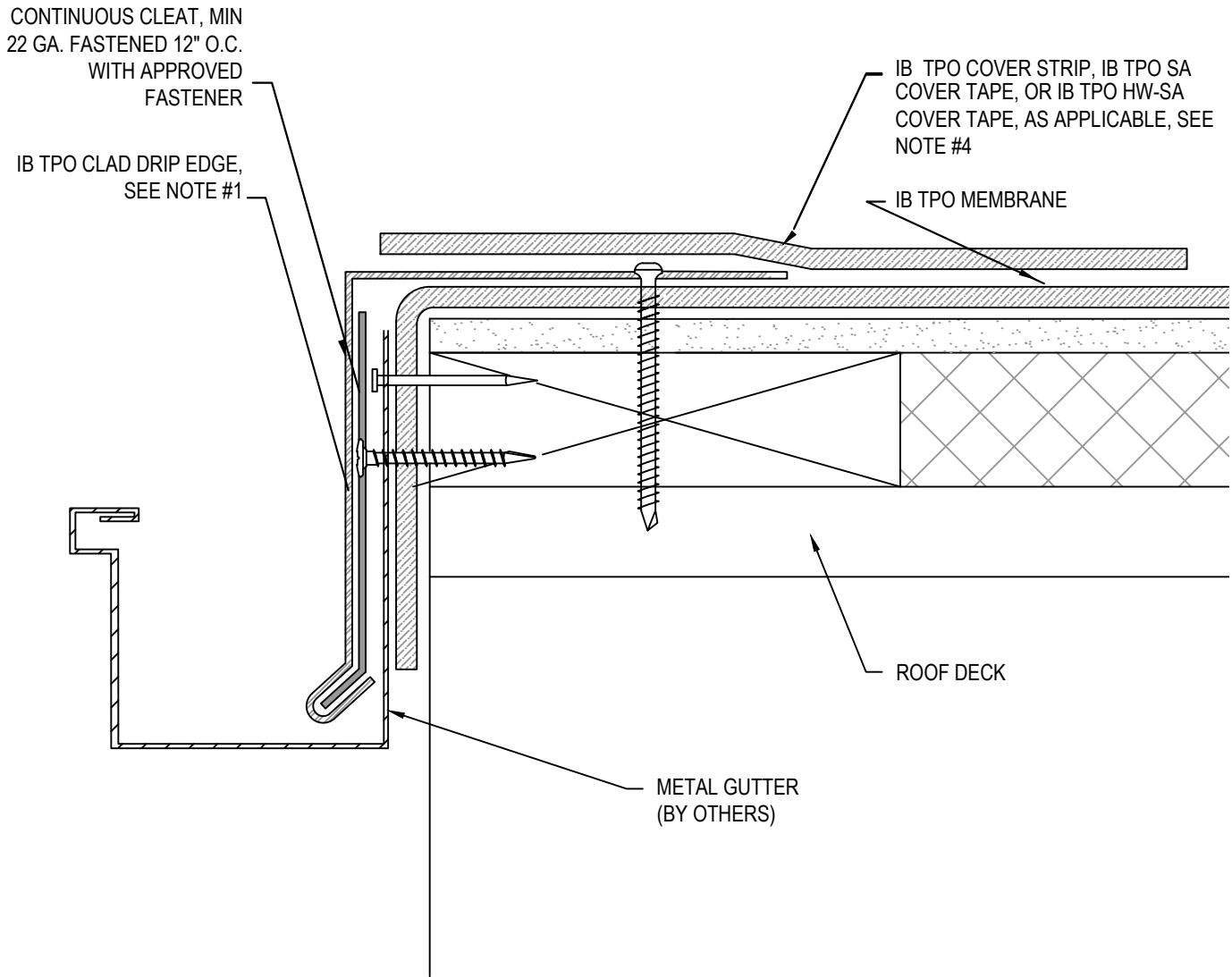


**NOTES:**

1. IB TPO EDGE METAL TO BE FASTENED WITH RING SHANK NAILS AT 4" O.C. STAGGERED, OR WITH IB SD #12 FASTENERS AT 12" O.C.
2. SECURE FLASHINGS AND METAL WORK IN ACCORDANCE WITH IB SPECIFICATIONS AND FLASHING SECUREMENT TABLE.
3. IB TPO COVER STRIP, IB TPO SA COVER TAPE, OR IB TPO HW-SA COVER TAPE AS APPLICABLE. REFER TO RELATED CLAD DRIP EDGE DETAIL.
4. MAXIMUM WARRANTY TERM LIMITED TO TWENTY (20) YEARS ON CLAD METAL.

<b>Scale:</b> NTS	<b>Detail Name:</b> <b>IB TPO Clad Drip Edge with Gutter</b>	<b>Detail Number:</b> <b>T-PE-17</b>
----------------------	---	---

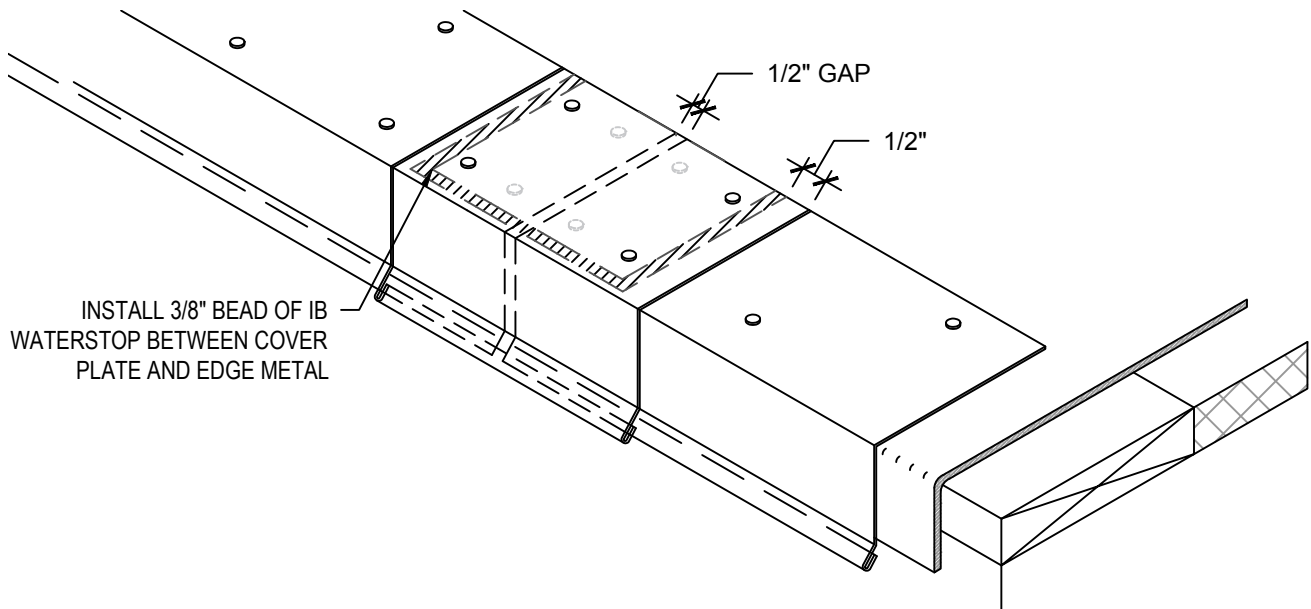
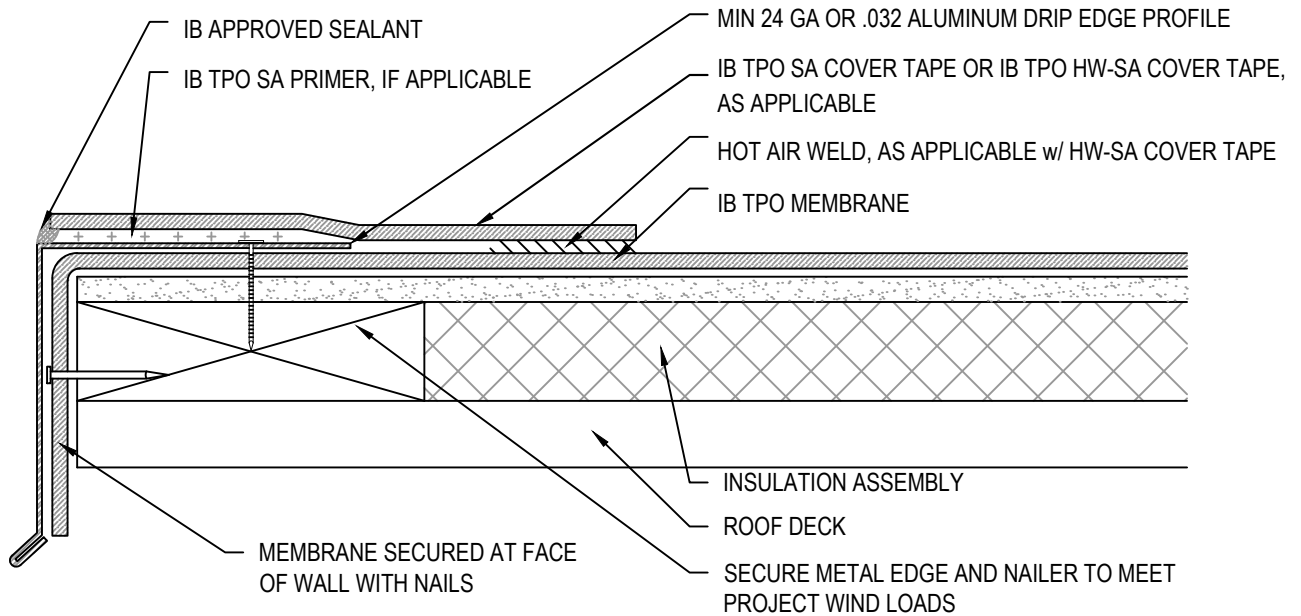
<b>Submitted By:</b> Address: Telephone:	<b>Project:</b> Address:
--	-----------------------------



**NOTES:**

1. IB TPO EDGE METAL TO BE FASTENED WITH RING SHANK NAILS AT 4" O.C. STAGGERED, OR WITH IB FASTENERS AT 12" O.C.
2. CONFORMS WITH ES-1 WHEN USED IN ACCORDANCE WITH TESTED IB METAL EDGE ASSEMBLY.
3. SECURE FLASHINGS AND METAL WORK IN ACCORDANCE WITH IB SPECIFICATIONS AND FLASHING SECUREMENT TABLE.
4. IB TPO COVER STRIP, IB TPO SA COVER TAPE, OR IB TPO HW-SA COVER TAPE AS APPLICABLE. REFER TO RELATED CLEATED CLAD DRIP EDGE DETAIL.
5. MAXIMUM WARRANTY TERM LIMITED TO TWENTY (20) YEARS ON CLAD METAL.

<p><b>Scale:</b> NTS</p>	<p><b>Detail Name:</b> <b>IB TPO Cleated Clad Drip Edge with Gutter</b></p>	<p><b>Detail Number:</b> <b>T-PE-18</b></p>
<p><b>Submitted By:</b> Address: Telephone:</p>		<p><b>Project:</b> Address:</p>

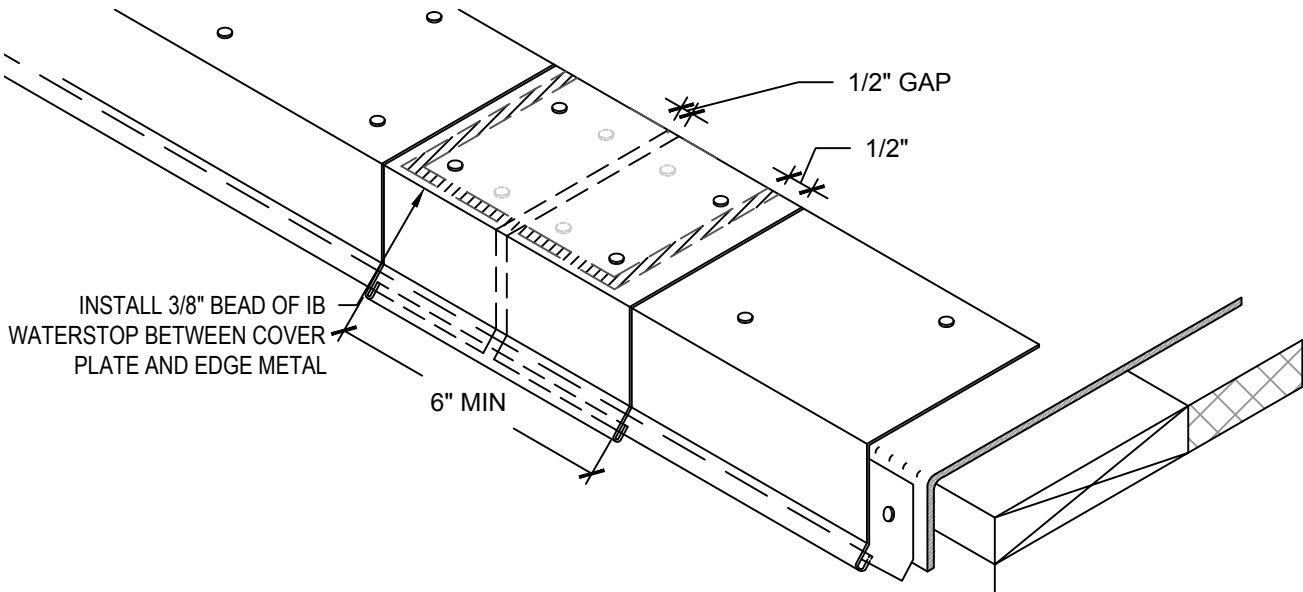
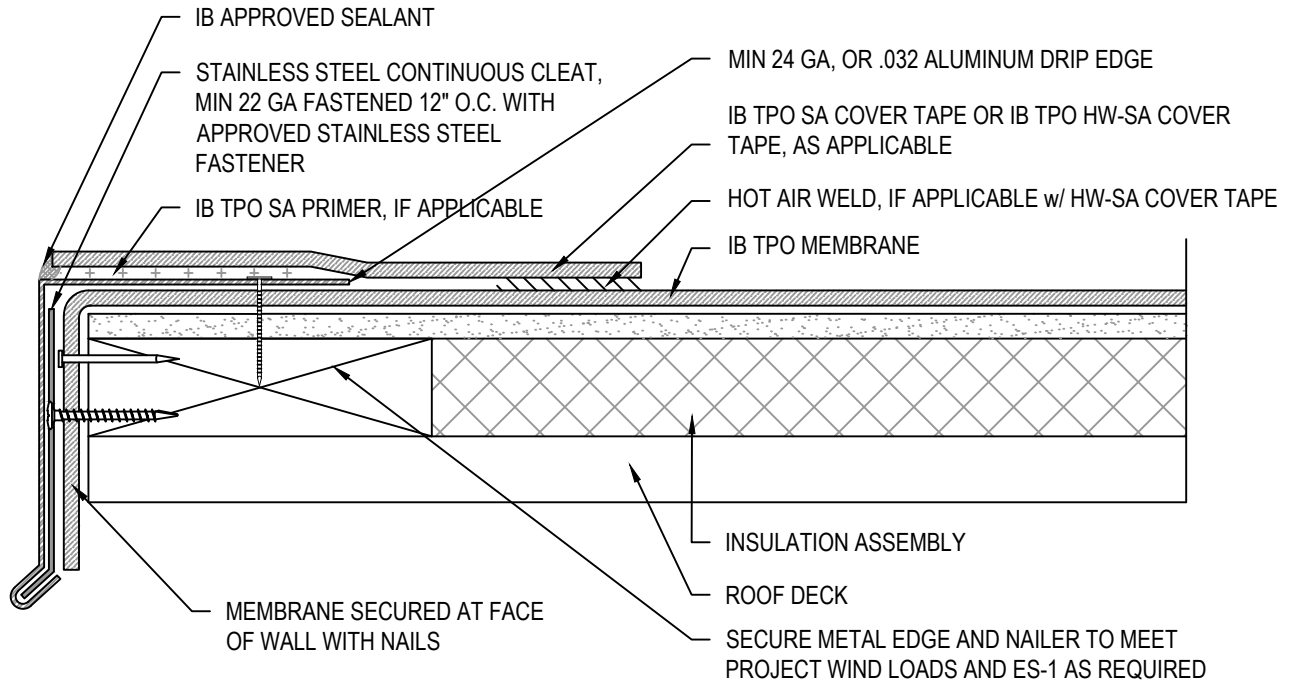


**NOTES:**

1. NON-CLAD EDGE METAL TO BE FASTENED WITH STAINLESS STEEL NAILS AT 4" O.C. STAGGERED OR WITH IB HD #14 FASTENERS AT 12" O.C.
2. SECURE FLASHINGS AND METAL WORK IN ACCORDANCE WITH IB SPECIFICATIONS AND FLASHING SECUREMENT TABLE.
3. CLEAN AND WIPE METAL EDGING PRIOR TO INSTALLATION.
4. IB TPO SA COVER TAPE, OR IB TPO HW-SA COVER TAPE AS APPLICABLE. SEE RELATED APPLICATION ON CLAD DRIP EDGE DETAIL.

<b>Scale:</b> NTS	<b>Detail Name:</b> <b>Drip Edge Profile for Non-Clad Metal</b>	<b>Detail Number:</b> <b>T-PE-19</b>
----------------------	--	---

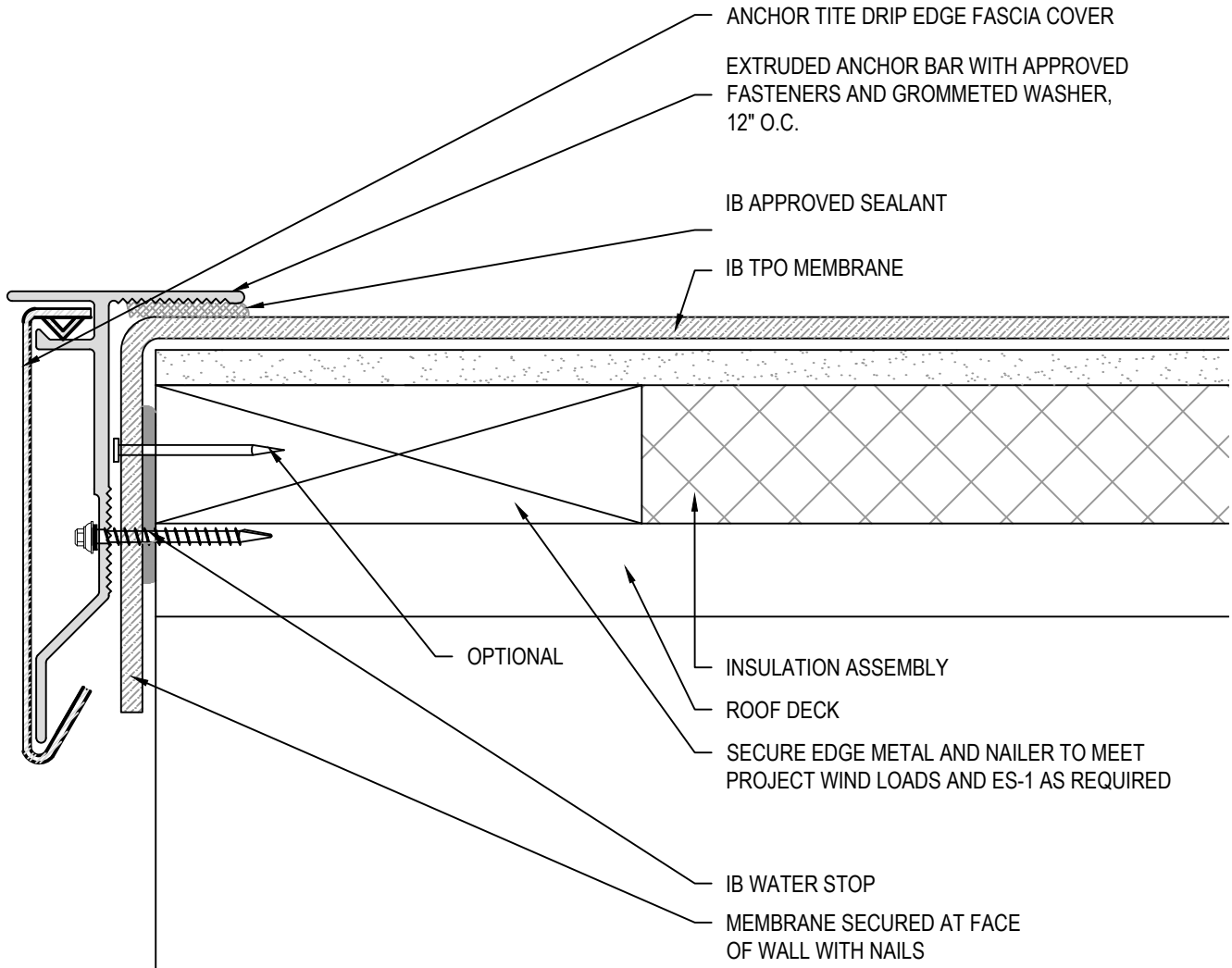
<b>Submitted By:</b> Address: Telephone:	<b>Project:</b> Address:
--	-----------------------------



**NOTES:**

1. EDGE METAL TO BE FASTENED WITH CORRESPONDING STAINLESS STEEL NAILS AT 4" O.C. STAGGERED OR IB HD #14 FASTENERS AT 12" O.C.
2. SECURE FLASHINGS AND METAL WORK IN ACCORDANCE WITH IB SPECIFICATIONS AND FLASHING SECUREMENT TABLE.
3. CLEAN AND WIPE METAL EDGING PRIOR TO INSTALLATION.
4. IB TPO SA COVER TAPE, OR IB TPO HW-SA COVER TAPE AS APPLICABLE. SEE RELATED APPLICATION ON CLAD DRIP EDGE DETAIL.

<p><b>Scale:</b> NTS</p>	<p><b>Detail Name:</b> <b>Cleated Drip Edge Profile for Non-Clad Metal</b></p>	<p><b>Detail Number:</b> <b>T-PE-20</b></p>
<p><b>Submitted By:</b> Address: Telephone:</p>		<p><b>Project:</b> Address:</p>

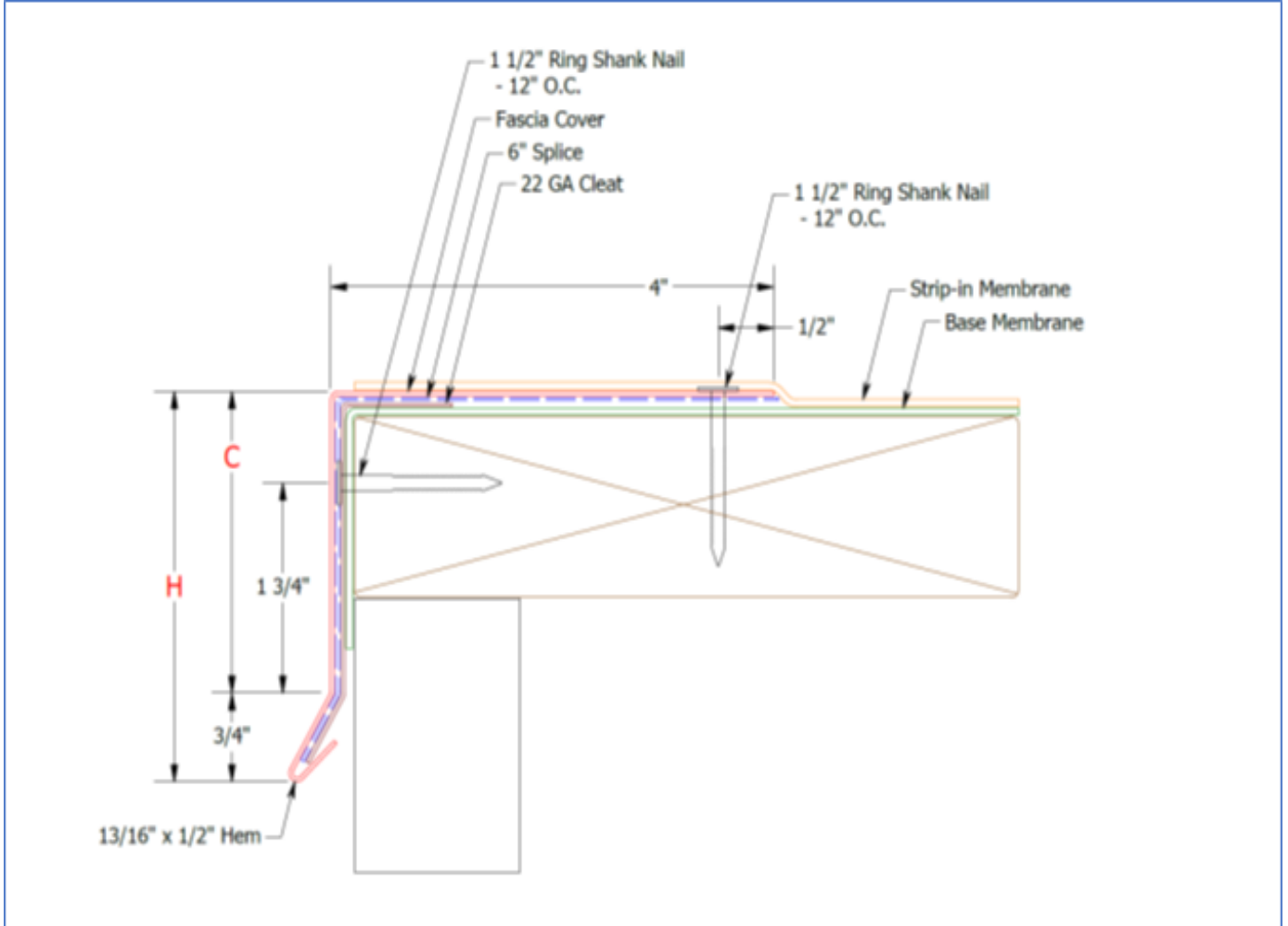


**NOTES:**

1. SEALANT AND CAULKING REQUIRE PERIODIC OWNER MAINTENANCE.
2. SECURE FLASHINGS AND METAL WORK IN ACCORDANCE WITH IB SPECIFICATIONS AND FLASHING SECUREMENT TABLE.
3. INTERNAL DRAINS REQUIRED WITH THIS DETAIL.
4. CONFORMS TO ANSI/SPRI ES-1 WHEN USED IN ACCORDANCE WITH TESTED ASSEMBLY.
5. LIFETIME, 215 MPH WIND WARRANTY AVAILABLE. ELIGIBLE FOR INCLUSION IN IB TOTAL SYSTEM WARRANTY UP TO 30 YEARS BASED ON MEMBRANE THICKNESS AND WARRANTY PROGRAM
6. AVAILABLE IN SEVERAL STANDARD AND SELECT COLORS.

<b>Scale:</b> NTS	<b>Detail Name:</b> <b>ANCHOR TITE DRIP EDGE</b>	<b>Detail Number:</b> <b>T-PE-21</b>
----------------------	---	---

<b>Submitted By:</b> Address: Telephone:	<b>Project:</b> Address:
--	-----------------------------

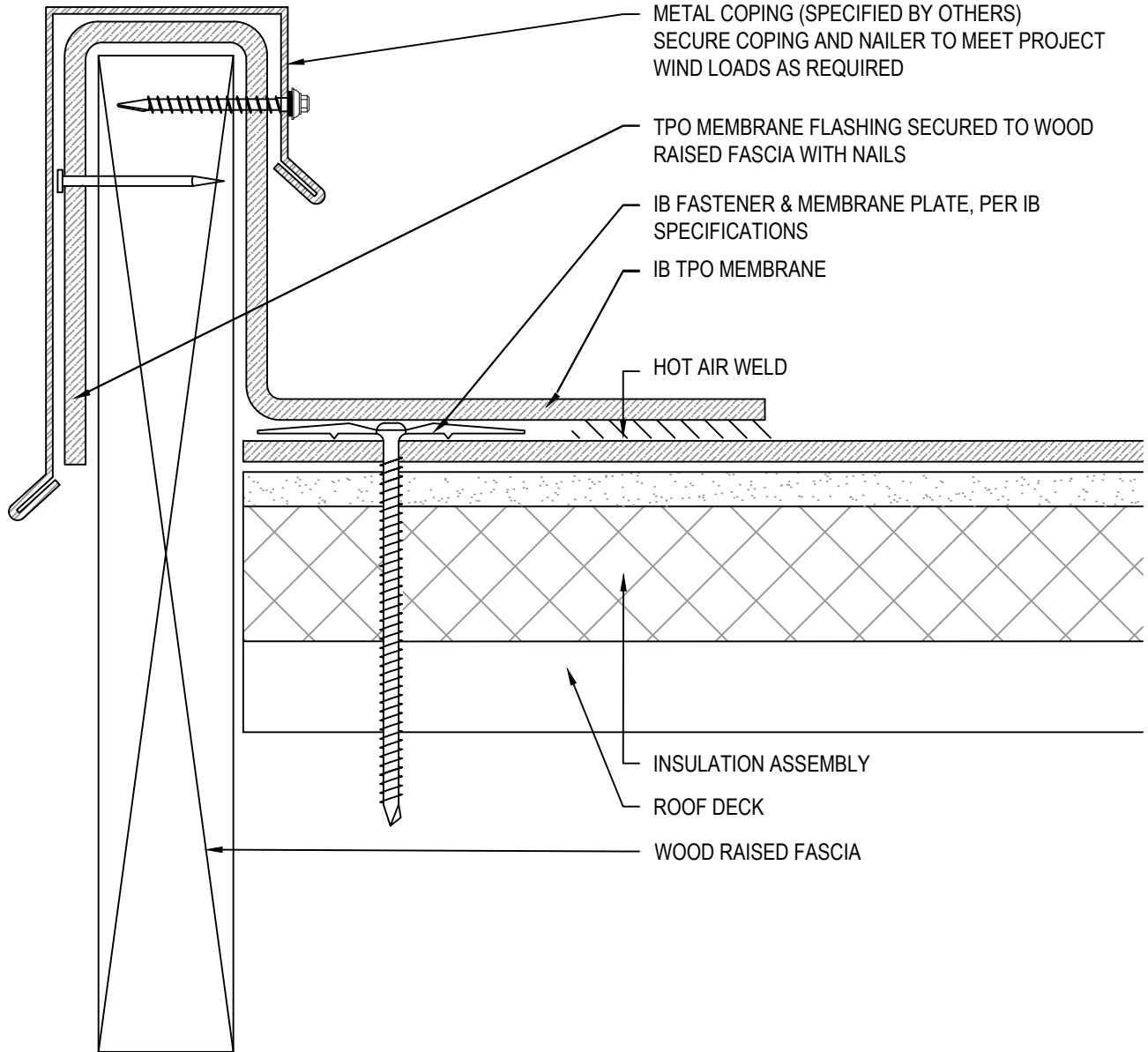


**NOTES:**

1. SEALANT AND CAULKING REQUIRE PERIODIC OWNER MAINTENANCE.
2. SECURE METAL EDGE AND NAILER TO MEET PROJECT WIND LOADS BUT NO LESS THAN WITH STAINLESS STEEL NAILS AT 4" O.C. STAGGERED OR WITH IB HD #14 FASTENERS AT 12" O.C.
3. CLEAN AND WIPE METAL EDGING PRIOR TO INSTALLATION.
4. IB TPO SA COVER TAPE, OR IB TPO HW-SA COVER TAPE AS APPLICABLE. SEE RELATED APPLICATION ON CLAD DRIP EDGE DETAIL.
5. CONFORMS TO ANSI/SPRI ES-1 WHEN USED IN ACCORDANCE WITH TESTED ASSEMBLY.
6. 20 YEAR, 90 MPH WIND WARRANTY AVAILABLE WITH INCLUSION IN IB TOTAL SYSTEM WARRANTY BASED ON MEMBRANE THICKNESS AND WARRANTY PROGRAM
7. AVAILABLE IN SEVERAL STANDARD AND SELECT COLORS.

<b>Scale:</b> NTS	<b>Detail Name:</b> <b>IB Drip Edge Profile with TPO Membrane</b>	<b>Detail Number:</b> <b>T-PE-22</b>
----------------------	--	---

<b>Submitted By:</b> Address: Telephone:	<b>Project:</b> Address:
--	-----------------------------



NOTES:

1. SEALANT AND CAULKING REQUIRE PERIODIC OWNER MAINTENANCE.
2. SECURE FLASHINGS AND METAL WORK IN ACCORDANCE WITH IB SPECIFICATIONS AND FLASHING SECUREMENT TABLE.
3. INTERNAL DRAINS REQUIRED FOR THIS DETAIL.

Scale:  
NTS

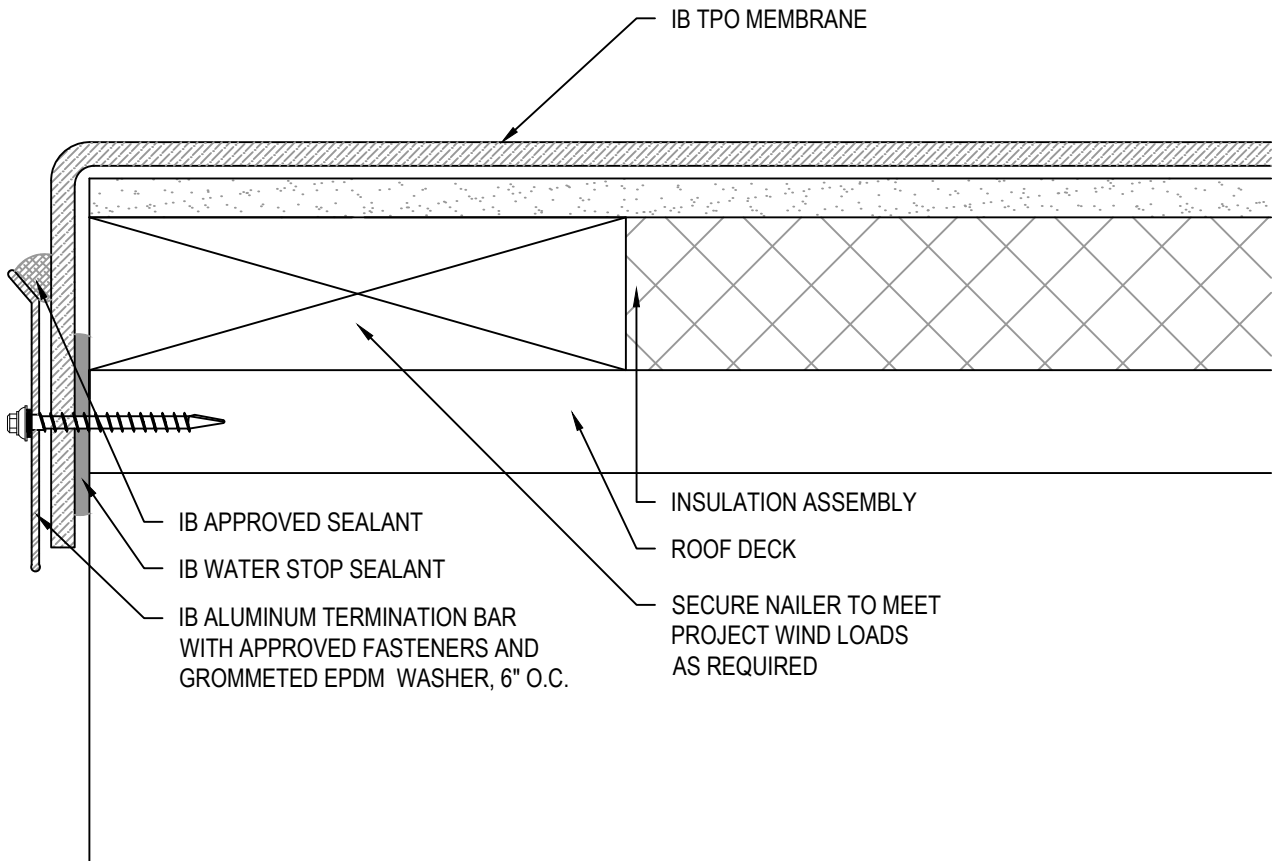
Detail Name:

**Raised Fascia Edge**

Detail Number:  
**T-PE-23**

Submitted By:  
Address:  
Telephone:

Project:  
Address:



**NOTES:**

1. MECHANICALLY ATTACHED APPLICATIONS: INSTALL MAXIMUM 18" WIDE PERIMETER MEMBRANE COURSE ALONG THE BUILDING EDGE OR INSTALL A ROW OF FASTENERS THROUGH MEMBRANE FASTENED AT 12" O.C. AND COVERED WITH TPO COVER STRIP
2. FULLY ADHERED APPLICATIONS: REQUIRE USE OF A PEEL STOP. REFER TO PEEL STOP DETAIL FA-T-21.
3. SEALANTS AND CAULKING REQUIRE PERIODIC OWNER MAINTENANCE.
4. SECURE FLASHINGS AND METAL WORK IN ACCORDANCE WITH IB SPECIFICATIONS AND FLASHING SECUREMENT TABLE.
5. SECURE NAILER TO MEET PROJECT WIND LOADS AS REQUIRED.
6. MAXIMUM WARRANTY TERM LIMITED TO TWENTY (20) YEARS FOR THIS DETAIL.

Scale:  
NTS

Detail Name:

**IB Aluminum Termination Bar Edge**

Detail Number:  
**T-PE-24**

Submitted By:  
Address:  
Telephone:

Project:  
Address: