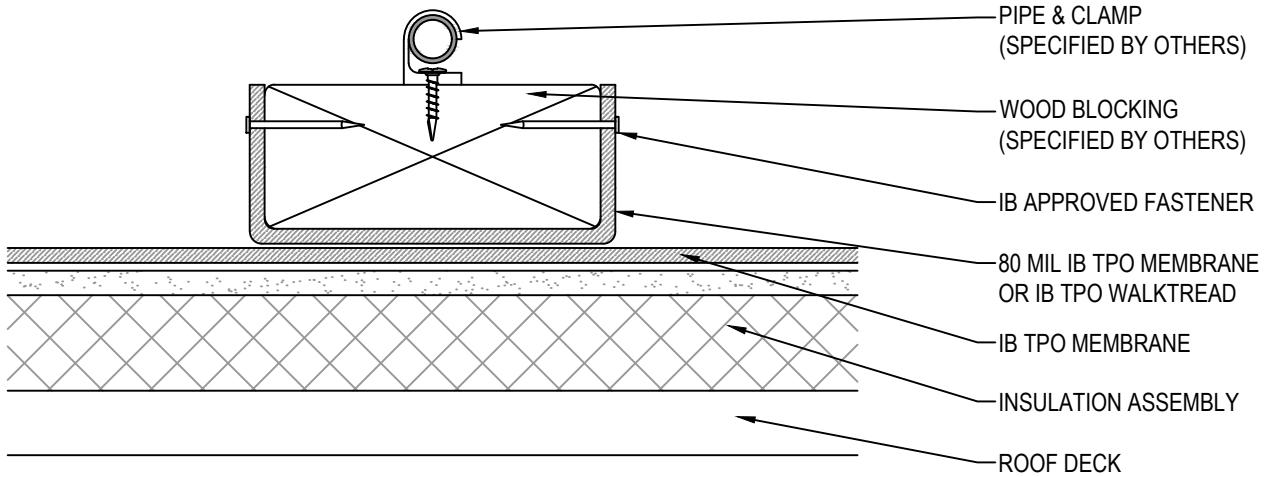
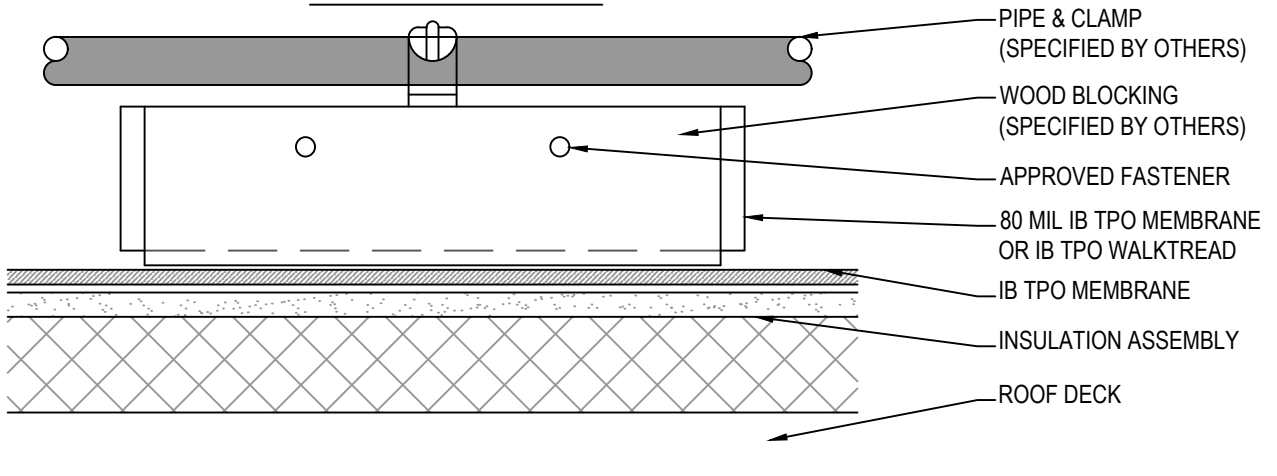




**PIPEGUARD**



**WOOD BLOCKING SIDE VIEW**



**NOTES:**

1. ANY OBJECTS BEING PLACED ON TOP OF THE IB TPO MEMBRANE NEED A MIN. 80 MIL IB TPO MEMBRANE ISOLATION PAD OR IB TPO WALKTREAD.
2. INSTALL PIPE SUPPORTS / CLAMPS TO ALLOW FOR PIPE EXPANSION AND MOVEMENT.

<b>Scale:</b> NTS	<b>Detail Name:</b> <h2 style="text-align: center;">TPO Isolation Pad</h2>	<b>Detail Number:</b> <h2 style="text-align: center;">T-PS-14</h2>
<b>Submitted By:</b> Address: Telephone:		<b>Project:</b> Address: