


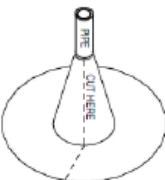
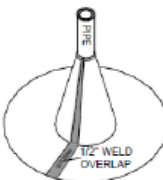


IB TPO Pipe Flashing Schedule Information

Flashing Type	Target Base Size	Bottom Diameter	Top Diameter	Height	Fits Pipe Size (diameter)
Short A Cone	14"	4"	0.5"	7"	0.5" – 1"
A Cone	14"	4"	1"	10"	1" – 2"
B Cone	16"	6"	1"	10"	1" – 3"
C Cone	18"	8"	3"	10"	3" -5"
D Cone	20"	10"	5"	10"	5" – 7"
E Cone	22"	12"	7"	10"	7" – 9"

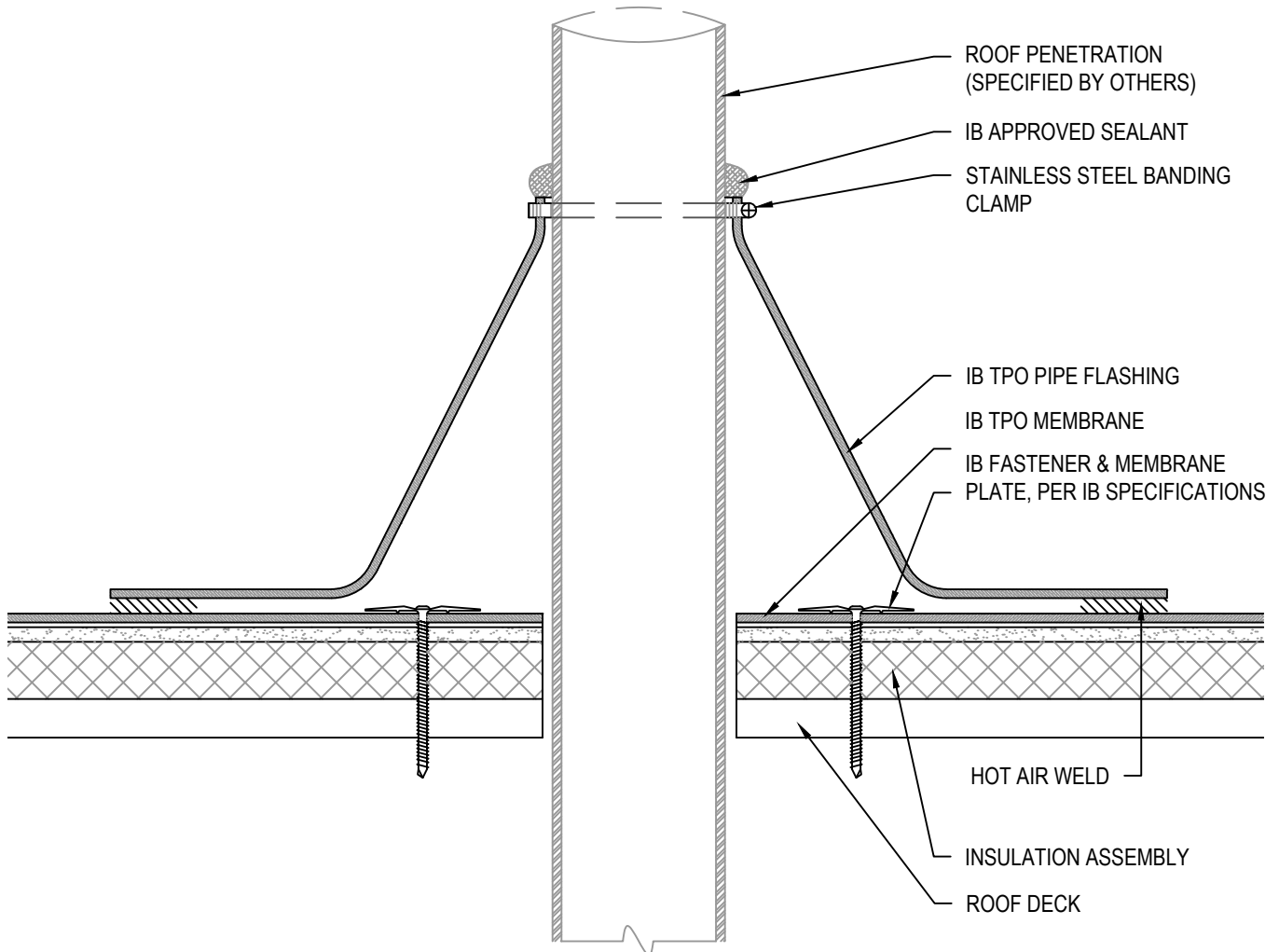
Flashing Type	Target Base Size	Step	Riser Height	Fits Pipe Size (diameter)
TPO Universal Pipe	13.25"	1	8"	0.875" – 1.5"
TPO Universal Pipe	13.25"	1.5	7.125"	1.625" – 2.0"
TPO Universal Pipe	13.25"	2	6.25"	2.125" – 2.625"
TPO Universal Pipe	13.25"	3	5.5"	2.75" – 3.625"
TPO Universal Pipe	13.25"	4	4.625"	3.75" – 4.625"
TPO Universal Pipe	13.25"	5	3.75"	4.75" – 5.625"
TPO Universal Pipe	13.25"	6	3.0"	5.75" – 6.25"

Flashing Type	
No Cone	custom made to order
X Cone	custom made to order
Custom Cones	custom made to order

Scale: NTS	Detail Name: IB TPO Pipe Cone Flashing Schedule	Detail Number: T-PS-01
----------------------	--	---

Submitted By: Address: Telephone:	Project: Address:
--	-----------------------------

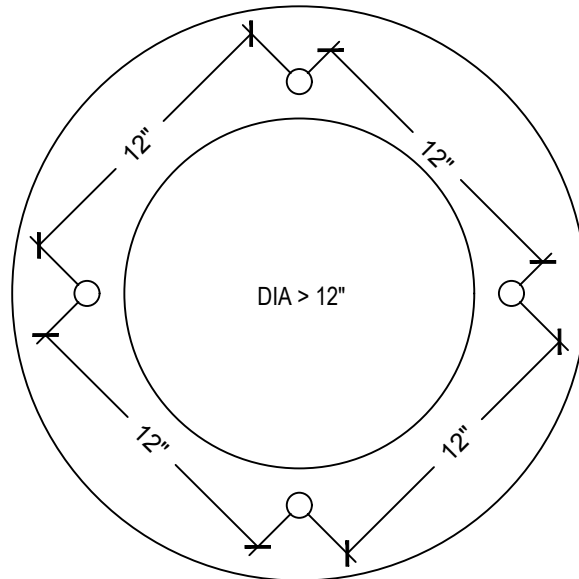
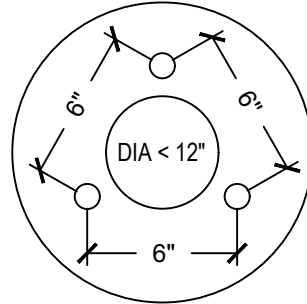


NOTES:

1. IB FASTENERS & MEMBRANE PLATES INSTALLED 6" O.C. WITH A MINIMUM OF 3 FASTENERS FOR PIPES LESS THAN 12" IN DIAMETER (12" O.C. WITH MINIMUM OF 4 FASTENERS FOR PIPES GREATER THAN 12" DIAMETER).
2. SEALANTS AND CAULKING REQUIRE PERIODIC OWNER MAINTENANCE.
3. ROOF PENETRATIONS EXCEEDING 120°F, REFER TO THE IB HOT TPO PIPE FLASHING DETAIL.
4. CLEAN PENETRATION PRIOR TO FLASHING TO REMOVE ALL BITUMINOUS RESIDUE OR CONTAINMENTS, OR COVER WITH ALUMINUM FOIL TAPE.
5. EACH PIPE FLASHING IS DESIGNED TO ACCOMMODATE PIPE DIAMETERS RANGING FROM 1" TO 6". EACH BOOT HAS A CUTTING GUIDE, DIAMETER MEASUREMENTS, AND INCLUDES A METAL CLAMP.
6. IB TPO PIPE FLASHINGS ARE NOT TO BE USED OR FUNCTION AS AN EXHAUST VENT OR MOISTURE RELIEF VENT.

Scale: NTS	Detail Name: <h2 style="text-align: center;">IB TPO Pipe Flashing</h2>	Detail Number: <h2 style="text-align: center;">T-PS-02</h2>
----------------------	--	---

Submitted By: Address: Telephone:	Project: Address:
--	-----------------------------

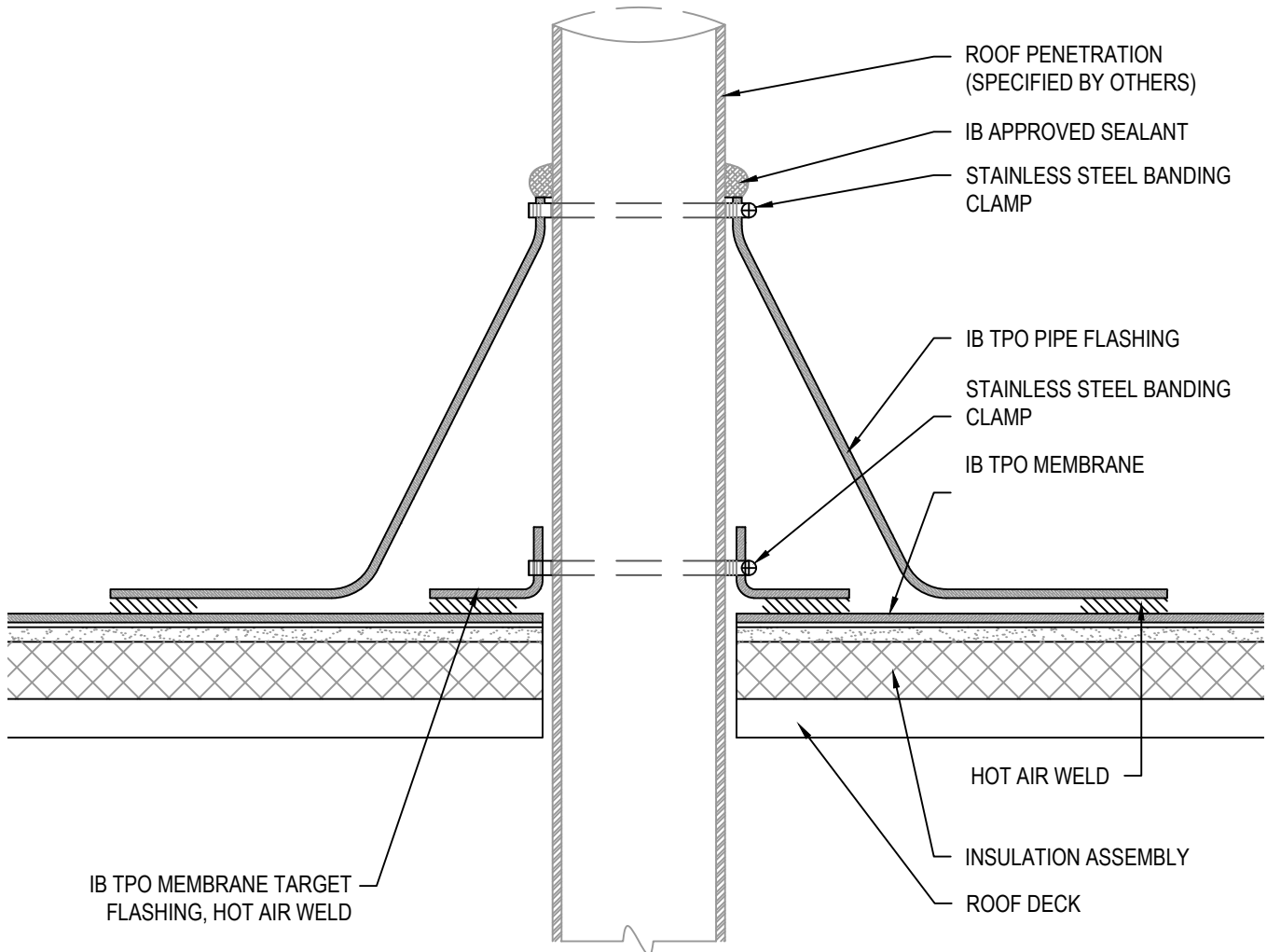


NOTES:

1. IB FASTENERS & MEMBRANE PLATES INSTALLED 6" O.C. WITH A MINIMUM OF 3 FASTENERS FOR PIPES LESS THAN 12" IN DIAMETER (12" O.C. WITH MINIMUM OF 4 FASTENERS FOR PIPES GREATER THAN 12" DIAMETER).

<p>Scale: NTS</p>	<p>Detail Name: IB TPO Pipe Penetration Attachment Pattern</p>	<p>Detail Number: T-PS-03</p>
------------------------------	--	---

<p>Submitted By: Address: Telephone:</p>	<p>Project: Address:</p>
---	-------------------------------------

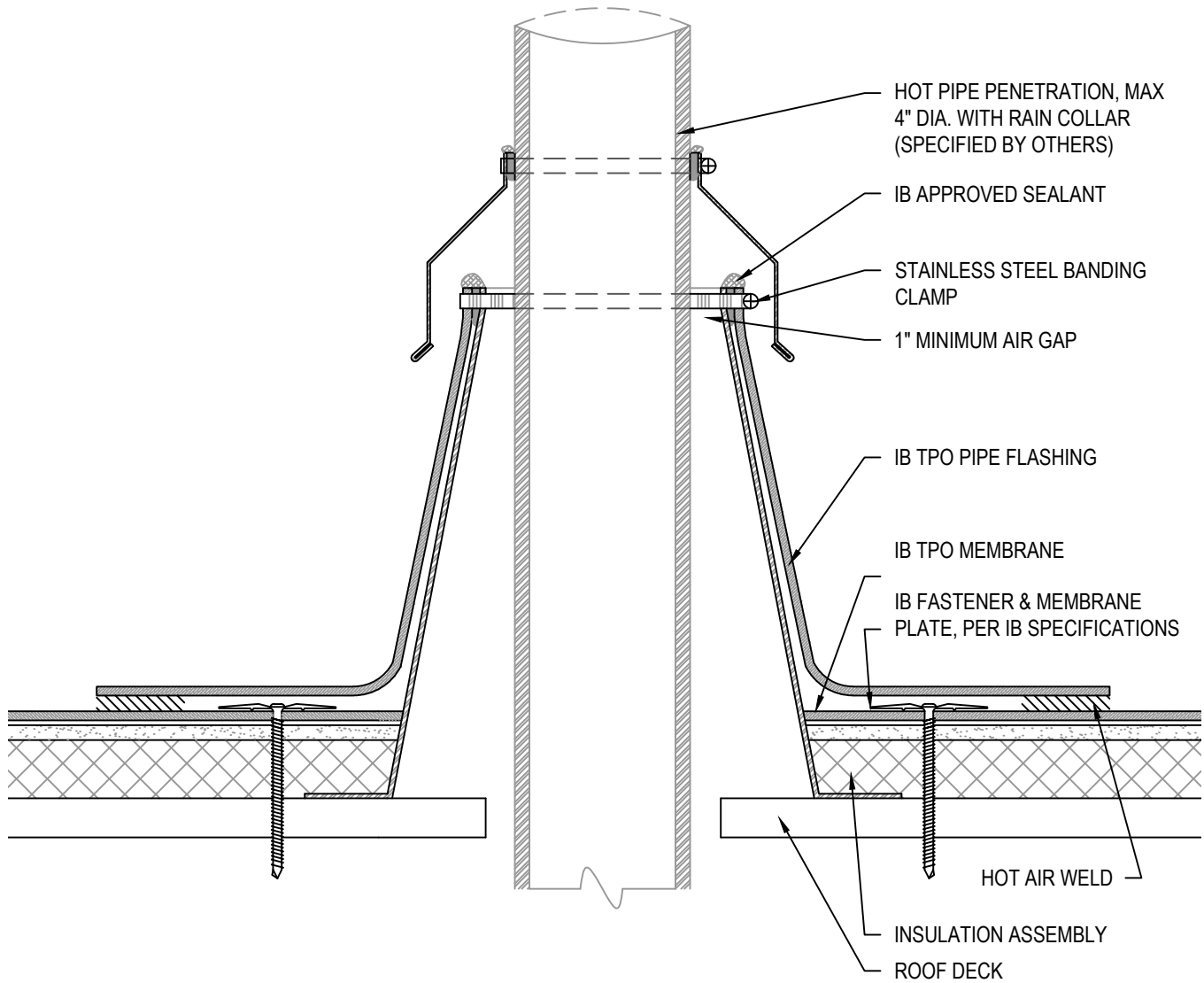


NOTES:

1. SEALANTS AND CAULKING REQUIRE PERIODIC OWNER MAINTENANCE.
2. ROOF PENETRATIONS EXCEEDING 120°F, REFER TO THE HOT TPO PIPE FLASHING DETAIL.
3. CLEAN PENETRATION PRIOR TO FLASHING TO REMOVE ALL BITUMINOUS RESIDUE OR CONTAINMENTS, OR COVER WITH ALUMINUM FOIL TAPE.
4. EACH PIPE FLASHING IS DESIGNED TO ACCOMMODATE PIPE DIAMETERS RANGING FROM 1" TO 6". EACH BOOT HAS A CUTTING GUIDE, DIAMETER MEASUREMENTS, AND INCLUDES A METAL CLAMP.
5. IB TPO PIPE FLASHINGS ARE NOT TO BE USED OR FUNCTION AS AN EXHAUST VENT OR MOISTURE RELIEF VENT.

Scale: NTS	Detail Name: Alternate IB TPO Pipe Flashing - Non-Penetrating	Detail Number: T-PS-04
----------------------	--	---

Submitted By: Address: Telephone:	Project: Address:
--	-----------------------------

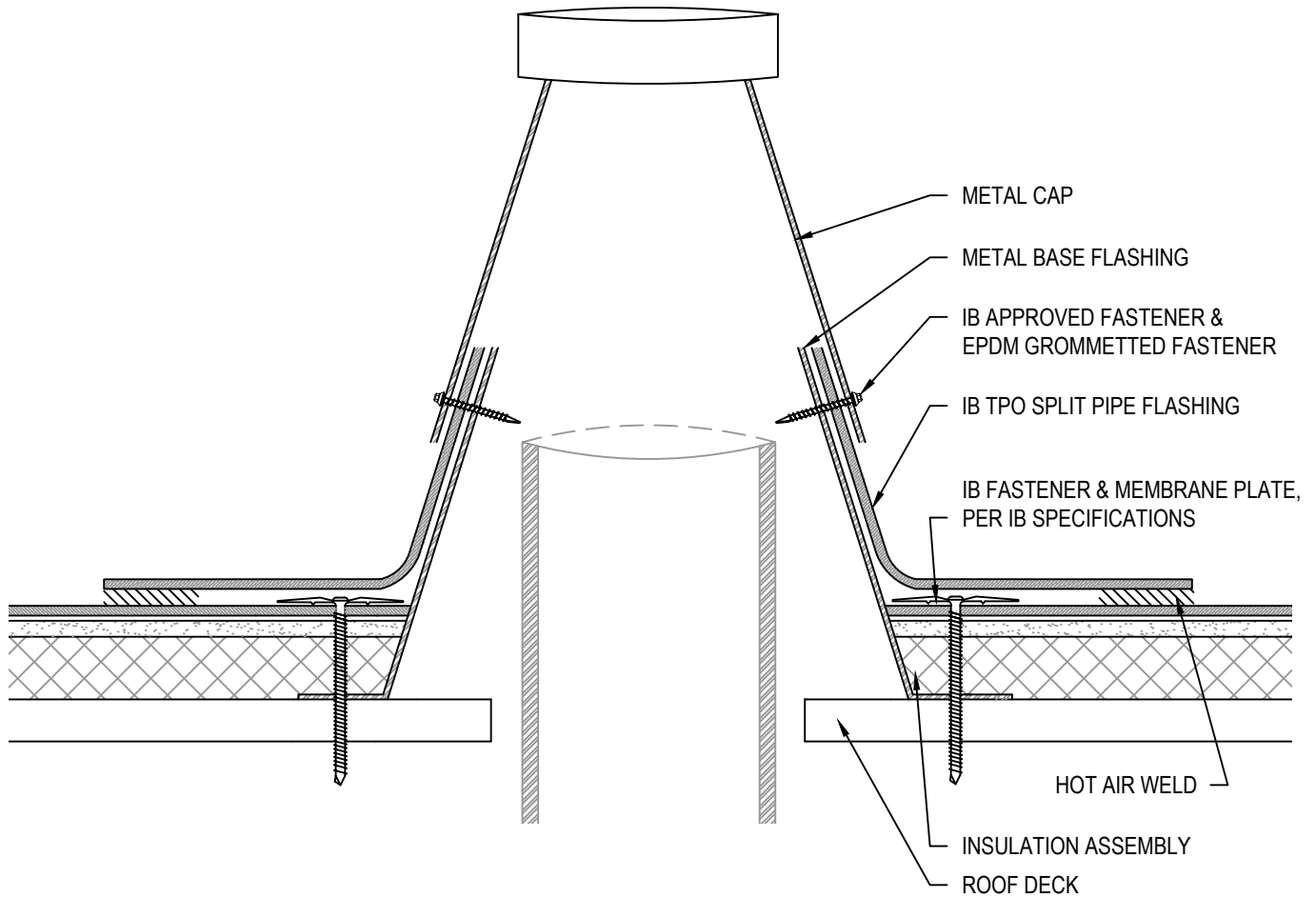


NOTES:

1. IB FASTENERS & MEMBRANE PLATES INSTALLED 6" O.C. WITH A MINIMUM OF 3 FASTENERS FOR PIPES LESS THAN 12" IN DIAMETER (12" O.C. WITH MINIMUM OF 4 FASTENERS FOR PIPES GREATER THAN 12" DIAMETER).
2. SEALANTS AND CAULKING REQUIRE PERIODIC OWNER MAINTENANCE.
3. THIS DETAIL TO BE USED FOR ROOF PENETRATIONS EXCEEDING 120°F (HEATED STOVE PIPES, DRYER EXHAUSTS, FLUMES, ETC.)
4. CLEAN PENETRATION PRIOR TO FLASHING TO REMOVE ALL BITUMINOUS RESIDUE OR CONTAMINANTS.
5. EACH PIPE FLASHING IS DESIGNED TO ACCOMMODATE PIPE DIAMETERS RANGING FROM 1" TO 6". EACH BOOT HAS A CUTTING GUIDE, DIAMETER MEASUREMENTS, AND INCLUDES A METAL CLAMP.
6. IB TPO PIPE FLASHINGS ARE NOT TO BE USED OR FUNCTION AS A MOISTURE RELIEF VENT.

Scale: NTS	Detail Name: IB TPO Pipe Flashing for Hot Pipes	Detail Number: T-PS-05
----------------------	--	---

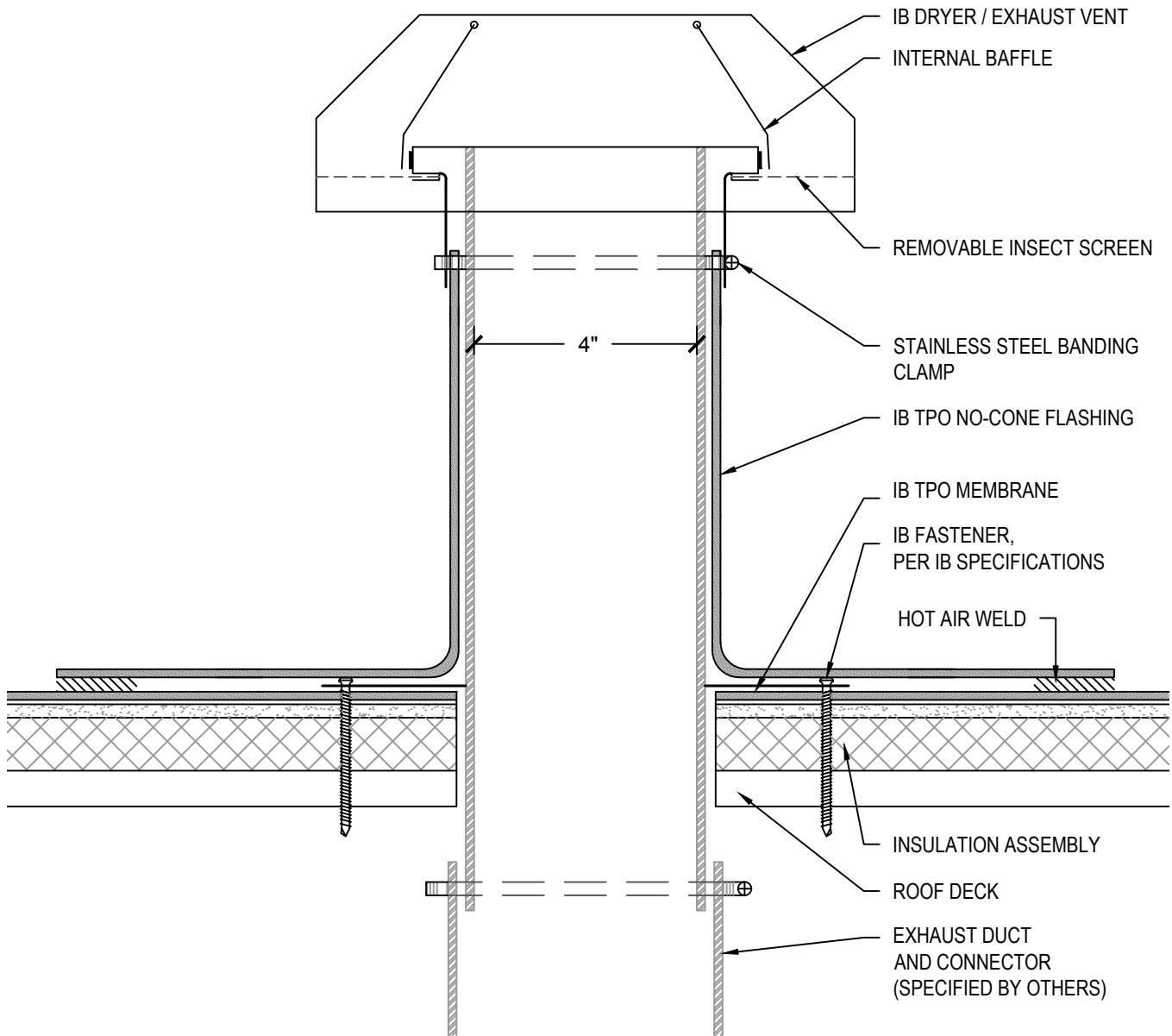
Submitted By: Address: Telephone:	Project: Address:
--	-----------------------------



NOTES:

1. IB FASTENERS & MEMBRANE PLATES INSTALLED 6" O.C. WITH A MINIMUM OF 3 FASTENERS FOR PIPES LESS THAN 12" IN DIAMETER (12" O.C. WITH MINIMUM OF 4 FASTENERS FOR PIPES GREATER THAN 12" DIAMETER)
2. IB TPO PIPE FLASHINGS ARE NOT TO BE USED OR FUNCTION AS A MOISTURE RELIEF VENT.

Scale: NTS	Detail Name: IB TPO Oval Flashing for Hot Pipes	Detail Number: T-PS-06
Submitted By: Address: Telephone:		Project: Address:

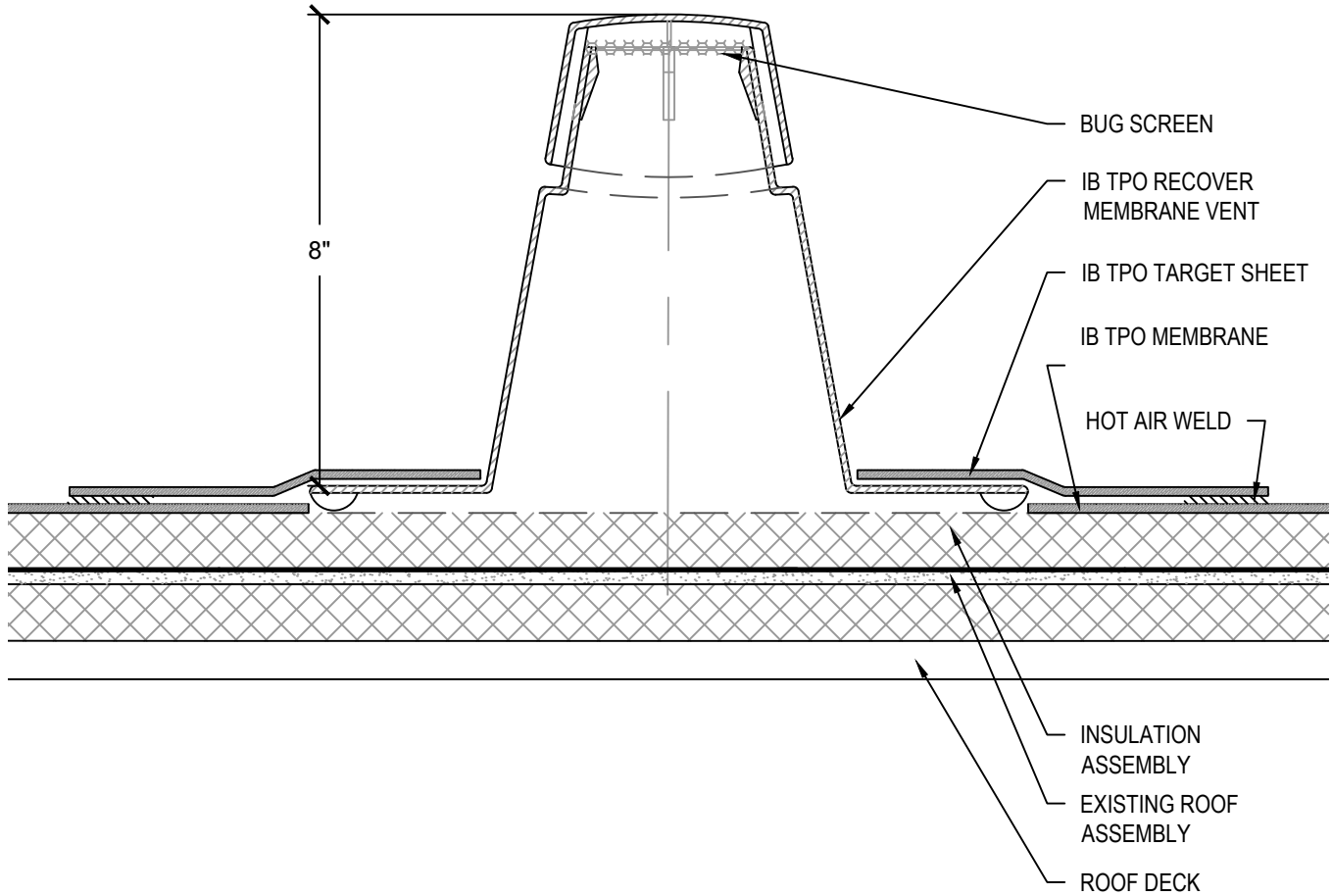


NOTES:

1. MINIMUM OF 4 IB FASTENERS PER PIPE FLANGE.
2. FOR BATHROOM / MECHANICAL VENT APPLICATION: INSTALL BOTH INSECT SCREENS PRIOR TO INSTALLING VENT.
3. SEALANTS AND CAULKING REQUIRE PERIODIC OWNER MAINTENANCE.
4. IB TPO PIPE FLASHINGS ARE NOT TO BE USED OR FUNCTION AS A MOISTURE RELIEF VENT.

Scale: NTS	Detail Name: IB TPO Dryer Exhaust Vent & Hood	Detail Number: T-PS-07
----------------------	--	---

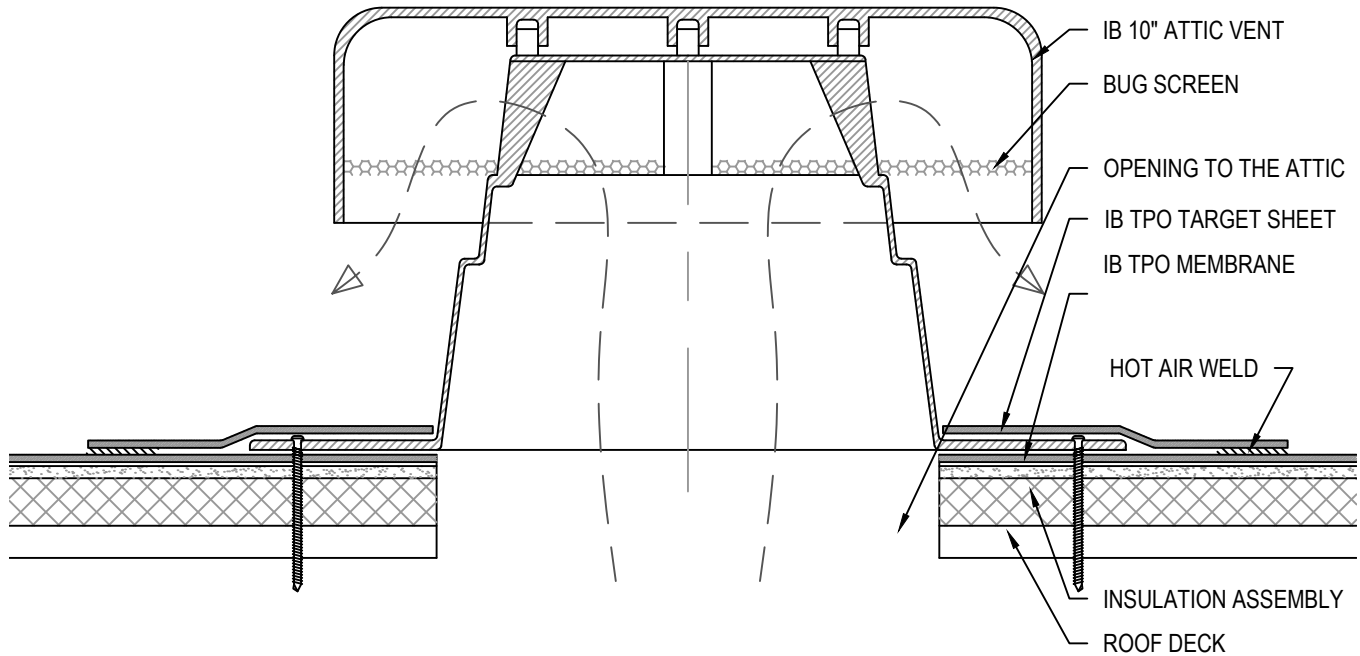
Submitted By: Address: Telephone:	Project: Address:
--	-----------------------------



NOTES:

1. VENTS ARE REQUIRED ON ALL INDUCTION WELDED, MECHANICALLY ATTACHED, INSULATED RECOVER ROOFING SYSTEMS, AND OVER EXISTING LIGHTWEIGHT INSULATING CONCRETE DECKS AT A NOMINAL RATE OF 1 VENT PER 1000 SQ FT.
2. VENTS ARE NOT TO BE USED AS A REMEDY FOR A POORLY DESIGNED ROOF SYSTEM THAT CONDENSATES.
3. IB RECOVER MEMBRANE VENTS ARE NOT TO BE USED FOR BATHROOM, KITCHEN, DRYER OR ATTIC VENTS.

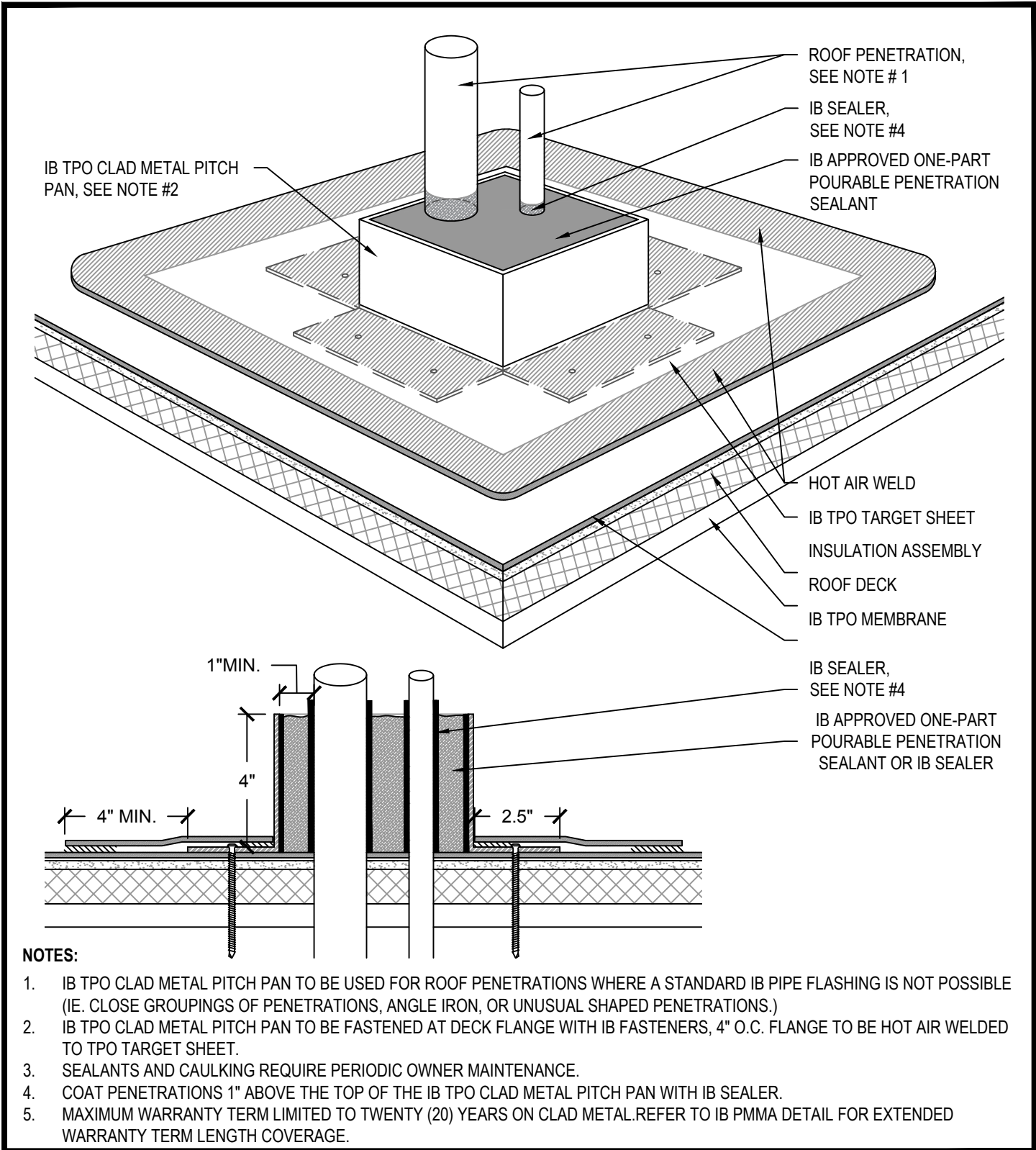
Scale: NTS	Detail Name: IB TPO Recover Membrane Vent	Detail Number: T-PS-08
Submitted By: Address: Telephone:		Project: Address:



NOTES:

1. IB APPROVED FASTENERS AND PLATES INSTALLED 6" O.C.
2. ROOF VENT MAY BE INSTALLED AS GENERAL VENTILATION FOR ENCLOSED ATTIC OR BUILDING AREAS WHERE APPROPRIATE WHERE USED FOR ATTIC SPACE VENTILATION, FOLLOW FHA GUIDELINES FOR BALANCED VENTILATION DESIGN.
3. NOT APPROVED FOR USE AS A DRYER VENT.
4. IB APPROVED SEALANT CAN BE USED TO SEAL THE FLANGE TO THE MEMBRANE.
5. NET FREE AREA = 52 SQ. IN. PER VENT
6. SQUARE FOOTAGE VENTED = UP TO 217 SQUARE FEET WHEN COMBINED WITH EQUAL AMOUNTS OF INTAKE VENTING (1/300 RATIO PER IBC SECTION 1203.2)

Scale: NTS	Detail Name: IB TPO 10" Attic Vent	Detail Number: T-PS-09
Submitted By: Address: Telephone:		Project: Address:

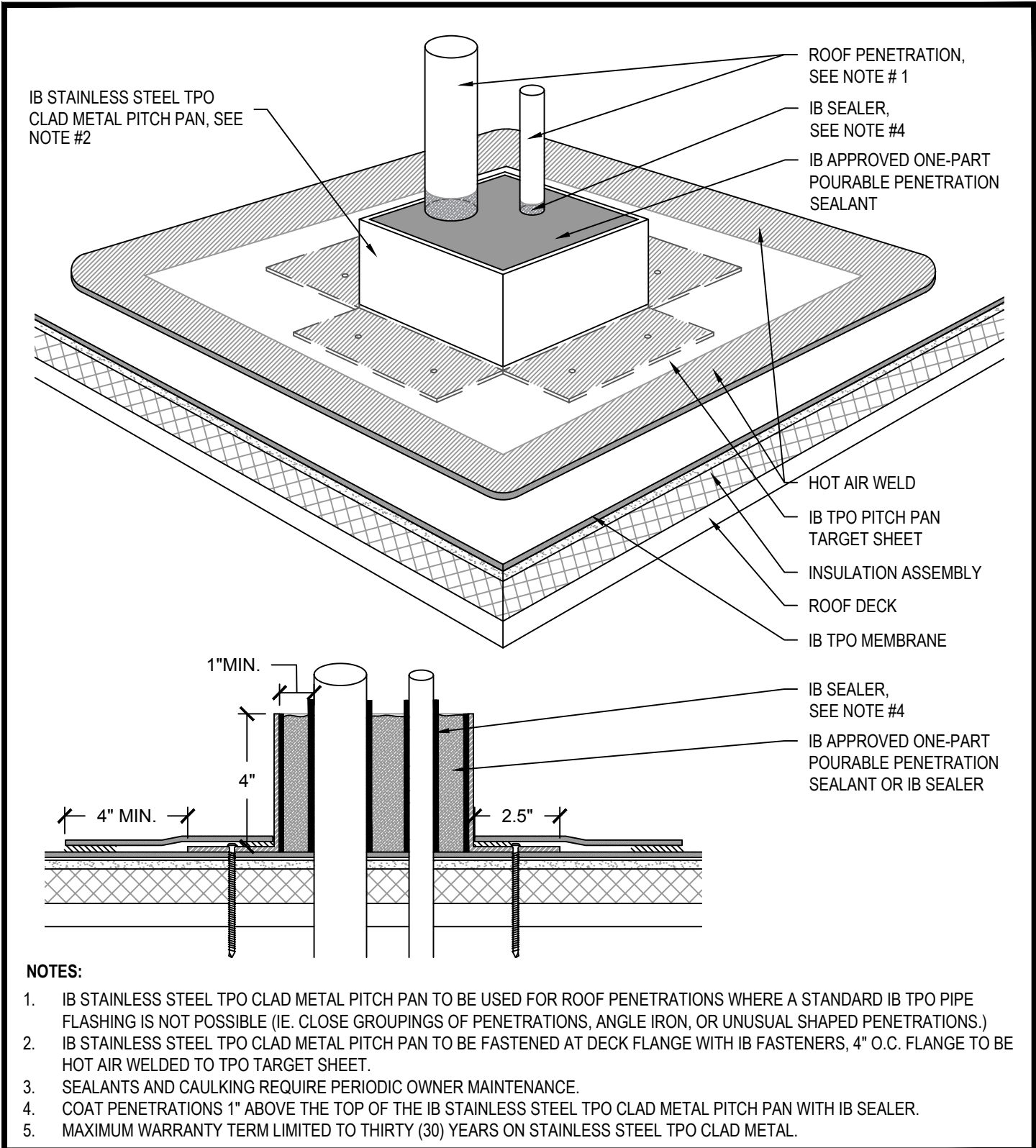


NOTES:

1. IB TPO CLAD METAL PITCH PAN TO BE USED FOR ROOF PENETRATIONS WHERE A STANDARD IB PIPE FLASHING IS NOT POSSIBLE (IE. CLOSE GROUPINGS OF PENETRATIONS, ANGLE IRON, OR UNUSUAL SHAPED PENETRATIONS.)
2. IB TPO CLAD METAL PITCH PAN TO BE FASTENED AT DECK FLANGE WITH IB FASTENERS, 4" O.C. FLANGE TO BE HOT AIR WELDED TO TPO TARGET SHEET.
3. SEALANTS AND CAULKING REQUIRE PERIODIC OWNER MAINTENANCE.
4. COAT PENETRATIONS 1" ABOVE THE TOP OF THE IB TPO CLAD METAL PITCH PAN WITH IB SEALER.
5. MAXIMUM WARRANTY TERM LIMITED TO TWENTY (20) YEARS ON CLAD METAL. REFER TO IB PMMA DETAIL FOR EXTENDED WARRANTY TERM LENGTH COVERAGE.

Scale: NTS	Detail Name: IB TPO Clad Metal Pitch Pan	Detail Number: T-PS-10
----------------------	---	---

Submitted By: Address: Telephone:	Project: Address:
--	-----------------------------

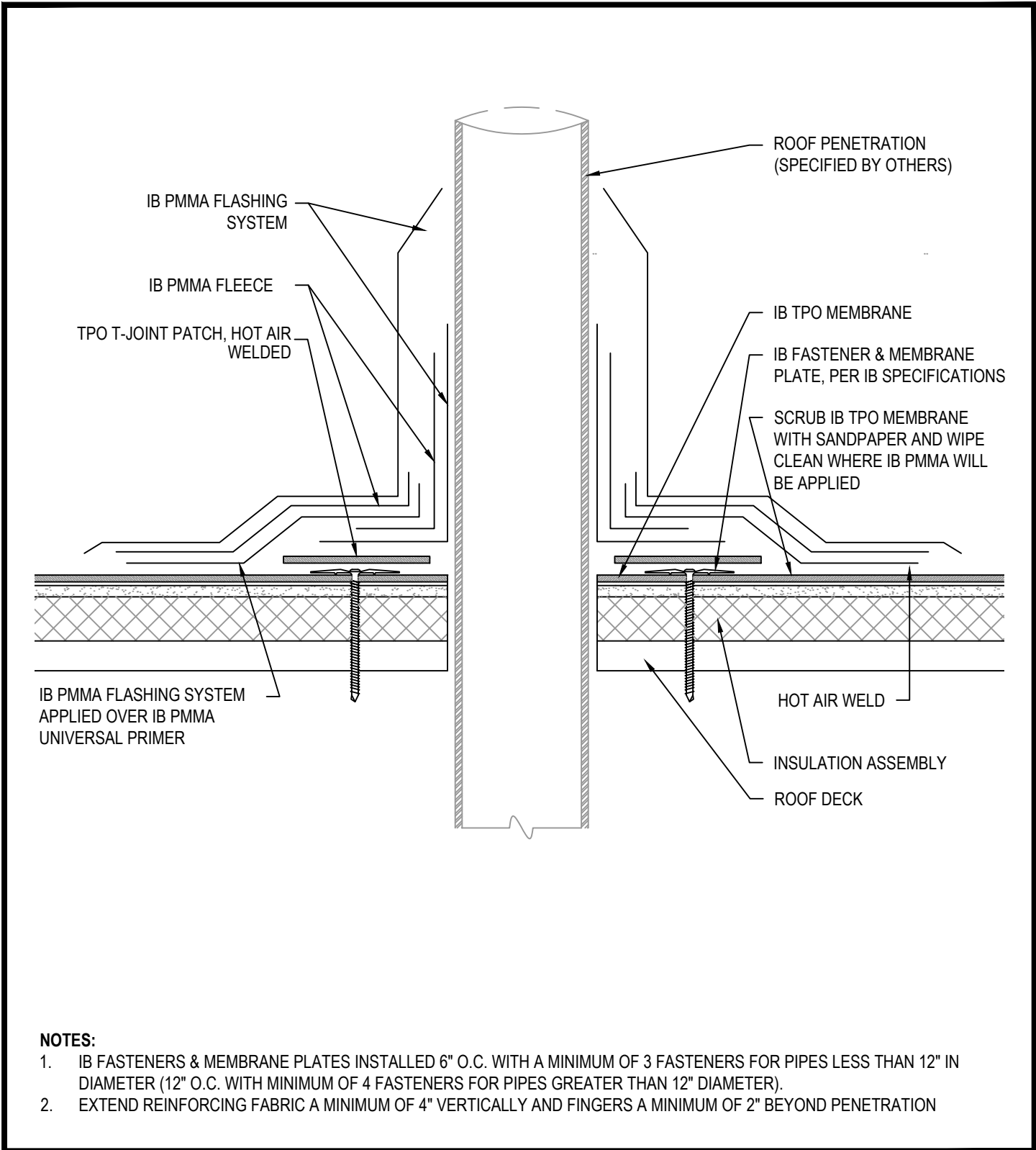


NOTES:

1. IB STAINLESS STEEL TPO CLAD METAL PITCH PAN TO BE USED FOR ROOF PENETRATIONS WHERE A STANDARD IB TPO PIPE FLASHING IS NOT POSSIBLE (IE. CLOSE GROUPINGS OF PENETRATIONS, ANGLE IRON, OR UNUSUAL SHAPED PENETRATIONS.)
2. IB STAINLESS STEEL TPO CLAD METAL PITCH PAN TO BE FASTENED AT DECK FLANGE WITH IB FASTENERS, 4" O.C. FLANGE TO BE HOT AIR WELDED TO TPO TARGET SHEET.
3. SEALANTS AND CAULKING REQUIRE PERIODIC OWNER MAINTENANCE.
4. COAT PENETRATIONS 1" ABOVE THE TOP OF THE IB STAINLESS STEEL TPO CLAD METAL PITCH PAN WITH IB SEALER.
5. MAXIMUM WARRANTY TERM LIMITED TO THIRTY (30) YEARS ON STAINLESS STEEL TPO CLAD METAL.

Scale: NTS	Detail Name: IB Stainless Steel TPO Clad Metal Pitch Pan	Detail Number: T-PS-11
----------------------	---	---

Submitted By: Address: Telephone:	Project: Address:
--	-----------------------------

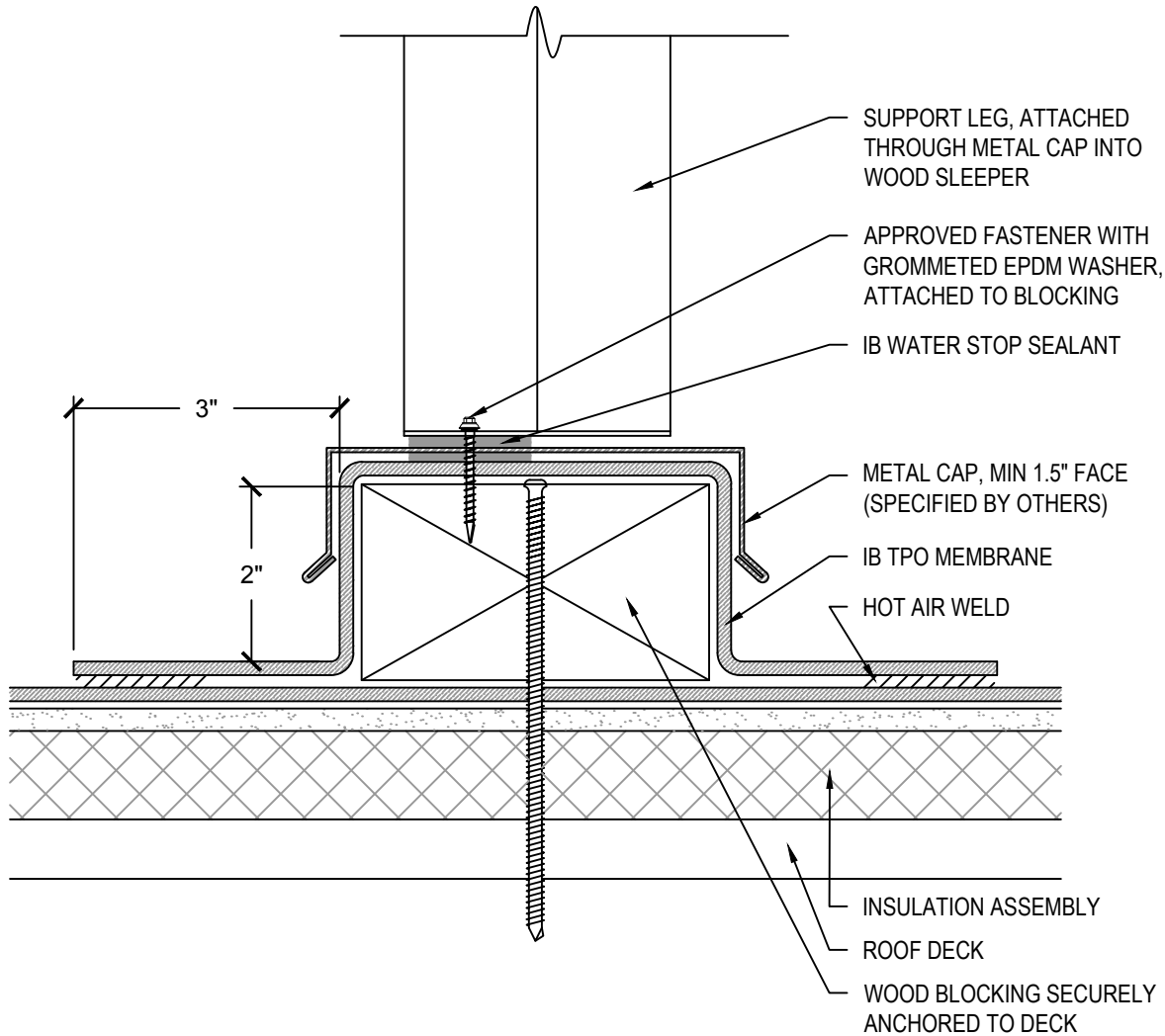


NOTES:

1. IB FASTENERS & MEMBRANE PLATES INSTALLED 6" O.C. WITH A MINIMUM OF 3 FASTENERS FOR PIPES LESS THAN 12" IN DIAMETER (12" O.C. WITH MINIMUM OF 4 FASTENERS FOR PIPES GREATER THAN 12" DIAMETER).
2. EXTEND REINFORCING FABRIC A MINIMUM OF 4" VERTICALLY AND FINGERS A MINIMUM OF 2" BEYOND PENETRATION

Scale: NTS	Detail Name: IB PMMA Flashing System at TPO Pipe Penetration	Detail Number: T-PS-12
----------------------	---	---

Submitted By: Address: Telephone:	Project: Address:
--	-----------------------------



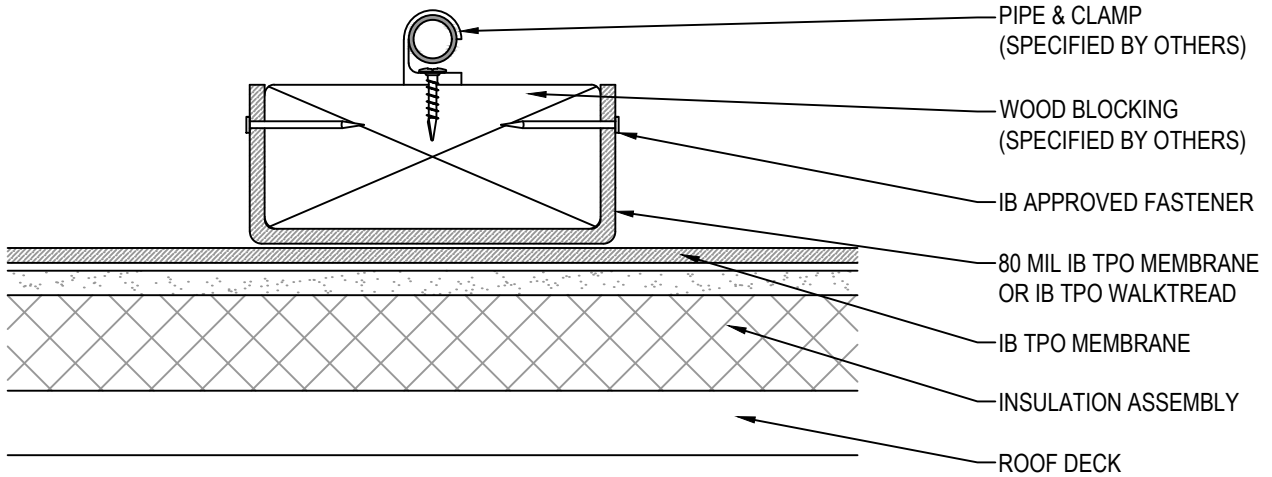
NOTES:

1. THE ABOVE DETAIL CAN BE USED FOR LIGHTWEIGHT EQUIPMENT OR DUCT SUPPORTS. INSTALL ADDITIONAL BLOCKING BELOW MEMBRANE WHERE NEEDED TO SUPPORT EXPECTED LOADS.
2. SECURE FLASHINGS AND METAL WORK IN ACCORDANCE WITH IB SPECIFICATIONS AND FLASHING SECUREMENT TABLE.
3. SEALANTS AND CAULKING REQUIRE PERIODIC OWNER MAINTENANCE

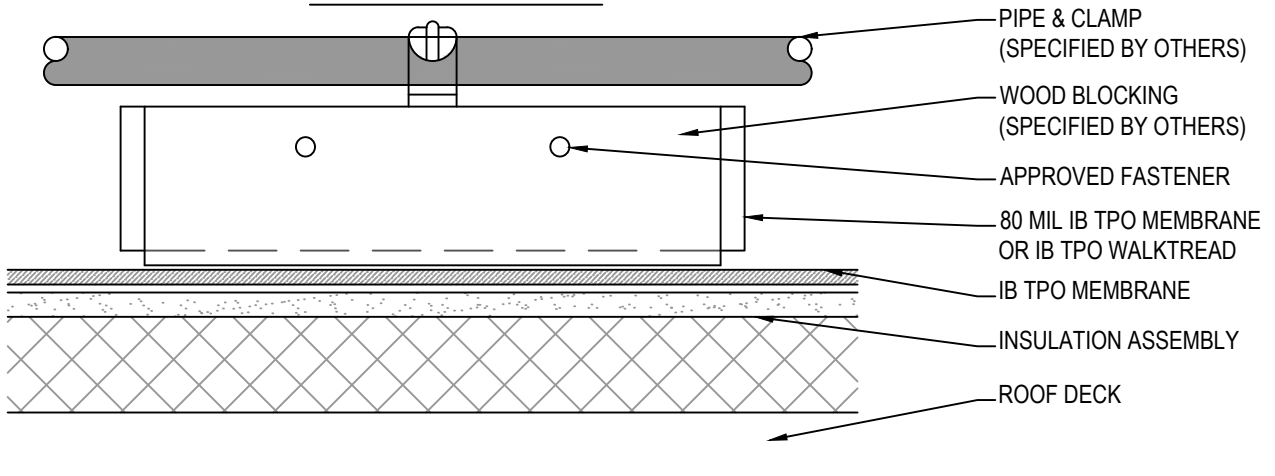
Scale: NTS	Detail Name: Encapsulated Support - TPO	Detail Number: T-PS-13
Submitted By: Address: Telephone:		Project: Address:



PIPEGUARD



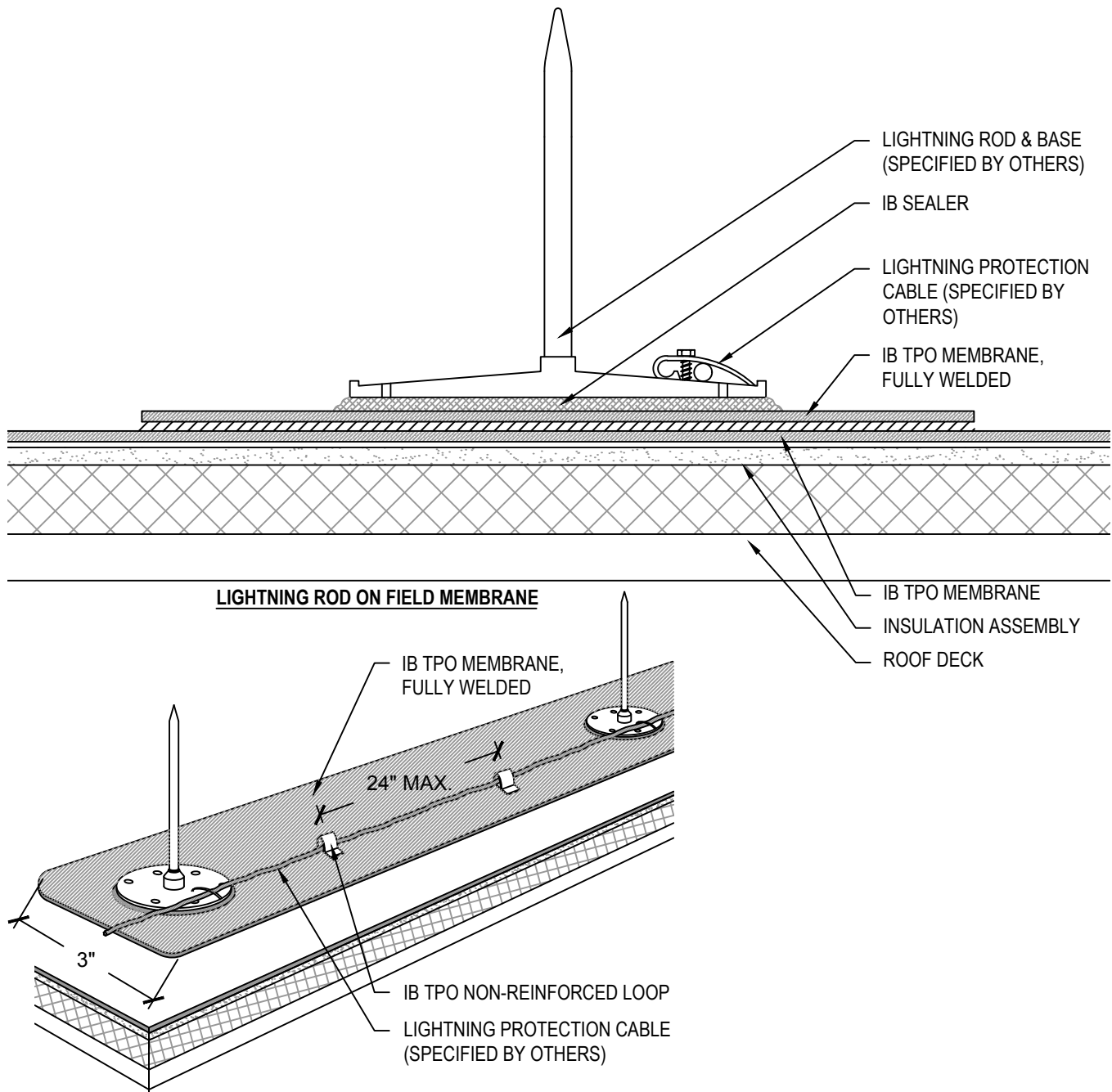
WOOD BLOCKING SIDE VIEW



NOTES:

1. ANY OBJECTS BEING PLACED ON TOP OF THE IB TPO MEMBRANE NEED A MIN. 80 MIL IB TPO MEMBRANE ISOLATION PAD OR IB TPO WALKTREAD.
2. INSTALL PIPE SUPPORTS / CLAMPS TO ALLOW FOR PIPE EXPANSION AND MOVEMENT.

Scale: NTS	Detail Name: TPO Isolation Pad	Detail Number: T-PS-14
Submitted By: Address: Telephone:		Project: Address:



NOTES:

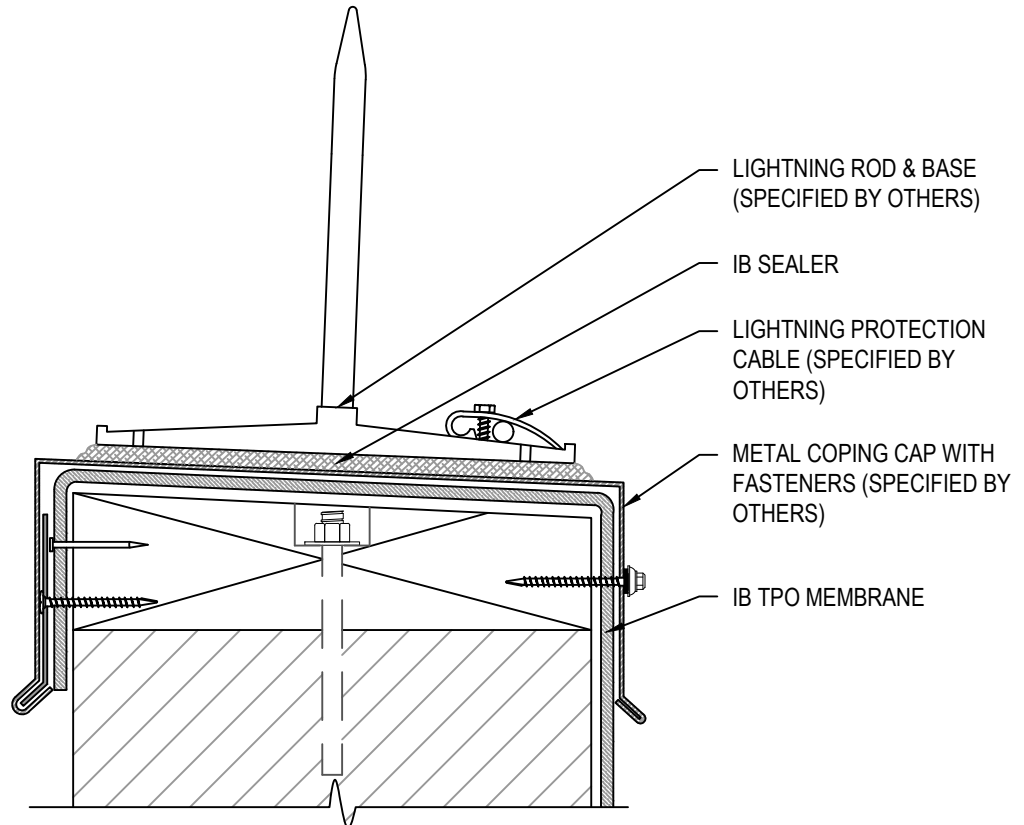
1. IB ROOF SYSTEMS ASSUMES NO RESPONSIBILITY FOR THE INSTALLATION, PERFORMANCE OR CERTIFICATION OF THE LIGHTNING ROD PROTECTION SYSTEM.
2. IB ROOF SYSTEMS ASSUMES NO RESPONSIBILITY FOR ATTACHMENT OF LIGHTNING ROD OR DAMAGES TO THE ROOF SYSTEM BECAUSE OF FAILURE OR DETACHMENT.

Scale: NTS	Detail Name: Lightning Rod Field for TPO Roofs	Detail Number: T-PS-15
----------------------	---	---

Submitted By: Address: Telephone:	Project: Address:
--	-----------------------------



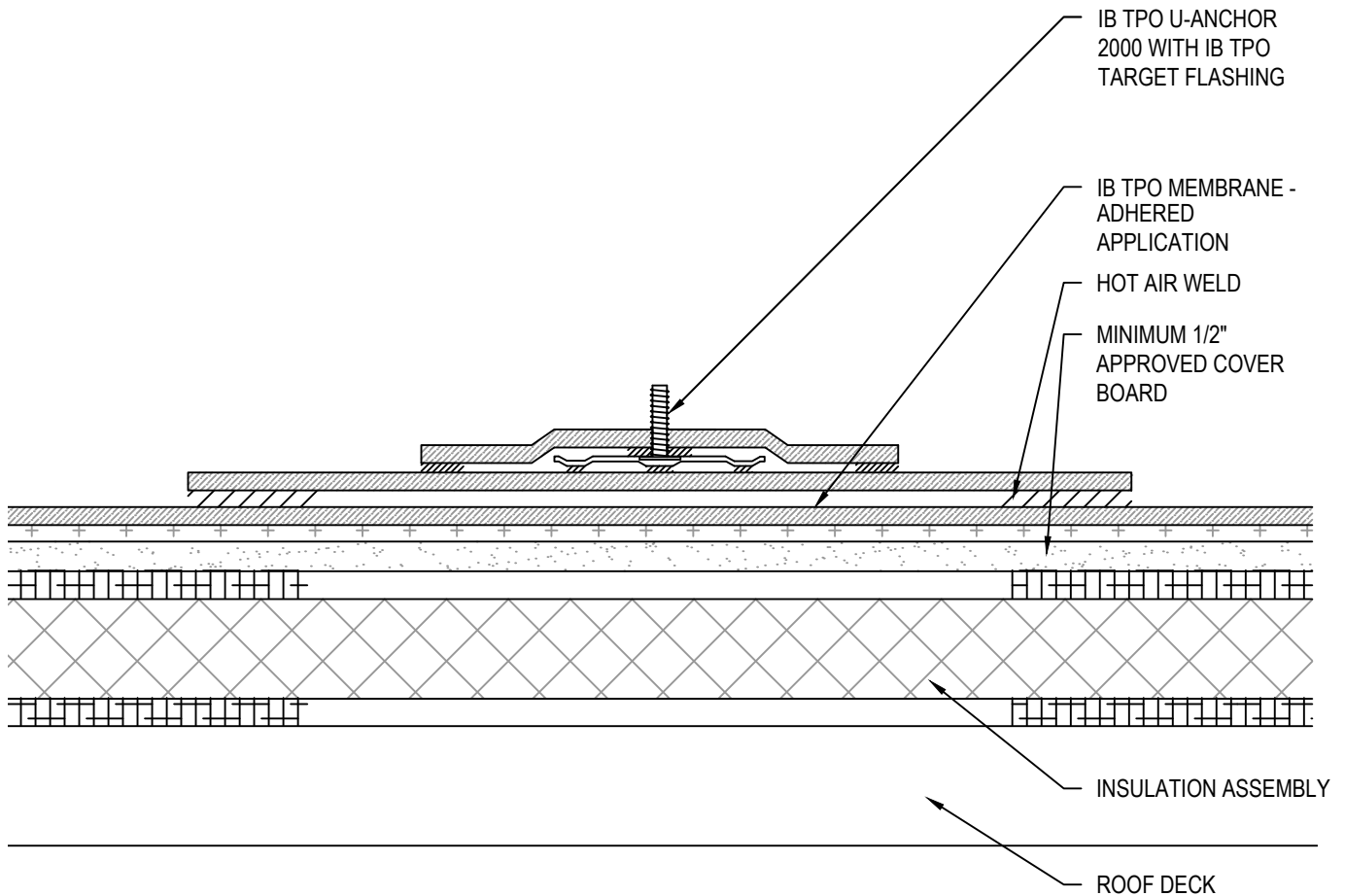
WALL MOUNTED LIGHTNING ROD



NOTES:

1. IB ROOF SYSTEMS ASSUMES NO RESPONSIBILITY FOR THE INSTALLATION, PERFORMANCE OR CERTIFICATION OF THE LIGHTNING ROD PROTECTION SYSTEM.
2. IB ROOF SYSTEMS ASSUMES NO RESPONSIBILITY FOR ATTACHMENT OF LIGHTNING ROD OR DAMAGES TO THE ROOF SYSTEM BECAUSE OF FAILURE OR DETACHMENT.

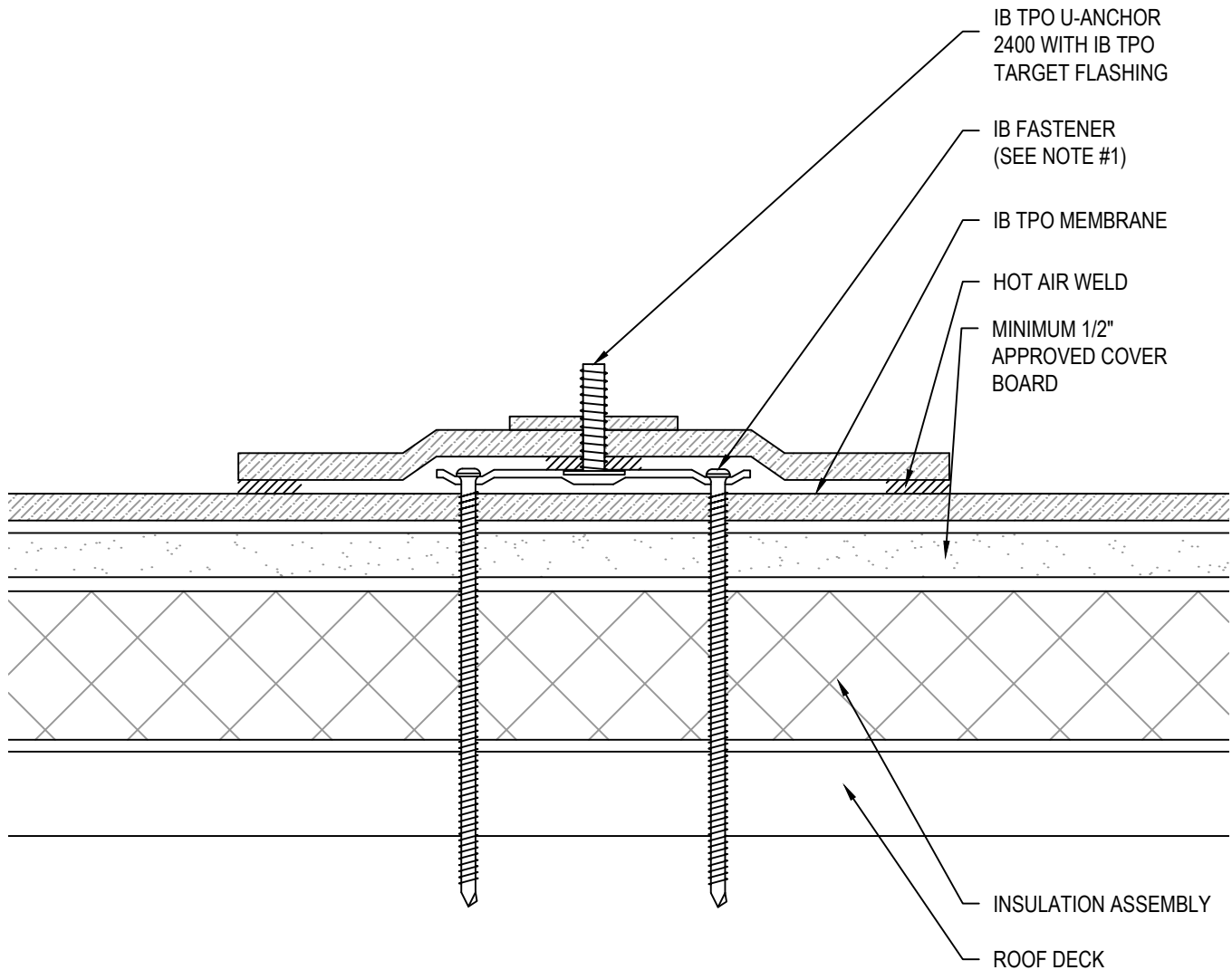
Scale: NTS	Detail Name: Lightning Rod Mounted Wall for TPO Roofs	Detail Number: T-PS-16
Submitted By: Address: Telephone:		Project: Address:



NOTES:

1. LIMITED TO TPO ADHERED ROOF ASSEMBLIES. CONTACT IB TECHNICAL SERVICES FOR REQUIREMENTS ON APPLICATIONS OVER WARRANTED IB ROOF MEMBRANES.
2. HOT AIR WELD TARGET FLASHING TO INSTALLED IB TPO ADHERED MEMBRANE USING IB TPO U-ANCHOR 2000 WITH IB TPO TARGET FLASHING.
3. U-ANCHOR PLATES INSTALLED ON IB ROOF SYSTEMS PROJECTS ARE CONSIDERED PART OF THE PV SOLAR ASSMEBLY AND ARE NOT A COVERED COMPONENT OF THE IB TOTAL SYSTEM WARRANTY.
4. RESPONSIBILTY FOR U-ANCHOR AND PV SOLAR ASSEMBLY DESIGN, LOAD CALCULATION, WIND RESISTANCE, ATTACHMENT AND PERFORMANCE REMAINS WITH OTHERS.

<p>Scale: NTS</p>	<p>Detail Name: IB TPO U-Anchor 2000</p>	<p>Detail Number: T-PS-17</p>
<p>Submitted By: Address: Telephone:</p>		<p>Project: Address:</p>



NOTES:

1. APPROVED IB FASTENER APPROPRIATE FOR PROJECT DECK TYPE.
2. FASTENER PULL TESTS RECOMMENDED TO CONFIRM ACCEPTABLE WITHDRAWAL RESISTANCE FASTENERS MUST ENGAGE THE STRUCTURAL DECK OR FRAMING SUPPORTS.
3. INSTALL IB TPO U-ANCHOR 2400 WITH APPROPRIATE NUMBER OF FASTENERS FOR THE DECK AND DESIGN REQUIREMENTS. FASTENERS MUST ENGAGE THE STRUCTURAL DECK OR FRAMING SUPPORTS.
4. IB TPO U-ANCHOR PLATES INSTALLED ON IB ROOF SYSTEMS PROJECTS ARE CONSIDERED PART OF THE PV SOLAR ASSEMBLY AND ARE NOT A COVERED COMPONENT OF THE IB WARRANTY.
5. RESPONSIBILITY FOR U-ANCHOR AND PV SOLAR ASSEMBLY DESIGN, LOAD CALCULATION, WIND RESISTANCE, ATTACHMENT AND PERFORMANCE REMAINS WITH OTHERS.

Scale: NTS	Detail Name: IB TPO U-Anchor 2400	Detail Number: T-PS-18
Submitted By: Address: Telephone:		Project: Address: