

NOTES:

1. SINGLE COURSE WALL FLASHING MAXIMUM HEIGHTS:
 - A. 18" FOR MECHANICALLY ATTACHED FLASHING, INDUCTION WELDED OR 60" FOR FULLY ADHERED FLASHINGS.
 - B. FOR WALLS EXCEEDING MAXIMUM HEIGHTS, REFER TO APPLICABLE TALL WALL DETAILS.
2. SECURE FLASHINGS AND METAL WORK IN ACCORDANCE WITH IB SPECIFICATIONS AND FLASHING SECUREMENT TABLE.
3. SEALANTS AND CAULKING REQUIRE PERIODIC OWNER MAINTENANCE.

APPROVED SUBSTRATE / SEPARATION:

NEW CONSTRUCTION - FULLY ADHERED, INDUCTION WELDED, AND MECHANICALLY ATTACHED

- 1/2" PLYWOOD, 7/16" OSB, 1/2" APPROVED GYPSUM COVER BOARD, POURED / PRECAST CONCRETE, OR CEMENT BLOCK / MASONRY WALLS.

MECHANICALLY ATTACHED RECOVER OVER APPROVED EXISTING WALL AND BASE FLASHINGS

- FULL SEPARATION REQUIRED WITH MINIMUM 1/2" PLYWOOD, 1/4" APPROVED GYPSUM COVER BOARD, 7/16" OSB, OR APPROVED

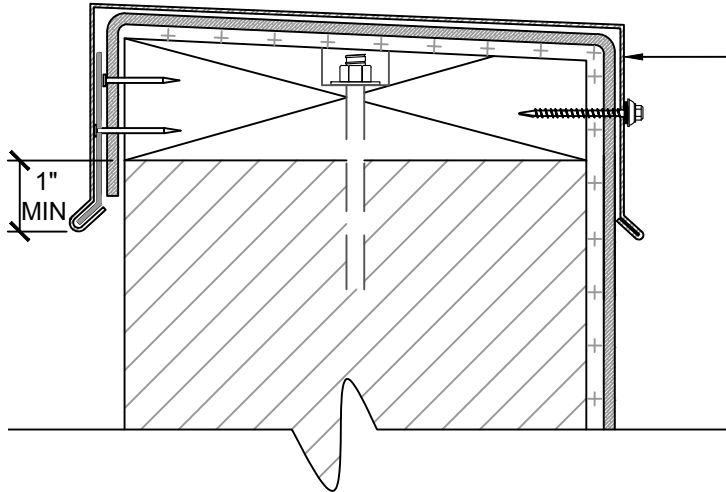
INDUCTION WELDED RECOVER OVER APPROVED EXISTING WALL AND BASE FLASHINGS

- FULL SEPARATION REQUIRED WITH MINIMUM 1/4" APPROVED GYPSUM COVER BOARD

FULLY ADHERED RECOVER OVER APPROVED EXISTING WALL AND BASE FLASHINGS

- FULL SEPARATION REQUIRED WITH MINIMUM 1/2" PLYWOOD, 1/4" APPROVED GYPSUM COVER BOARD, OR 7/16" OSB

Scale: NTS	Detail Name: Parapet Wall with Metal Coping	Detail Number: T-PT-01
Submitted By: Address: Telephone:		Project: Address:



IB METAL COPING OR STD METAL COPING WITH CONTINUOUS CLEAT (SPECIFIED BY OTHERS) SECURE COPING AND NAILER TO MEET PROJECT WIND LOADS AND ES-1 AS REQUIRED

NOTES:

1. SINGLE COURSE WALL FLASHING MAXIMUM HEIGHTS:
 - A. 18" FOR MECHANICALLY ATTACHED FLASHING, INDUCTION WELDED OR 60" FOR FULLY ADHERED FLASHINGS.
 - B. FOR WALLS EXCEEDING MAXIMUM HEIGHTS, REFER TO APPLICABLE TALL WALL DETAILS.
2. SECURE FLASHINGS AND METAL WORK IN ACCORDANCE WITH IB SPECIFICATIONS AND FLASHING SECUREMENT TABLE.
3. SEALANTS AND CAULKING REQUIRE PERIODIC OWNER MAINTENANCE.

APPROVED SUBSTRATE / SEPARATION:

NEW CONSTRUCTION - FULLY ADHERED, INDUCTION WELDED, AND MECHANICALLY ATTACHED

- 1/2" PLYWOOD, 7/16" OSB, 1/2" APPROVED GYPSUM COVER BOARD, POURED / PRECAST CONCRETE, OR CEMENT BLOCK / MASONRY WALLS.

MECHANICALLY ATTACHED RECOVER OVER APPROVED EXISTING WALL AND BASE FLASHINGS

- FULL SEPARATION REQUIRED WITH MINIMUM 1/2" PLYWOOD, 1/4" APPROVED GYPSUM COVER BOARD, 7/16" OSB, OR APPROVED

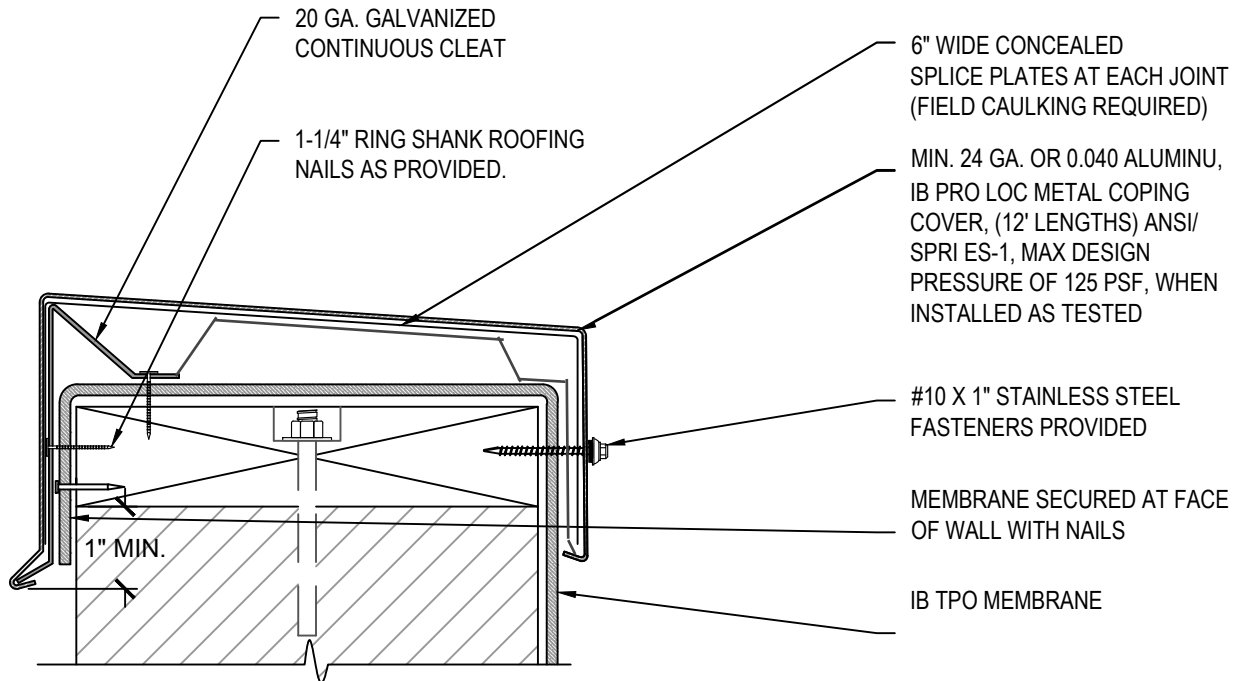
INDUCTION WELDED RECOVER OVER APPROVED EXISTING WALL AND BASE FLASHINGS

- FULL SEPARATION REQUIRED WITH MINIMUM 1/4" APPROVED GYPSUM COVER BOARD

FULLY ADHERED RECOVER OVER APPROVED EXISTING WALL AND BASE FLASHINGS

- FULL SEPARATION REQUIRED WITH MINIMUM 1/2" PLYWOOD, 1/4" APPROVED GYPSUM COVER BOARD, OR 7/16" OSB

Scale: NTS	Detail Name: IB Metal Coping - Parapet Wall	Detail Number: T-PT-02
Submitted By: Address: Telephone:		Project: Address:



NOTES:

1. SINGLE COURSE WALL FLASHING MAXIMUM HEIGHTS:
 - A. 18" FOR MECHANICALLY ATTACHED FLASHING INDUCTION WELDED, OR 60" FOR FULLY ADHERED FLASHINGS.
 - B. FOR WALLS EXCEEDING MAXIMUM HEIGHTS, REFER TO APPLICABLE TALL WALL DETAILS.
2. SECURE FLASHINGS AND METAL WORK IN ACCORDANCE WITH IB SPECIFICATIONS AND FLASHING SECUREMENT TABLE.
3. SEALANTS AND CAULKING REQUIRE PERIODIC OWNER MAINTENANCE.

APPROVED SUBSTRATE / SEPARATION:

NEW CONSTRUCTION - FULLY ADHERED, INDUCTION WELDED, AND MECHANICALLY ATTACHED

- 1/2" PLYWOOD, 7/16" OSB, 1/2" APPROVED GYPSUM COVER BOARD, POURED / PRECAST CONCRETE, OR CEMENT BLOCK / MASONRY WALLS.

MECHANICALLY ATTACHED RECOVER OVER APPROVED EXISTING WALL AND BASE FLASHINGS

- FULL SEPARATION REQUIRED WITH MINIMUM 1/2" PLYWOOD, 1/4" APPROVED GYPSUM COVER BOARD, 7/16" OSB, OR APPROVED

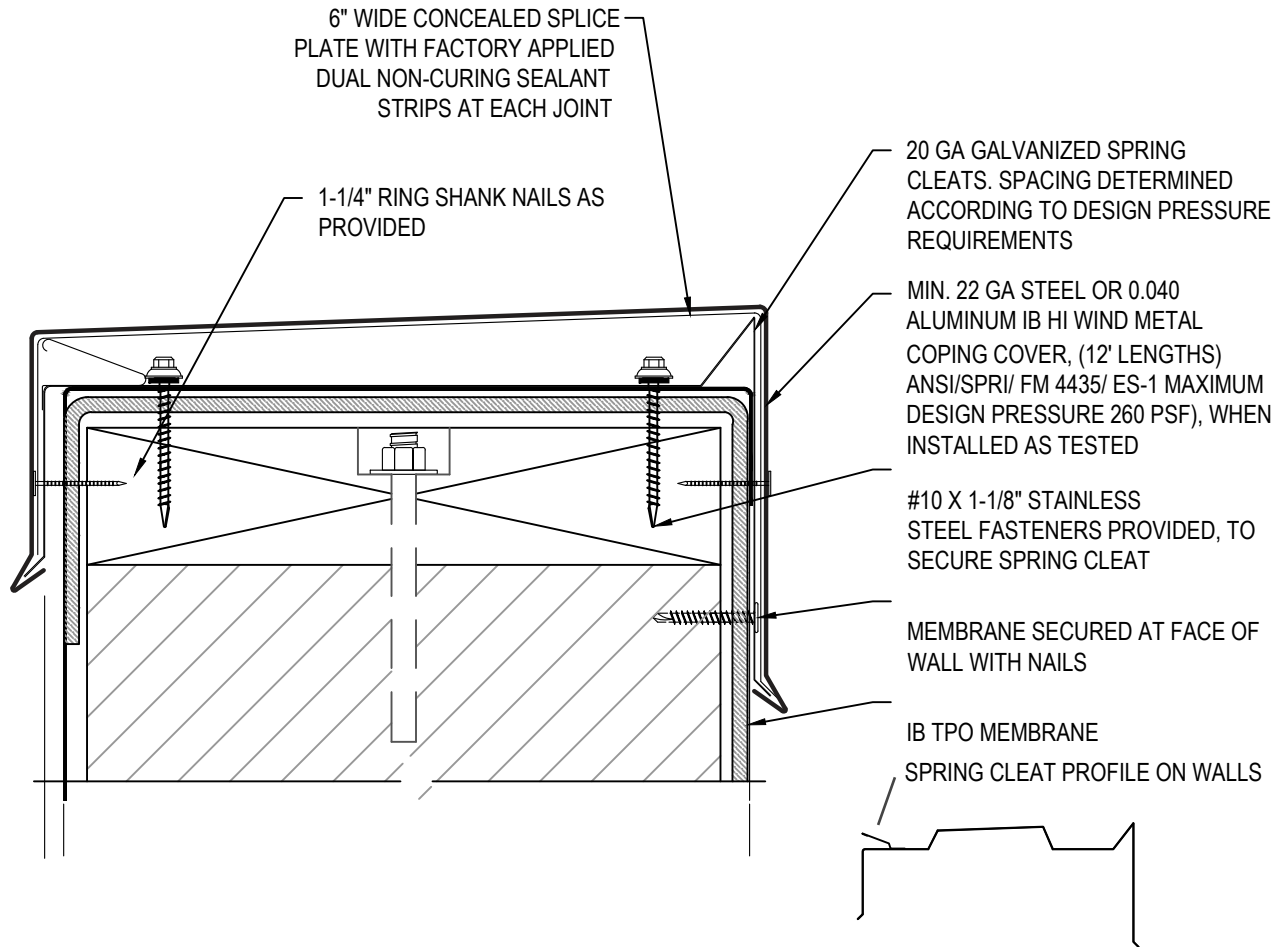
INDUCTION WELDED RECOVER OVER APPROVED EXISTING WALL AND BASE FLASHINGS

- FULL SEPARATION REQUIRED WITH MINIMUM 1/4" APPROVED GYPSUM COVER BOARD

FULLY ADHERED RECOVER OVER APPROVED EXISTING WALL AND BASE FLASHINGS

- FULL SEPARATION REQUIRED WITH MINIMUM 1/2" PLYWOOD, 1/4" APPROVED GYPSUM COVER BOARD, OR 7/16" OSB

Scale: NTS	Detail Name: IB Pro-Loc Metal Coping - Parapet Flashing	Detail Number: T-PT-03
Submitted By: Address: Telephone:		Project: Address:



NOTES:

1. SINGLE COURSE WALL FLASHING MAXIMUM HEIGHTS:
 - A. 18' FOR MECHANICALLY ATTACHED FLASHING INDUCTION WELDED OR 60' FOR FULLY ADHERED FLASHINGS.
 - B. FOR WALLS EXCEEDING MAXIMUM HEIGHTS, REFER TO APPLICABLE TALL WALL DETAILS.
2. SECURE FLASHINGS AND METAL WORK IN ACCORDANCE WITH IB SPECIFICATIONS AND FLASHING SECUREMENT TABLE.
3. SEALANTS AND CAULKING REQUIRE PERIODIC OWNER MAINTENANCE.

APPROVED SUBSTRATE / SEPARATION:

NEW CONSTRUCTION - FULLY ADHERED, INDUCTION WELDED, AND MECHANICALLY ATTACHED

- 1/2" PLYWOOD, 7/16" OSB, 1/2" APPROVED GYPSUM COVER BOARD, POURED / PRECAST CONCRETE, OR CEMENT BLOCK / MASONRY WALLS.

MECHANICALLY ATTACHED RECOVER OVER APPROVED EXISTING WALL AND BASE FLASHINGS

- FULL SEPARATION REQUIRED WITH MINIMUM 1/2" PLYWOOD, 1/4" APPROVED GYPSUM COVER BOARD, 7/16" OSB, OR APPROVED

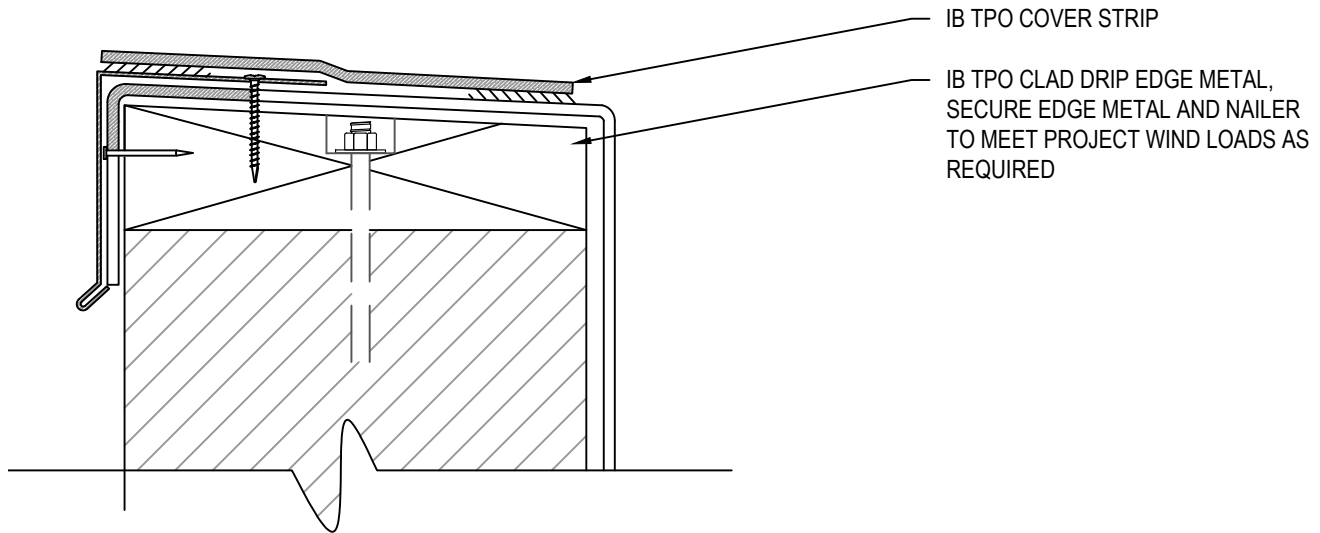
INDUCTION WELDED RECOVER OVER APPROVED EXISTING WALL AND BASE FLASHINGS

- FULL SEPARATION REQUIRED WITH MINIMUM 1/4" APPROVED GYPSUM COVER BOARD

FULLY ADHERED RECOVER OVER APPROVED EXISTING WALL AND BASE FLASHINGS

- FULL SEPARATION REQUIRED WITH MINIMUM 1/2" PLYWOOD, 1/4" APPROVED GYPSUM COVER BOARD, OR 7/16" OSB

Scale: NTS	Detail Name: IB Hi Wind Metal Coping - Parapet Wall	Detail Number: T-PT-04
Submitted By: Address: Telephone:		Project: Address:



NOTES:

1. SINGLE COURSE WALL FLASHING MAXIMUM HEIGHTS:
 - A. 18' FOR MECHANICALLY ATTACHED FLASHING INDUCTION WELDED OR 60' FOR FULLY ADHERED FLASHINGS.
 - B. FOR WALLS EXCEEDING MAXIMUM HEIGHTS, REFER TO APPLICABLE TALL WALL DETAILS.
2. SECURE FLASHINGS AND METAL WORK IN ACCORDANCE WITH IB SPECIFICATIONS AND FLASHING SECUREMENT TABLE.
3. SEALANTS AND CAULKING REQUIRE PERIODIC OWNER MAINTENANCE.
4. MAXIMUM WARRANTY TERM LIMITED TO TWENTY (20) YEARS FOR THIS DETAIL.

APPROVED SUBSTRATE / SEPARATION:

NEW CONSTRUCTION - FULLY ADHERED, INDUCTION WELDED, AND MECHANICALLY ATTACHED

- 1/2" PLYWOOD, 7/16" OSB, 1/2" APPROVED GYPSUM COVER BOARD, POURED / PRECAST CONCRETE, OR CEMENT BLOCK / MASONRY WALLS.

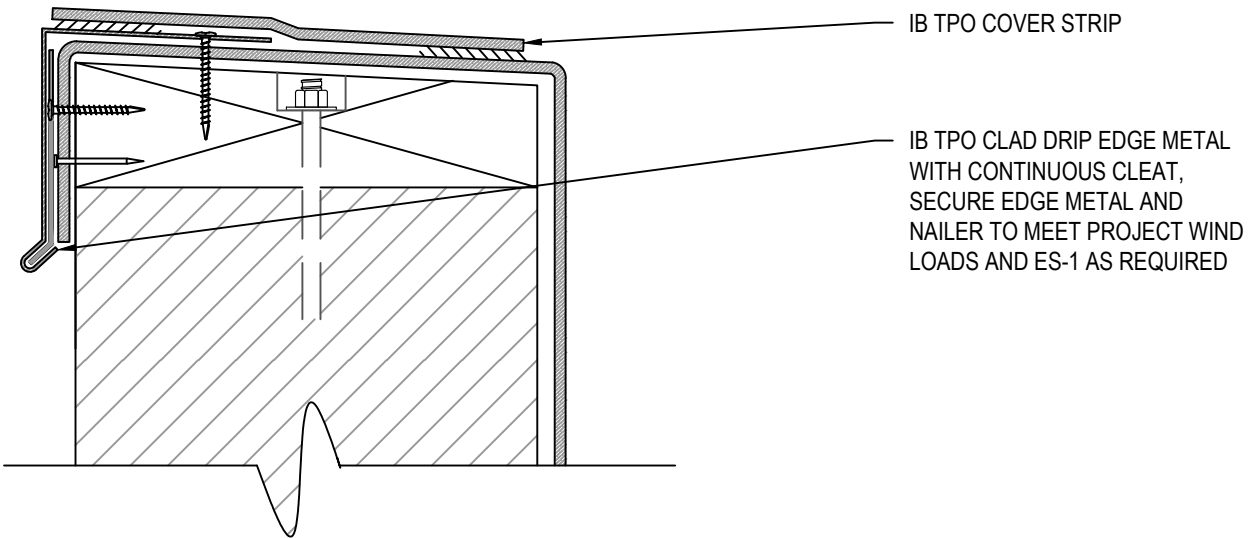
MECHANICALLY ATTACHED RECOVER OVER APPROVED EXISTING WALL AND BASE FLASHINGS

- FULL SEPARATION REQUIRED WITH MINIMUM 1/2" PLYWOOD, 1/4" APPROVED GYPSUM COVER BOARD, 7/16" OSB, OR APPROVED INDUCTION WELDED RECOVER OVER APPROVED EXISTING WALL AND BASE FLASHINGS

FULLY ADHERED RECOVER OVER APPROVED EXISTING WALL AND BASE FLASHINGS

- FULL SEPARATION REQUIRED WITH MINIMUM 1/2" PLYWOOD, 1/4" APPROVED GYPSUM COVER BOARD, OR 7/16" OSB

Scale: NTS	Detail Name: Parapet Fascia - IB TPO Clad Drip Edge	Detail Number: T-PT-05
Submitted By: Address: Telephone:		Project: Address:



NOTES:

1. SINGLE COURSE WALL FLASHING MAXIMUM HEIGHTS:
 - A. 18" FOR MECHANICALLY ATTACHED FLASHING INDUCTION WELDED, OR 60" FOR FULLY ADHERED FLASHINGS.
 - B. FOR WALLS EXCEEDING MAXIMUM HEIGHTS, REFER TO APPLICABLE TALL WALL DETAILS.
2. SECURE FLASHINGS AND METAL WORK IN ACCORDANCE WITH IB SPECIFICATIONS AND FLASHING SECUREMENT TABLE.
3. SEALANTS AND CAULKING REQUIRE PERIODIC OWNER MAINTENANCE.
4. MAXIMUM WARRANTY TERM LIMITED TO TWENTY (20) YEARS FOR THIS DETAIL.

APPROVED SUBSTRATE / SEPARATION:

NEW CONSTRUCTION - FULLY ADHERED, INDUCTION WELDED, AND MECHANICALLY ATTACHED

- 1/2" PLYWOOD, 7/16" OSB, 1/2" APPROVED GYPSUM COVER BOARD, POURED / PRECAST CONCRETE, OR CEMENT BLOCK / MASONRY WALLS.

MECHANICALLY ATTACHED RECOVER OVER APPROVED EXISTING WALL AND BASE FLASHINGS

- FULL SEPARATION REQUIRED WITH MINIMUM 1/2" PLYWOOD, 1/4" APPROVED GYPSUM COVER BOARD, 7/16" OSB, OR APPROVED

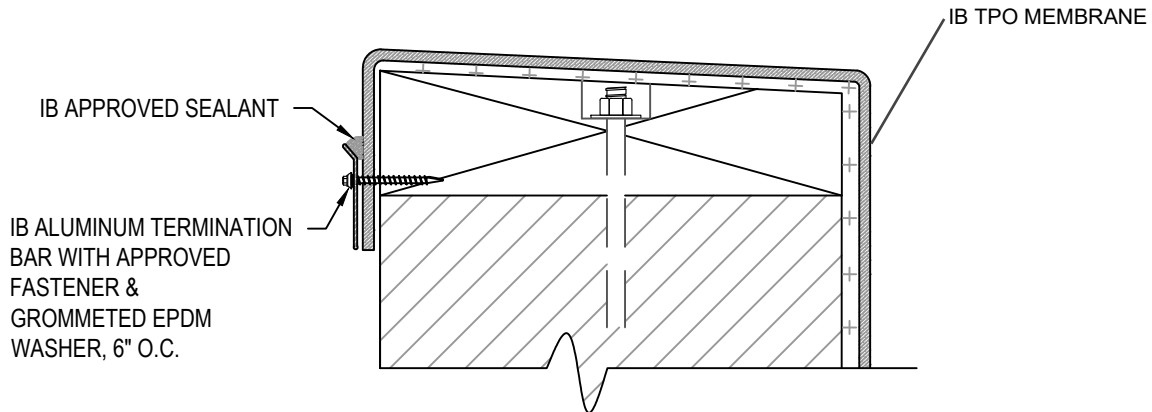
INDUCTION WELDED RECOVER OVER APPROVED EXISTING WALL AND BASE FLASHINGS

- FULL SEPARATION REQUIRED WITH MINIMUM 1/4" APPROVED GYPSUM COVER BOARD

FULLY ADHERED RECOVER OVER APPROVED EXISTING WALL AND BASE FLASHINGS

- FULL SEPARATION REQUIRED WITH MINIMUM 1/2" PLYWOOD, 1/4" APPROVED GYPSUM COVER BOARD, OR 7/16" OSB

Scale: NTS	Detail Name: Parapet Fascia - IB TPO Cleated Clad Drip Edge	Detail Number: T-PT-06
Submitted By: Address: Telephone:		Project: Address:



NOTES:

1. SINGLE COURSE WALL FLASHING MAXIMUM HEIGHTS:
 - A. 18' FOR MECHANICALLY ATTACHED FLASHING INDUCTION WELDED OR 60' FOR FULLY ADHERED FLASHINGS.
 - B. FOR WALLS EXCEEDING MAXIMUM HEIGHTS, REFER TO APPLICABLE TALL WALL DETAILS.
2. SECURE FLASHINGS AND METAL WORK IN ACCORDANCE WITH IB SPECIFICATIONS AND FLASHING SECUREMENT TABLE.
3. SEALANTS AND CAULKING REQUIRE PERIODIC OWNER MAINTENANCE.
4. MAXIMUM WARRANTY TERM LIMITED TO TWENTY (20) YEARS FOR THIS DETAIL.

APPROVED SUBSTRATE / SEPARATION:

NEW CONSTRUCTION - FULLY ADHERED, INDUCTION WELDED, AND MECHANICALLY ATTACHED

- 1/2" PLYWOOD, 7/16" OSB, 1/2" APPROVED GYPSUM COVER BOARD, POURED / PRECAST CONCRETE, OR CEMENT BLOCK / MASONRY WALLS.

MECHANICALLY ATTACHED RECOVER OVER APPROVED EXISTING WALL AND BASE FLASHINGS

- FULL SEPARATION REQUIRED WITH MINIMUM 1/2" PLYWOOD, 1/4" APPROVED GYPSUM COVER BOARD, 7/16" OSB, OR APPROVED

INDUCTION WELDED RECOVER OVER APPROVED EXISTING WALL AND BASE FLASHINGS

- FULL SEPARATION REQUIRED WITH MINIMUM 1/4" APPROVED GYPSUM COVER BOARD

FULLY ADHERED RECOVER OVER APPROVED EXISTING WALL AND BASE FLASHINGS

- FULL SEPARATION REQUIRED WITH MINIMUM 1/2" PLYWOOD, 1/4" APPROVED GYPSUM COVER BOARD, OR 7/16" OSB

Scale: NTS	Detail Name: Exterior Parapet Wall Termination - Aluminum Termination Bar	Detail Number: T-PT-07
Submitted By: Address: Telephone:		Project: Address: