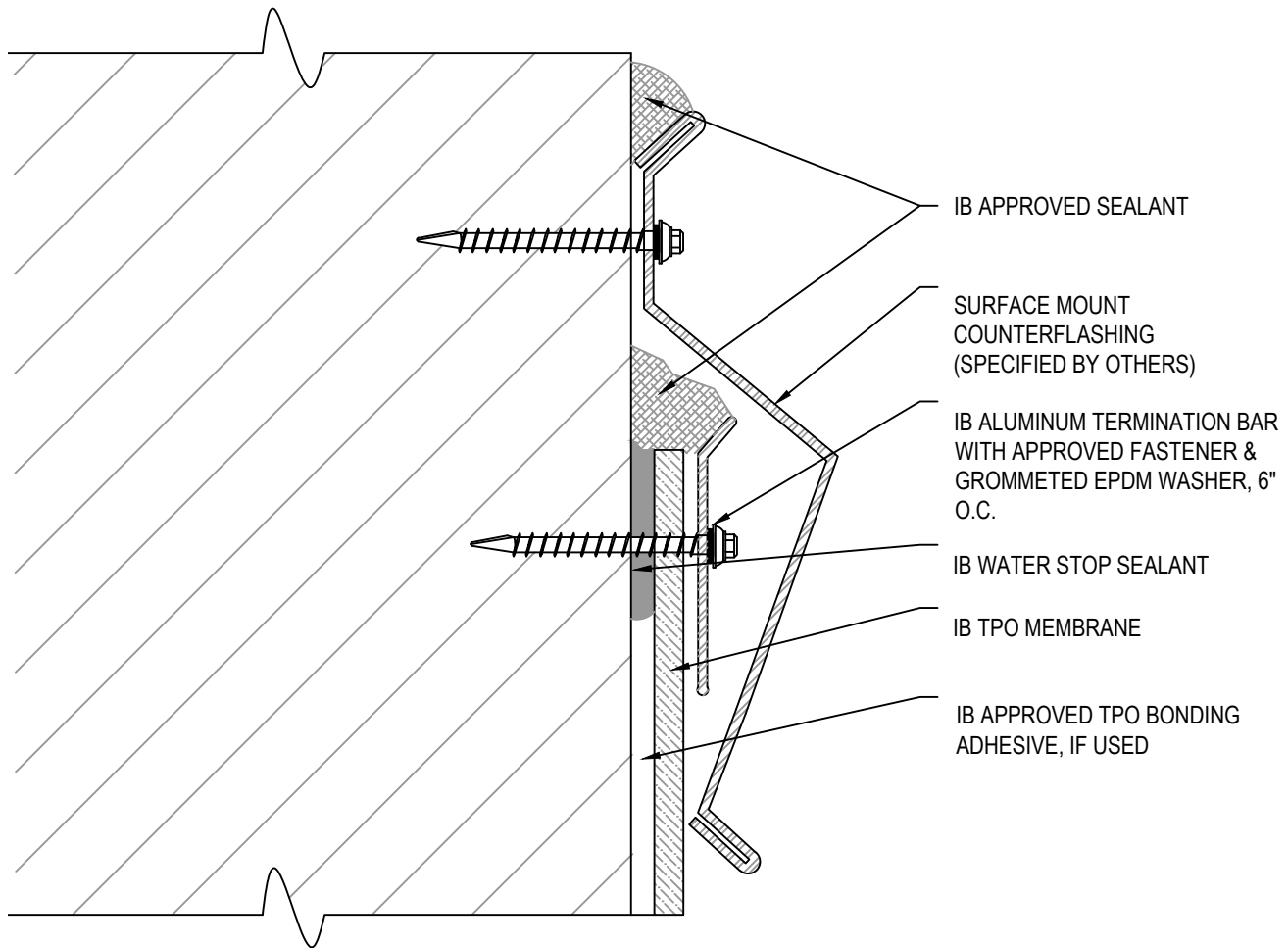




# Walls & Base Flashing Terminations



**NOTES:**

1. STANDARD BASE FLASHINGS 8" ABOVE THE ROOF.
2. ADHERED WALLS: INSTALL MEMBRANE IN IB TPO BONDING ADHESIVE APPLIED AT APPROVED APPLICATION RATE. INSTALLED COVERAGE (50% TO SUBSTRATE ALLOW TO DRY WITH REMAINING 50% TO BACK OF SHEET, INSTALL WHILE TACKY)
3. SECURE FLASHINGS AND METAL WORK IN ACCORDANCE WITH IB SPECIFICATIONS AND FLASHING SECUREMENT TABLE.
4. SEALANTS AND CAULKING REQUIRE PERIODIC OWNER MAINTENANCE

**APPROVED SUBSTRATE / SEPARATION:**

NEW CONSTRUCTION - FULLY ADHERED, INDUCTION WELDED AND MECHANICALLY ATTACHED

- 1/2" PLYWOOD, 7/16" OSB, POURED / PRECAST CONCRETE, OR CEMENT BLOCK / MASONRY WALLS

MECHANICALLY ATTACHED RECOVER OVER APPROVED EXISTING WALL AND BASE FLASHINGS

- FULL SEPARATION REQUIRED WITH MINIMUM 1/2" PLYWOOD, 1/4" APPROVED GYPSUM COVER BOARD, 7/16" OSB, OR APPROVED IB SEPARATION SHEET

INDUCTION WELDED RECOVER OVER APPROVED EXISTING WALL AND BASE FLASHINGS

- FULL SEPARATION REQUIRED WITH MINIMUM 1/4" APPROVED GYPSUM COVER BOARD

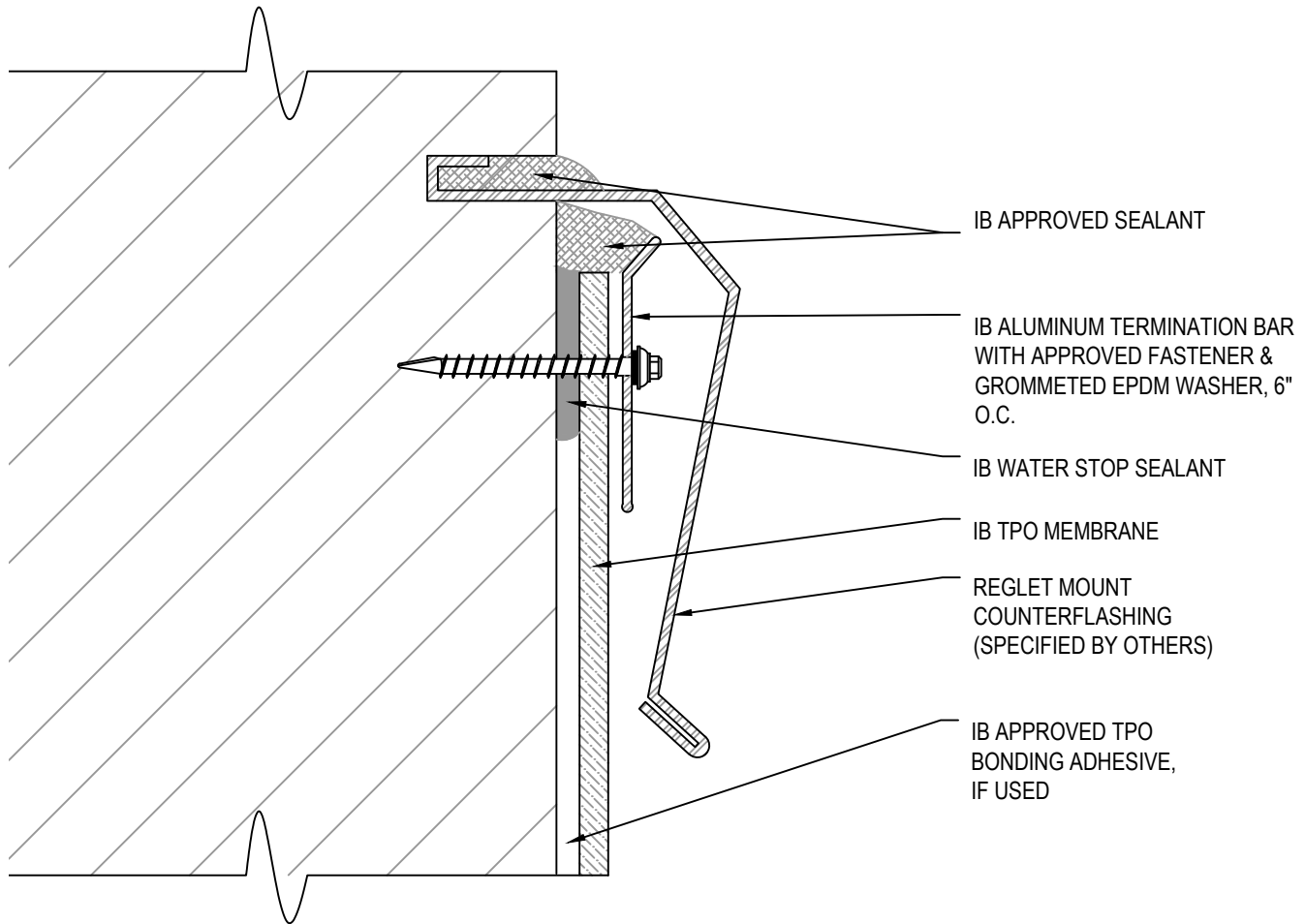
FULLY ADHERED RECOVER OVER APPROVED EXISTING WALL AND BASE FLASHINGS

- FULL SEPARATION REQUIRED WITH MINIMUM 1/2" PLYWOOD, 1/4" APPROVED GYPSUM COVER BOARD, OR 7/16" OSB

Scale: NTS	Detail Name: <b>Surface Mount Counterflashing for TPO</b>	Detail Number: <b>T-FT-01</b>
Submitted By: Address: Telephone:		Project: Address:



# Walls & Base Flashing Terminations



**NOTES:**

1. STANDARD BASE FLASHINGS 8" ABOVE THE ROOF.
2. ADHERED WALLS: INSTALL MEMBRANE IN IB TPO BONDING ADHESIVE APPLIED AT APPROVED APPLICATION RATE. INSTALLED COVERAGE (50% TO SUBSTRATE ALLOW TO DRY WITH REMAINING 50% TO BACK OF SHEET, INSTALL WHILE TACKY)
3. SECURE FLASHINGS AND METAL WORK IN ACCORDANCE WITH IB SPECIFICATIONS AND FLASHING SECUREMENT TABLE.
4. SEALANTS AND CAULKING REQUIRE PERIODIC OWNER MAINTENANCE

**APPROVED SUBSTRATE / SEPARATION:**

NEW CONSTRUCTION - FULLY ADHERED, INDUCTION WELDED, AND MECHANICALLY ATTACHED

- POURED / PRECAST CONCRETE, OR CEMENT BLOCK / MASONRY WALLS

MECHANICALLY ATTACHED RECOVER OVER APPROVED EXISTING WALL AND BASE FLASHINGS

- FULL SEPARATION REQUIRED WITH MINIMUM 1/2" PLYWOOD, 1/4" APPROVED GYPSUM COVER BOARD, 7/16" OSB, OR APPROVED IB SEPARATION SHEET

INDUCTION WELDED RECOVER OVER APPROVED EXISTING WALL AND BASE FLASHINGS

- FULL SEPARATION REQUIRED WITH MINIMUM 1/4" APPROVED GYPSUM COVER BOARD

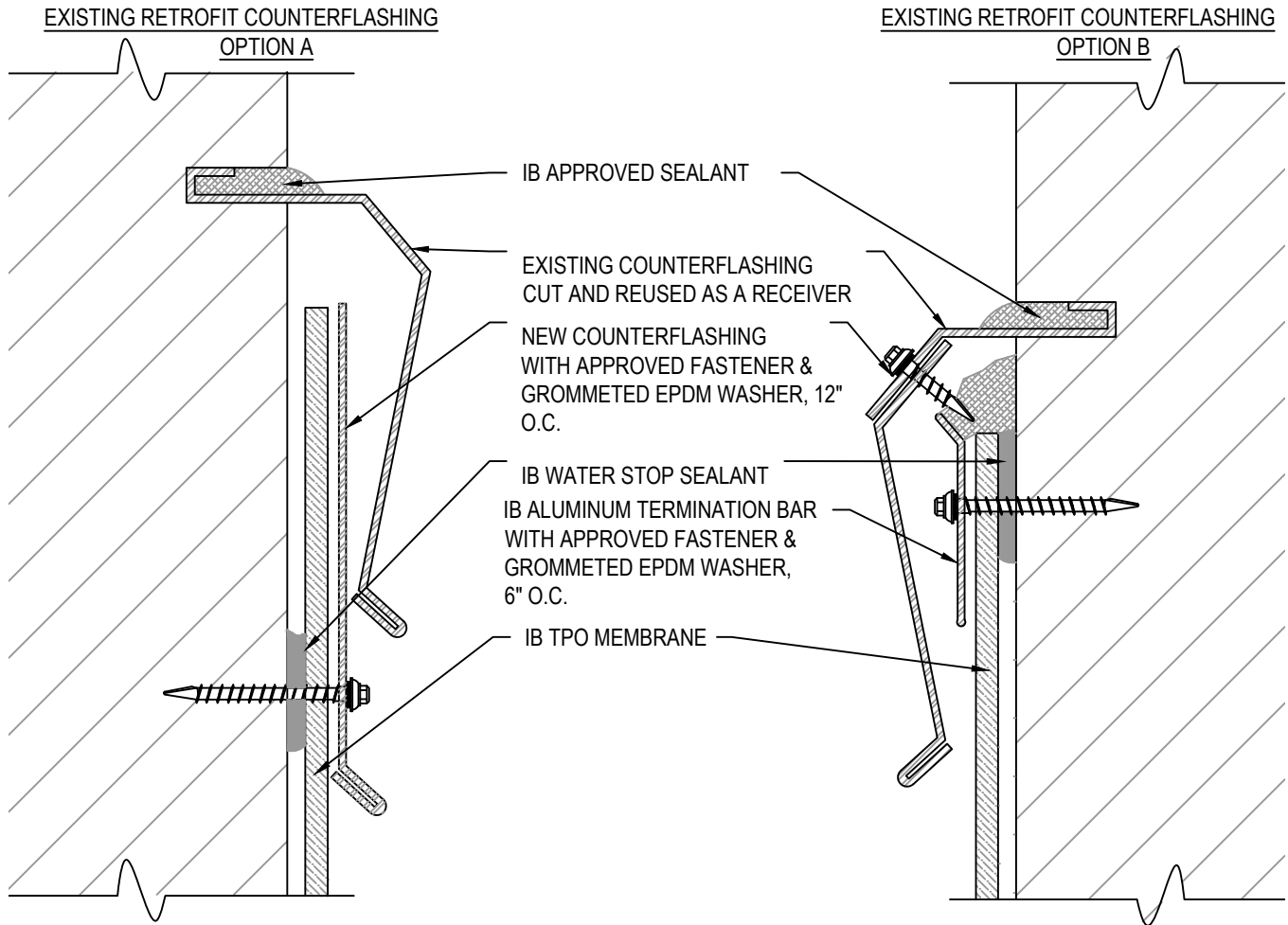
FULLY ADHERED RECOVER OVER APPROVED EXISTING WALL AND BASE FLASHINGS

- FULL SEPARATION REQUIRED WITH MINIMUM 1/2" PLYWOOD, 1/4" APPROVED GYPSUM COVER BOARD, OR 7/16" OSB

Scale: NTS	Detail Name: <b>Reglet Mount - Two Piece Counterflashing for TPO</b>	Detail Number: <b>T-FT-02</b>
Submitted By: Address: Telephone:		Project: Address:



# Walls & Base Flashing Terminations



**NOTES:**

1. STANDARD BASE FLASHINGS 8" ABOVE THE ROOF.
2. ADHERED WALLS: INSTALL MEMBRANE IN IB TPO BONDING ADHESIVE APPLIED AT APPROVED APPLICATION RATE. INSTALLED COVERAGE (50% TO SUBSTRATE ALLOW TO DRY WITH REMAINING 50% TO BACK OF SHEET, INSTALL WHILE TACKY)
3. SECURE FLASHINGS AND METAL WORK IN ACCORDANCE WITH IB SPECIFICATIONS AND FLASHING SECUREMENT TABLE.
4. SEALANTS AND CAULKING REQUIRE PERIODIC OWNER MAINTENANCE

**APPROVED SUBSTRATE / SEPARATION:**

MECHANICALLY ATTACHED RECOVER OVER APPROVED EXISTING WALL AND BASE FLASHINGS

- FULL SEPARATION REQUIRED WITH MINIMUM 1/2" PLYWOOD, 1/4" APPROVED GYPSUM COVER BOARD, 7/16" OSB, OR APPROVED IB SEPARATION SHEET

INDUCTION WELDED RECOVER OVER APPROVED EXISTING WALL AND BASE FLASHINGS

- FULL SEPARATION REQUIRED WITH MINIMUM 1/4" APPROVED GYPSUM COVER BORD

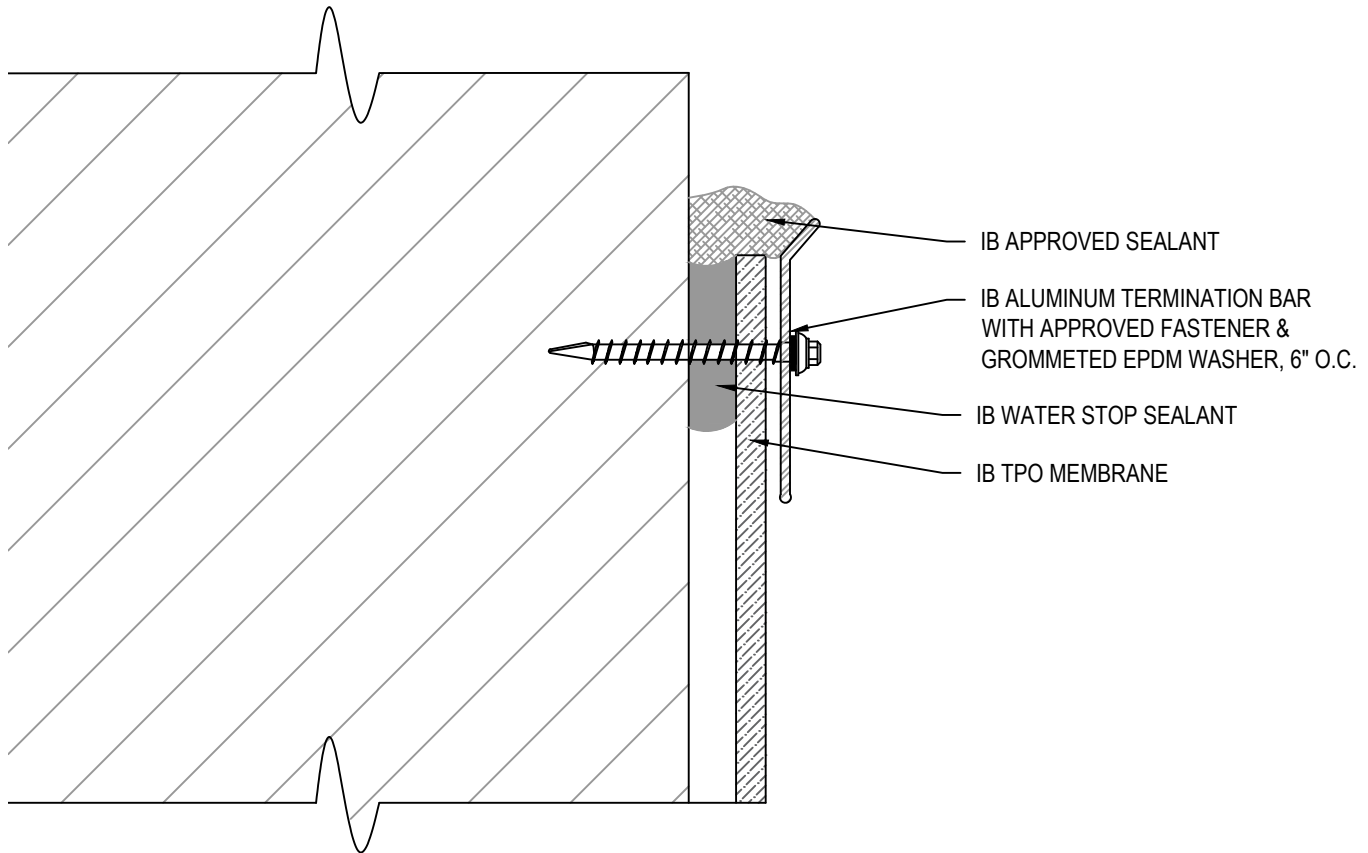
FULLY ADHERED RECOVER OVER APPROVED EXISTING WALL AND BASE FLASHINGS

- FULL SEPARATION REQUIRED WITH MINIMUM 1/2" PLYWOOD, 1/4" APPROVED GYPSUM COVER BOARD, OR 7/16" OSB

Scale: NTS	Detail Name: <b>Retrofit Reglet Mount Counterflashing for TPO</b>	Detail Number: <b>T-FT-03</b>
Submitted By: Address: Telephone:		Project: Address:



# Walls & Base Flashing Terminations



**NOTES:**

1. STANDARD BASE FLASHINGS 8" ABOVE THE ROOF.
2. SINGLE COURSE BASE / WALL FLASHING MAXIMUM HEIGHTS:
  - A. 18" FOR MECHANICALLY ATTACHED FLASHINGS OR 60" FOR FULLY ADHERED FLASHINGS
  - B. FOR WALLS EXCEEDING MAXIMUM HEIGHTS, REFER TO MECHANICALLY ATTACHED OR ADHERED TALL WALL DETAILS.
3. ADHERED WALLS: INSTALL MEMBRANE IN IB TPO BONDING ADHESIVE APPLIED AT APPROVED APPLICATION RATE. INSTALLED COVERAGE (50% TO SUBSTRATE ALLOW TO DRY WITH REMAINING 50% TO BACK OF SHEET, INSTALL WHILE TACKY)
4. SECURE FLASHINGS AND METAL WORK IN ACCORDANCE WITH IB SPECIFICATIONS AND FLASHING SECUREMENT TABLE.
5. SEALANTS AND CAULKING REQUIRE PERIODIC OWNER MAINTENANCE
6. **MAXIMUM WARRANTY TERM LIMITED TO TWENTY (20) YEARS FOR THIS DETAIL**

**APPROVED SUBSTRATE / SEPARATION:**

NEW CONSTRUCTION - FULLY ADHERED, INDUCTION WELDED, AND MECHANICALLY ATTACHED

- 1/2" PLYWOOD, 7/16" OSB, POURED / PRECAST CONCRETE, OR CEMENT BLOCK / MASONRY WALLS

MECHANICALLY ATTACHED RECOVER OVER APPROVED EXISTING WALL AND BASE FLASHINGS

- FULL SEPARATION REQUIRED WITH MINIMUM 1/2" PLYWOOD, 1/4" APPROVED GYPSUM COVER BOARD, 7/16" OSB, OR APPROVED IB SEPARATION SHEET

INDUCTION WELDED RECOVER OVER APPROVED EXISTING WALL AND BASE FLASHINGS

- FULL SEPARATION REQUIRED WITH MINIMUM 1/4" APPROVED GYPSUM COVER BOARD

FULLY ADHERED RECOVER OVER APPROVED EXISTING WALL AND BASE FLASHINGS

- FULL SEPARATION REQUIRED WITH MINIMUM 1/2" PLYWOOD, 1/4" APPROVED GYPSUM COVER BOARD, OR 7/16" OSB

Scale: NTS	Detail Name: <b>Termination Bar for TPO</b>	Detail Number: <b>T-FT-04</b>
Submitted By: Address: Telephone:		Project: Address: