

**NOTES:**

1. STANDARD BASE FLASHINGS 8" ABOVE THE ROOF.
2. ADHERED WALLS: INSTALL MEMBRANE IN IB TPO BONDING ADHESIVE PER APPROVED APPLICATION RATE.  
INSTALLED COVERAGE (50% TO SUBSTRATE ALLOW TO DRY WITH REMAINING 50% TO BACK OF SHEET, INSTALL WHILE TACKY)
3. SECURE FLASHINGS AND METAL WORK IN ACCORDANCE WITH IB SPECIFICATIONS AND FLASHING SECUREMENT TABLE.
4. SEALANTS AND CAULKING REQUIRE PERIODIC OWNER MAINTENANCE

**APPROVED SUBSTRATE / SEPARATION:**

NEW CONSTRUCTION - FULLY ADHERED, INDUCTION WELDED, AND MECHANICALLY ATTACHED

- 1/2" PLYWOOD, 7/16" OSB, POURED / PRECAST CONCRETE, OR CEMENT BLOCK / MASONRY WALLS

MECHANICALLY ATTACHED RECOVER OVER APPROVED EXISTING WALL AND BASE FLASHINGS

- FULL SEPARATION REQUIRED WITH MINIMUM 1/2" PLYWOOD, 1/4" APPROVED GYPSUM COVER BOARD, 7/16" OSB, OR APPROVED IB SEPARATION SHEET

INDUCTION WELD RECOVER OVER APPROVED EXISTING WALL AND BASE FLASHINGS

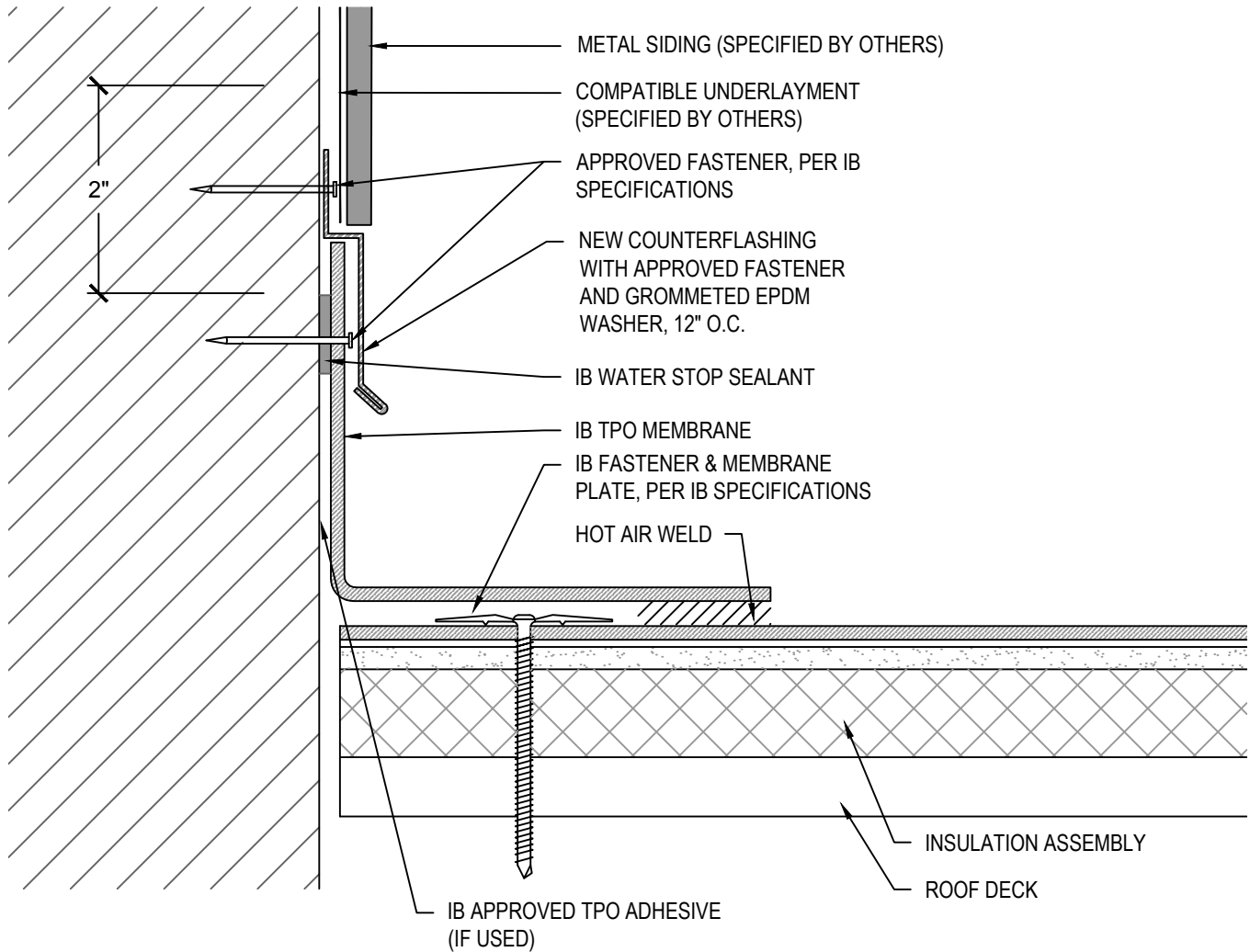
- FULL SEPARATION REQUIRED WITH MINIMUM 1/4" APPROVED GYPSUM COVER BOARD

FULLY ADHERED RECOVER OVER APPROVED EXISTING WALL AND BASE FLASHINGS

- FULL SEPARATION REQUIRED WITH MINIMUM 1/2" PLYWOOD, 1/4" APPROVED GYPSUM COVER BOARD, OR 7/16" OSB

Scale: NTS	Detail Name: <b>TPO Base Flashing At Siding Wall</b>	Detail Number: <b>T-BF-01</b>
---------------	---	----------------------------------

Submitted By: Address: Telephone:	Project: Address:
---	----------------------



**NOTES:**

1. STANDARD BASE FLASHINGS 8" ABOVE THE ROOF.
2. ADHERED WALLS: INSTALL MEMBRANE IN IB TPO BONDING ADHESIVE PER APPROVED APPLICATION RATE. INSTALLED COVERAGE (50% TO SUBSTRATE ALLOW TO DRY WITH REMAINING 50% TO BACK OF SHEET, INSTALL WHILE TACKY)
3. SECURE FLASHINGS AND METAL WORK IN ACCORDANCE WITH IB SPECIFICATIONS AND FLASHING SECUREMENT TABLE.
4. SEALANTS AND CAULKING REQUIRE PERIODIC OWNER MAINTENANCE

**APPROVED SUBSTRATE / SEPARATION:**

NEW CONSTRUCTION - FULLY ADHERED, INDUCTION WELDED, AND MECHANICALLY ATTACHED

- 1/2" PLYWOOD, 7/16" OSB, POURED / PRECAST CONCRETE, OR CEMENT BLOCK / MASONRY WALLS

MECHANICALLY ATTACHED RECOVER OVER APPROVED EXISTING WALL AND BASE FLASHINGS

- FULL SEPARATION REQUIRED WITH MINIMUM 1/2" PLYWOOD, 1/4" APPROVED GYPSUM COVER BOARD, 7/16" OSB, OR APPROVED IB SEPARATION SHEET

INDUCTION WELD RECOVER OVER APPROVED EXISTING WALL AND BASE FLASHINGS

- FULL SEPARATION REQUIRED WITH MINIMUM 1/4" APPROVED GYPSUM COVER BOARD

FULLY ADHERED RECOVER OVER APPROVED EXISTING WALL AND BASE FLASHINGS

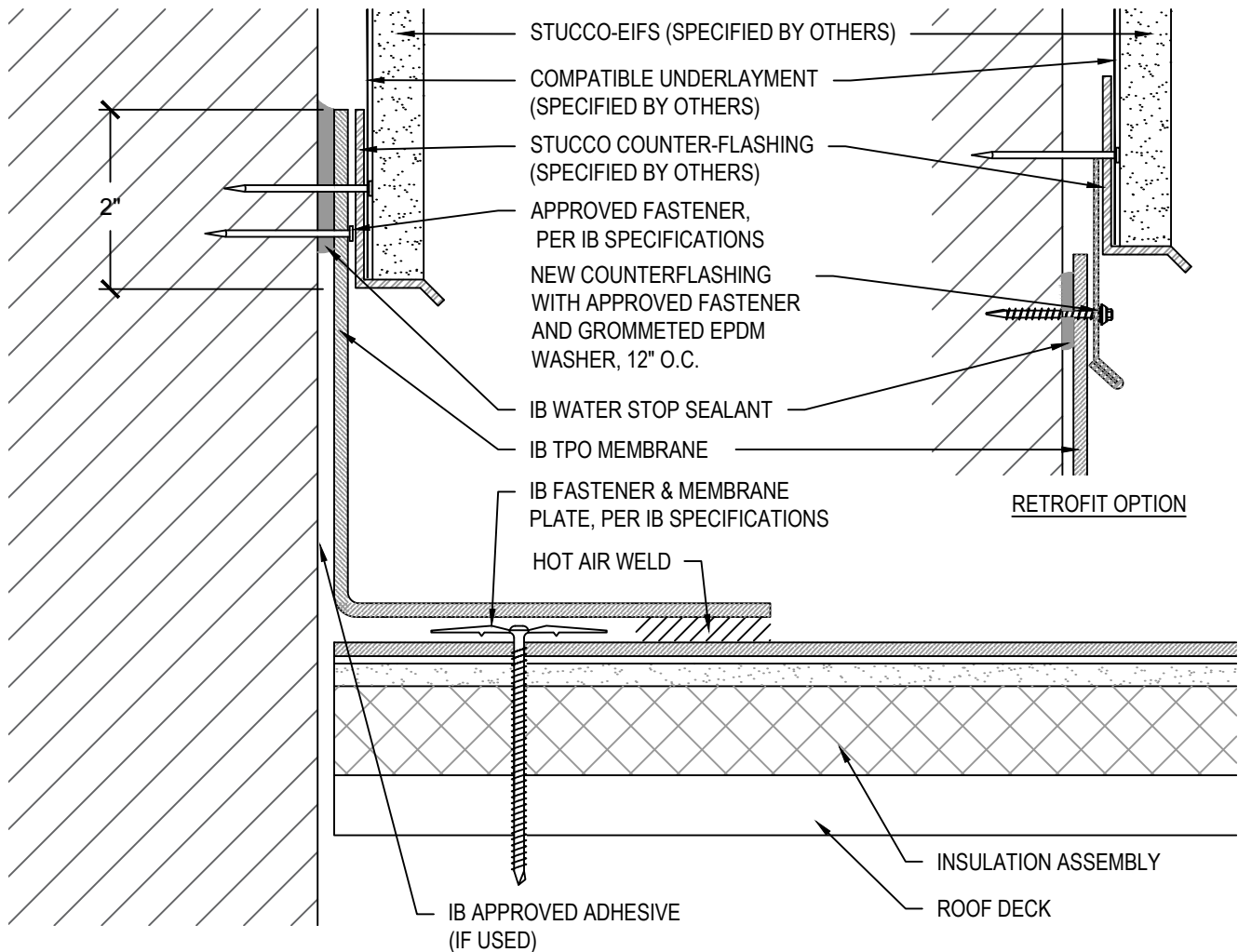
- FULL SEPARATION REQUIRED WITH MINIMUM 1/2" PLYWOOD, 1/4" APPROVED GYPSUM COVER BOARD, OR 7/16" OSB

Scale: NTS	Detail Name: <b>TPO Base Flashing At Metal Siding Wall</b>	Detail Number: <b>T-BF-02</b>
---------------	---	----------------------------------

Submitted By: Address: Telephone:	Project: Address:
---	----------------------



**Base Flashings**



**NOTES:**

1. STANDARD BASE FLASHINGS 8" ABOVE THE ROOF.
2. ADHERED WALLS: INSTALL MEMBRANE IN IB TPO BONDING ADHESIVE PER APPROVED APPLICATION RATE. INSTALLED COVERAGE (50% TO SUBSTRATE ALLOW TO DRY WITH REMAINING 50% TO BACK OF SHEET, INSTALL WHILE TACKY)
3. SECURE FLASHINGS AND METAL WORK IN ACCORDANCE WITH IB SPECIFICATIONS AND FLASHING SECUREMENT TABLE.
4. SEALANTS AND CAULKING REQUIRE PERIODIC OWNER MAINTENANCE

**APPROVED SUBSTRATE / SEPARATION:**

**NEW CONSTRUCTION - FULLY ADHERED, INDUCTION WELDED, AND MECHANICALLY ATTACHED**

- 1/2" PLYWOOD, 7/16" OSB, 1/2" APPROVED GYPSUM COVER BOARD, POURED / PRECAST CONCRETE, OR CEMENT BLOCK / MASONRY WALLS

**MECHANICALLY ATTACHED RECOVER OVER APPROVED EXISTING WALL AND BASE FLASHINGS**

- FULL SEPARATION REQUIRED WITH MINIMUM 1/2" PLYWOOD, 1/4" APPROVED GYPSUM COVER BOARD, 7/16" OSB, OR APPROVED IB SEPARATION SHEET

**INDUCTION WELDED RECOVER OVER APPROVED EXISTING WALL AND BASE FLASHINGS**

- FULL SEPARATION REQUIRED WITH MINIMUM 1/4" APPROVED GYPSUM COVER BOARD

**FULLY ADHERED RECOVER OVER APPROVED EXISTING WALL AND BASE FLASHINGS**

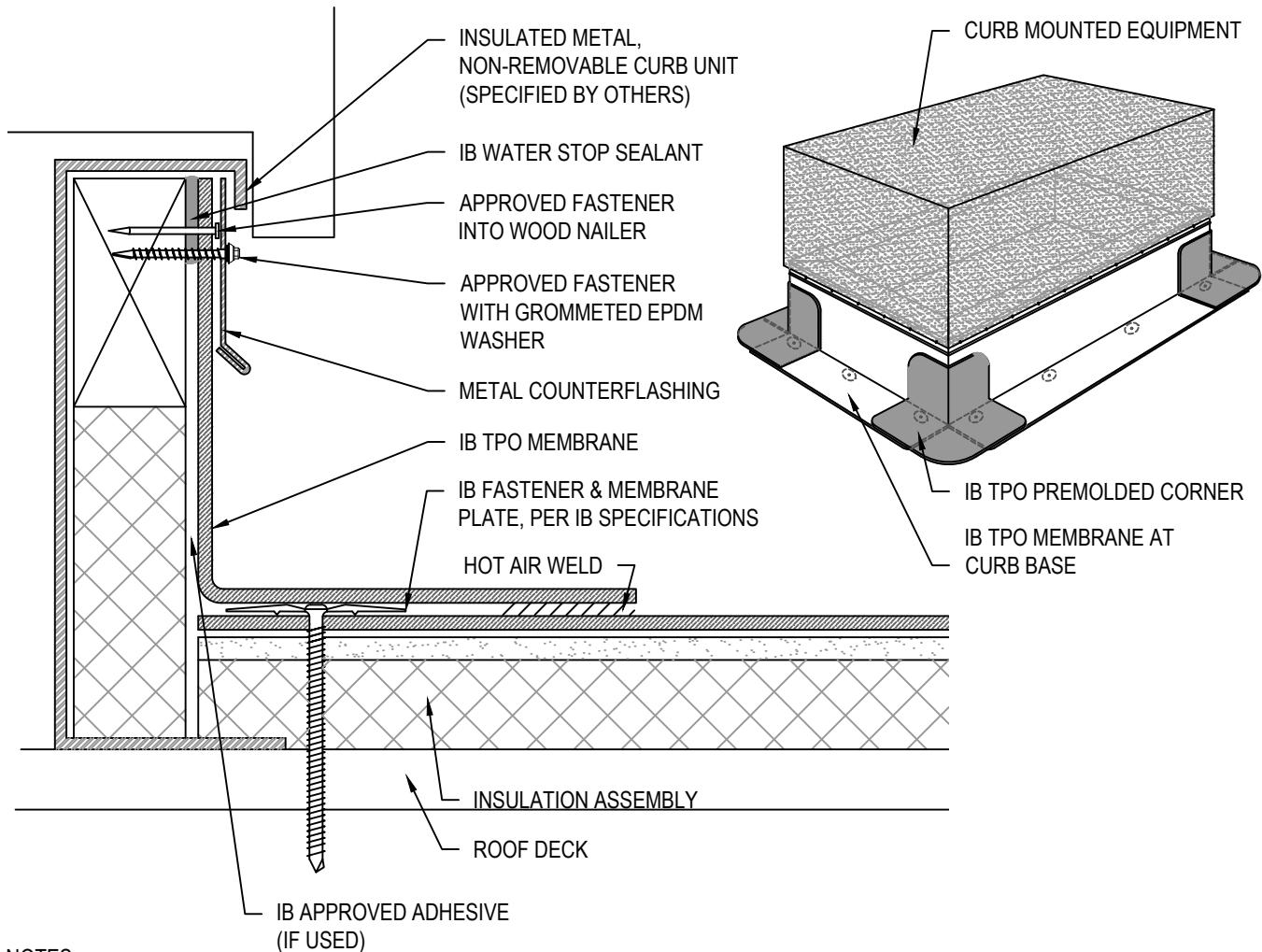
- FULL SEPARATION REQUIRED WITH MINIMUM 1/2" PLYWOOD, 1/4" APPROVED GYPSUM COVER BOARD, OR 7/16" OSB

Scale: NTS	Detail Name: <b>TPO Base Flashing At Stucco/EIFS Wall</b>	Detail Number: <b>T-BF-03</b>
---------------	--	----------------------------------

Submitted By: Address: Telephone:	Project: Address:
---	----------------------



**Base Flashings**



**NOTES:**

1. STANDARD BASE FLASHINGS 8" ABOVE THE ROOF.
2. ADHERED WALLS: INSTALL MEMBRANE IN IB TPO BONDING ADHESIVE AT APPROVED APPLICATION RATE. INSTALLED COVERAGE (50% TO SUBSTRATE ALLOW TO DRY WITH REMAINING 50% TO BACK OF SHEET, INSTALL WHILE TACKY)
3. SECURE FLASHINGS AND METAL WORK IN ACCORDANCE WITH IB SPECIFICATIONS AND FLASHING SECUREMENT TABLE.
4. SEALANTS AND CAULKING REQUIRE PERIODIC OWNER MAINTENANCE

**APPROVED SUBSTRATE / SEPARATION:**

NEW CONSTRUCTION - FULLY ADHERED, INDUCTION WELDED, AND MECHANICALLY ATTACHED

- 1/2" PLYWOOD, 7/16" OSB, 1/2" APPROVED GYPSUM COVER BOARD, POURED / PRECAST CONCRETE, OR CEMENT BLOCK / MASONRY WALLS

MECHANICALLY ATTACHED RECOVER OVER APPROVED EXISTING WALL AND BASE FLASHINGS

- FULL SEPARATION REQUIRED WITH MINIMUM 1/2" PLYWOOD, 1/4" APPROVED GYPSUM COVER BOARD, 7/16" OSB, OR APPROVED IB SEPARATION SHEET

INDUCTION WELDED RECOVER OVER APPROVED EXISTING WALL AND BASE FLASHINGS

- FULL SEPARATION REQUIRED WITH MINIMUM 1/4" APPROVED GYPSUM BOARD

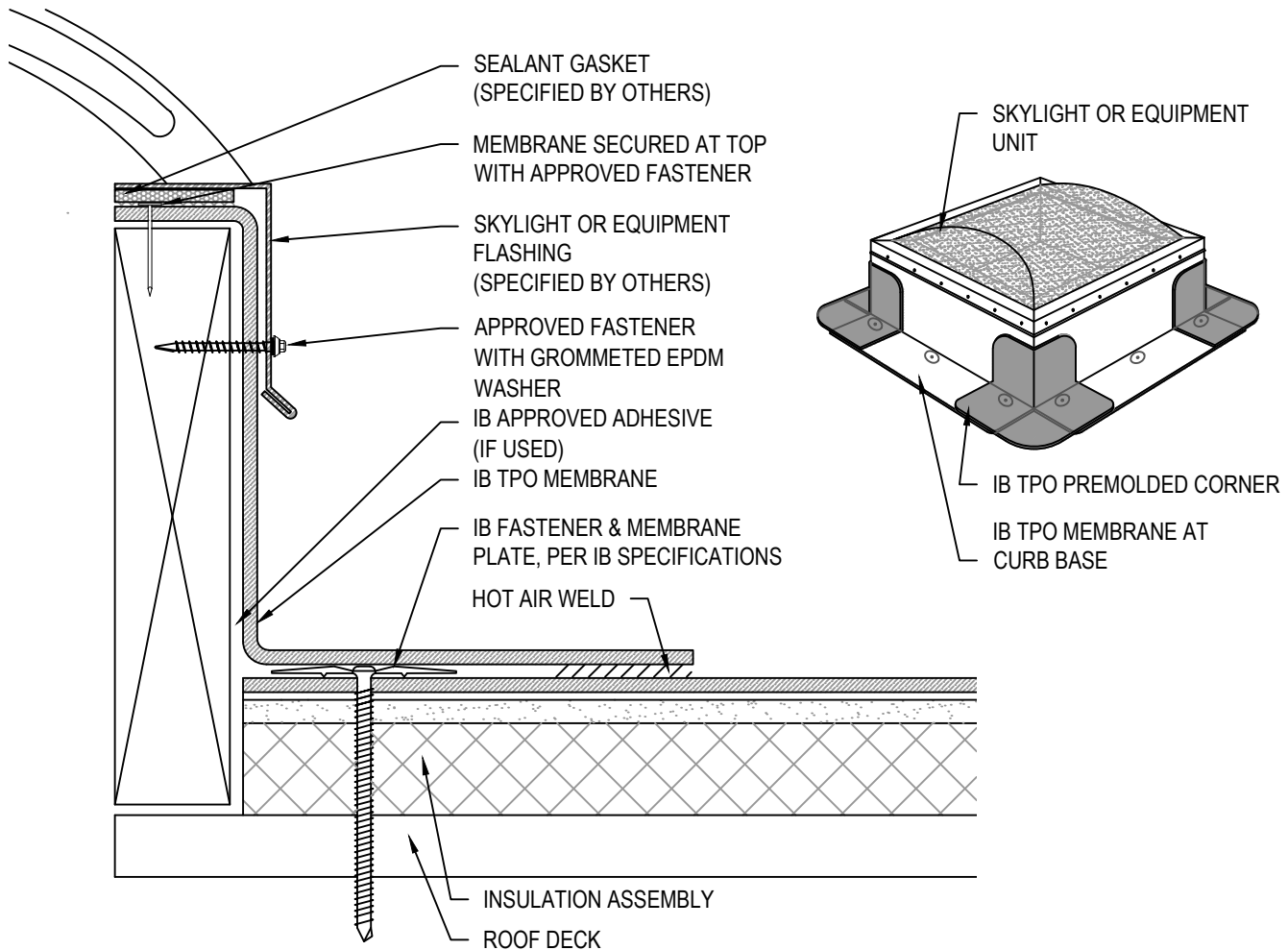
FULLY ADHERED RECOVER OVER APPROVED EXISTING WALL AND BASE FLASHINGS

- FULL SEPARATION REQUIRED WITH MINIMUM 1/2" PLYWOOD, 1/4" APPROVED GYPSUM COVER BOARD, OR 7/16" OSB

Scale: NTS	Detail Name: <b>TPO Curb Mounted Equipment Flashing</b>	Detail Number: <b>T-BF-04</b>
Submitted By: Address: Telephone:		Project: Address:



**Base Flashings**



**NOTES:**

1. STANDARD BASE FLASHINGS 8" ABOVE THE ROOF.
2. ADHERED WALLS: INSTALL MEMBRANE IN IB TPO BONDING ADHESIVE PER APPROVED APPLICATION RATE. INSTALLED COVERAGE (50% TO SUBSTRATE ALLOW TO DRY WITH REMAINING 50% TO BACK OF SHEET, INSTALL WHILE TACKY)
3. SECURE FLASHINGS AND METAL WORK IN ACCORDANCE WITH IB SPECIFICATIONS AND FLASHING SECUREMENT TABLE.
4. SEALANTS AND CAULKING REQUIRE PERIODIC OWNER MAINTENANCE

**APPROVED SUBSTRATE / SEPARATION:**

NEW CONSTRUCTION - FULLY ADHERED, INDUCTION WELDED, AND MECHANICALLY ATTACHED

- 1/2" PLYWOOD, 7/16" OSB, 1/2" APPROVED GYPSUM COVER BOARD, POURED / PRECAST CONCRETE, OR CEMENT BLOCK / MASONRY WALLS

MECHANICALLY ATTACHED RECOVER OVER APPROVED EXISTING WALL AND BASE FLASHINGS

- FULL SEPARATION REQUIRED WITH MINIMUM 1/2" PLYWOOD, 1/4" APPROVED GYPSUM COVER BOARD, 7/16" OSB, OR APPROVED IB SEPARATION SHEET

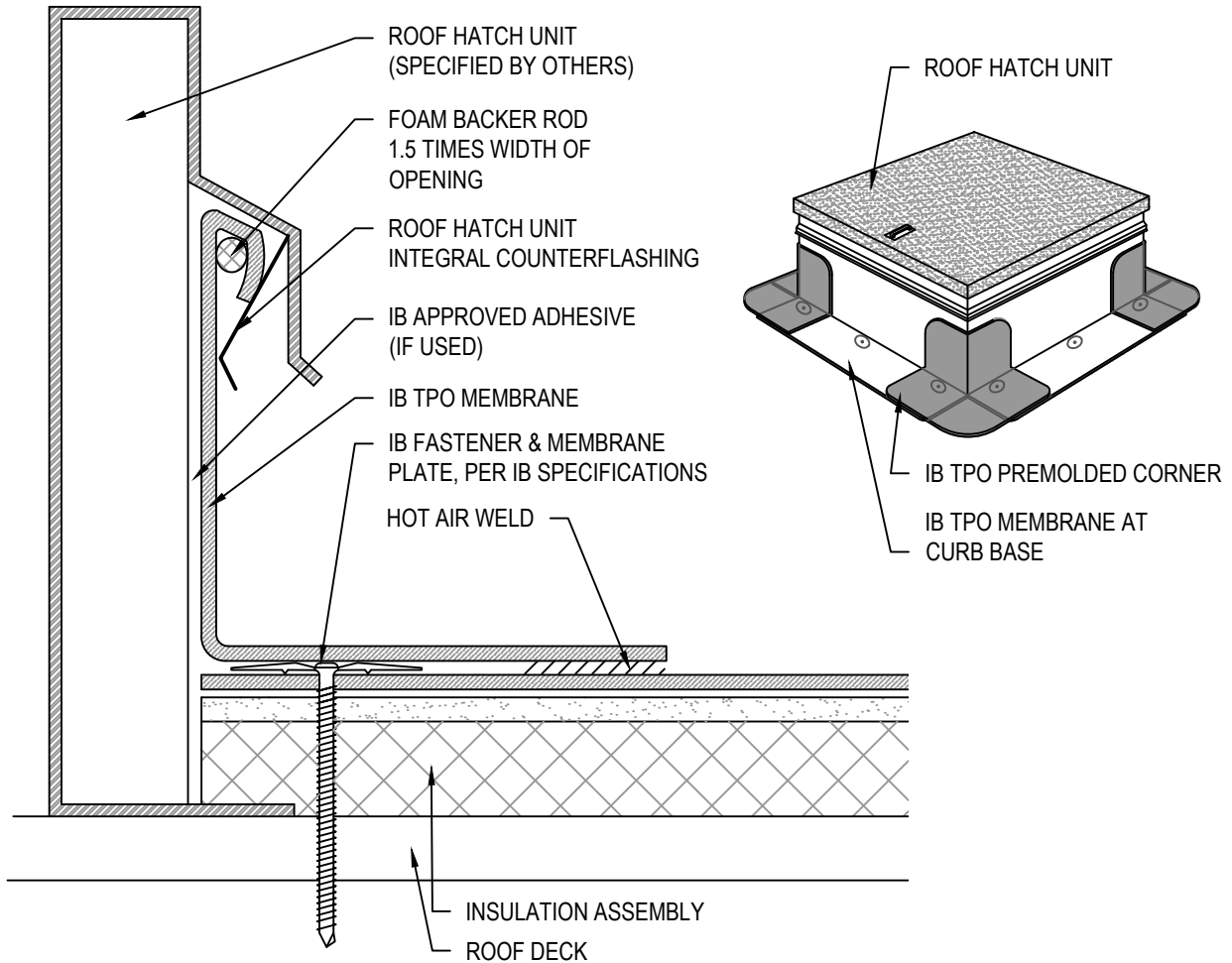
INDUCTION WELDED RECOVER OVER APPROVED EXISTING WALL AND BASE FLASHINGS

- FULL SEPARATION REQUIRED WITH MINIMUM 1/4" APPROVED GYPSUM COVER BOARD

FULLY ADHERED RECOVER OVER APPROVED EXISTING WALL AND BASE FLASHINGS

- FULL SEPARATION REQUIRED WITH MINIMUM 1/2" PLYWOOD, 1/4" APPROVED GYPSUM COVER BOARD, OR 7/16" OSB

Scale: NTS	Detail Name: <b>TPO Curb Mounted Removable Skylight /Unit Flashing</b>	Detail Number: <b>T-BF-05</b>
Submitted By: Address: Telephone:		Project: Address:



**NOTES:**

1. STANDARD BASE FLASHINGS 8" ABOVE THE ROOF.
2. ADHERED WALLS: INSTALL MEMBRANE IN IB TPO BONDING ADHESIVE PER APPROVED APPLICATION RATE. INSTALLED COVERAGE (50% TO SUBSTRATE ALLOW TO DRY WITH REMAINING 50% TO BACK OF SHEET, INSTALL WHILE TACKY)
3. SECURE FLASHINGS AND METAL WORK IN ACCORDANCE WITH IB SPECIFICATIONS AND FLASHING SECUREMENT TABLE.
4. SEALANTS AND CAULKING REQUIRE PERIODIC OWNER MAINTENANCE

**APPROVED SUBSTRATE / SEPARATION:**

NEW CONSTRUCTION - FULLY ADHERED, INDUCTION WELDED, AND MECHANICALLY ATTACHED

- 1/2" PLYWOOD, 7/16" OSB, 1/2" APPROVED GYPSUM COVER BOARD, POURED / PRECAST CONCRETE, OR CEMENT BLOCK / MASONRY WALLS

MECHANICALLY ATTACHED RECOVER OVER APPROVED EXISTING WALL AND BASE FLASHINGS

- FULL SEPARATION REQUIRED WITH MINIMUM 1/2" PLYWOOD, 1/4" APPROVED GYPSUM COVER BOARD, 7/16" OSB, OR APPROVED IB SEPARATION SHEET

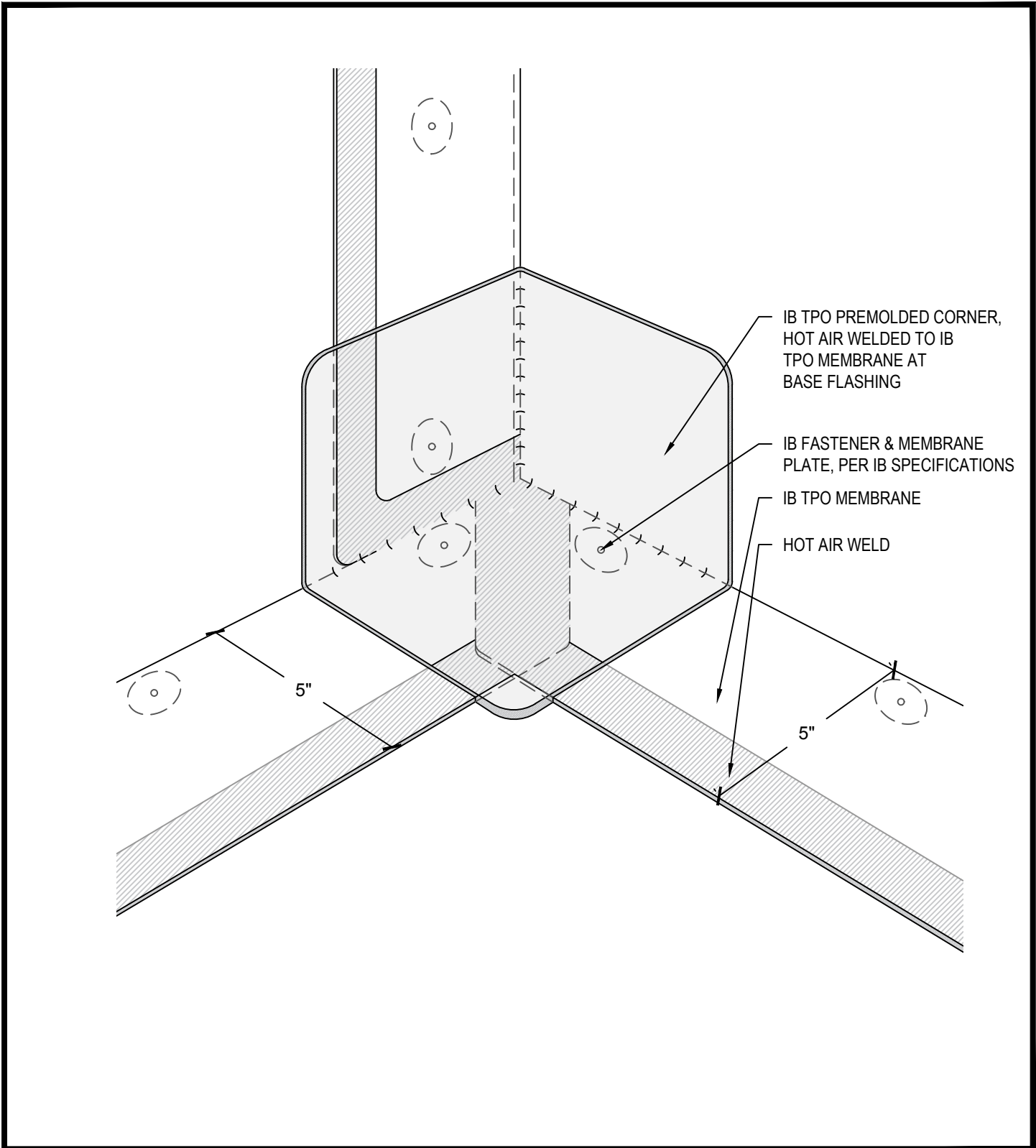
INDUCTION WELDED RECOVER OVER APPROVED EXISTING WALL AND BASE FLASHING

- FULL SEPARATION REQUIRED WITH MINIMUM 1/4" APPROVED GYPSUM COVER BOARD

FULLY ADHERED RECOVER OVER APPROVED EXISTING WALL AND BASE FLASHINGS

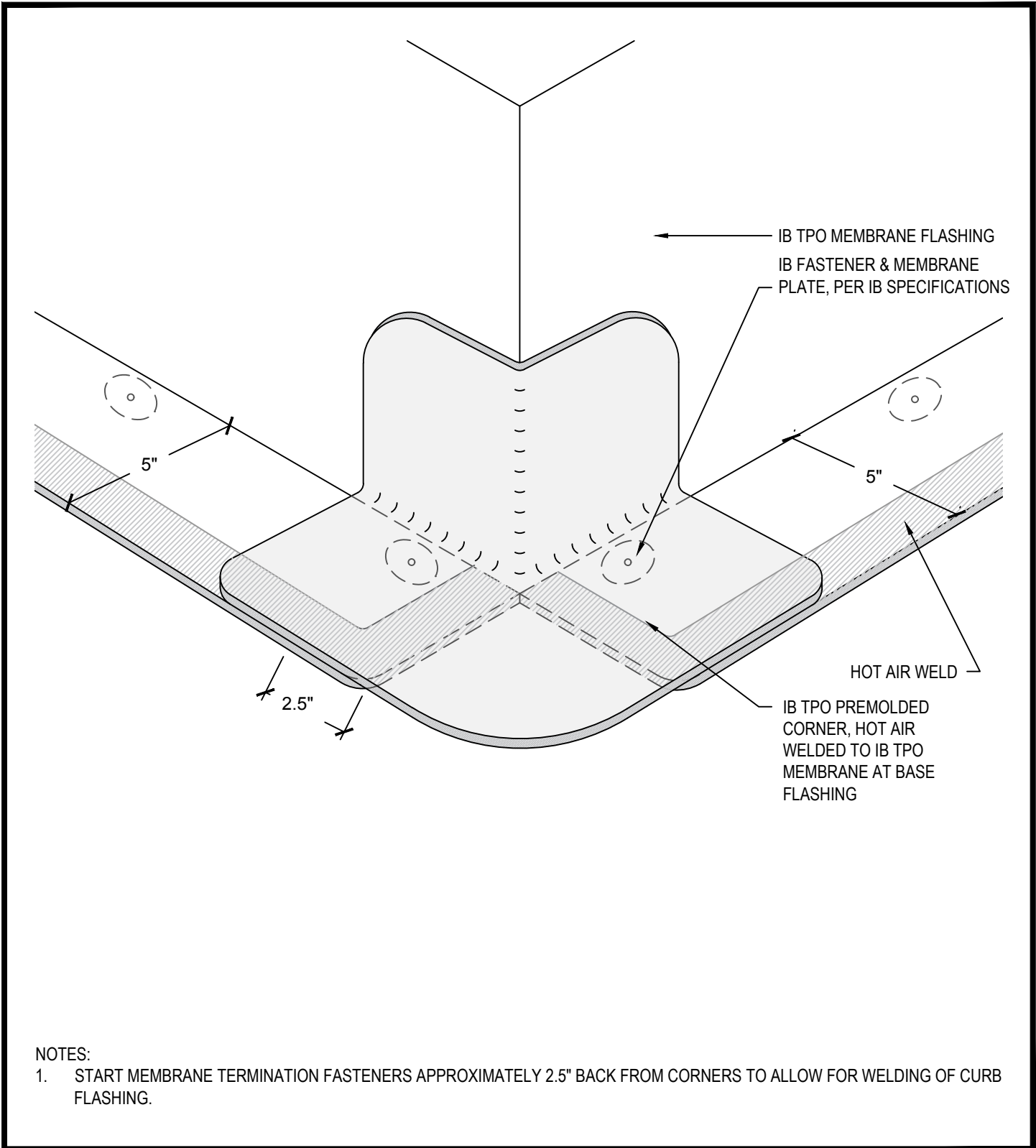
- FULL SEPARATION REQUIRED WITH MINIMUM 1/2" PLYWOOD, 1/4" APPROVED GYPSUM COVER BOARD, OR 7/16" OSB

Scale: NTS	Detail Name: <h2 style="text-align: center;">TPO Roof Hatch Flashing</h2>	Detail Number: <h2 style="text-align: center;">T-BF-06</h2>
Submitted By: Address: Telephone:		Project: Address:



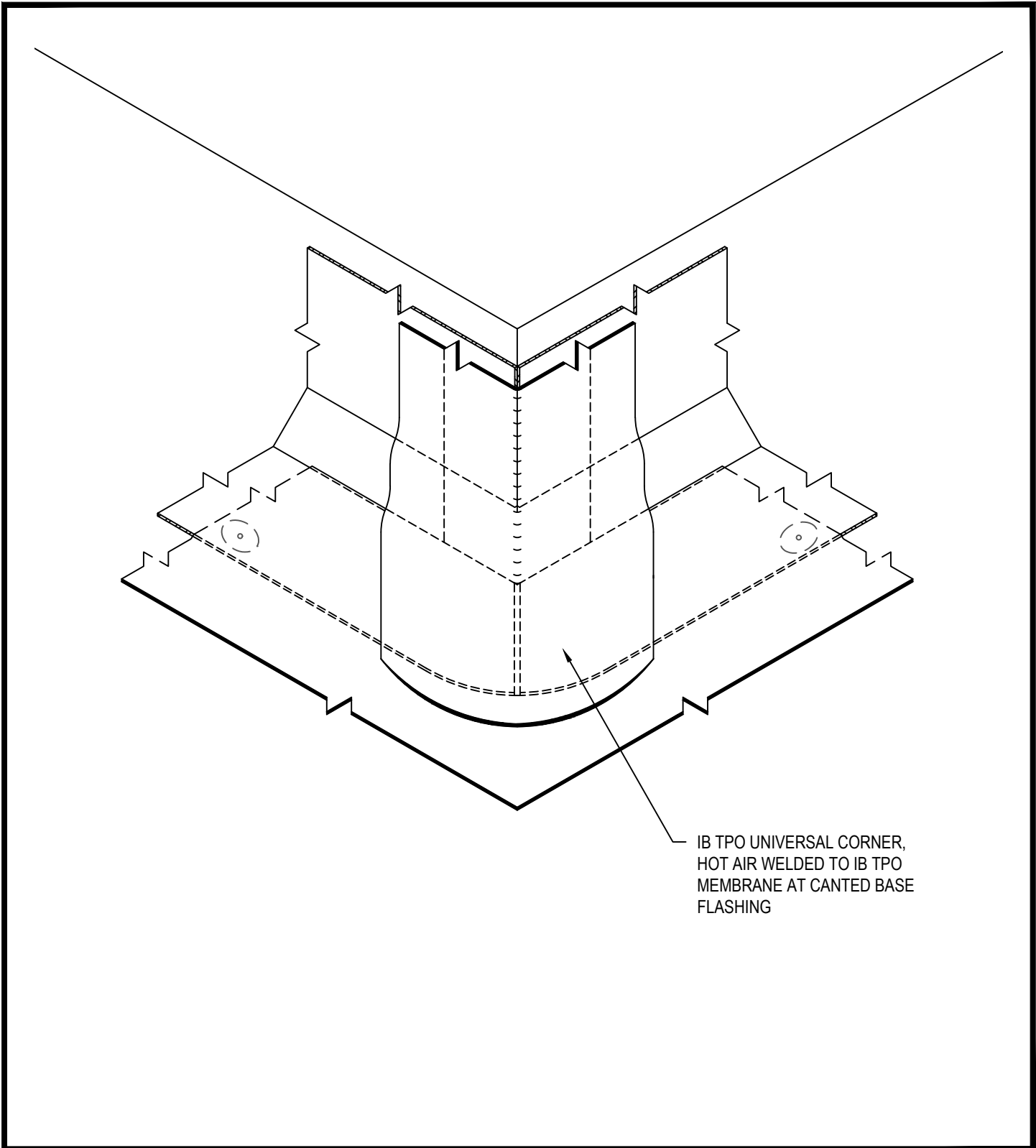
<p>Scale: NTS</p>	<p>Detail Name: <b>TPO Inside Corner</b></p>	<p>Detail Number: <b>T-BF-07</b></p>
-----------------------	--	--

<p>Submitted By: Address: Telephone:</p>	<p>Project: Address:</p>
--	------------------------------



Scale: NTS	Detail Name: <b>TPO Outside Corner</b>	Detail Number: <b>T-BF-08</b>
---------------	---	----------------------------------

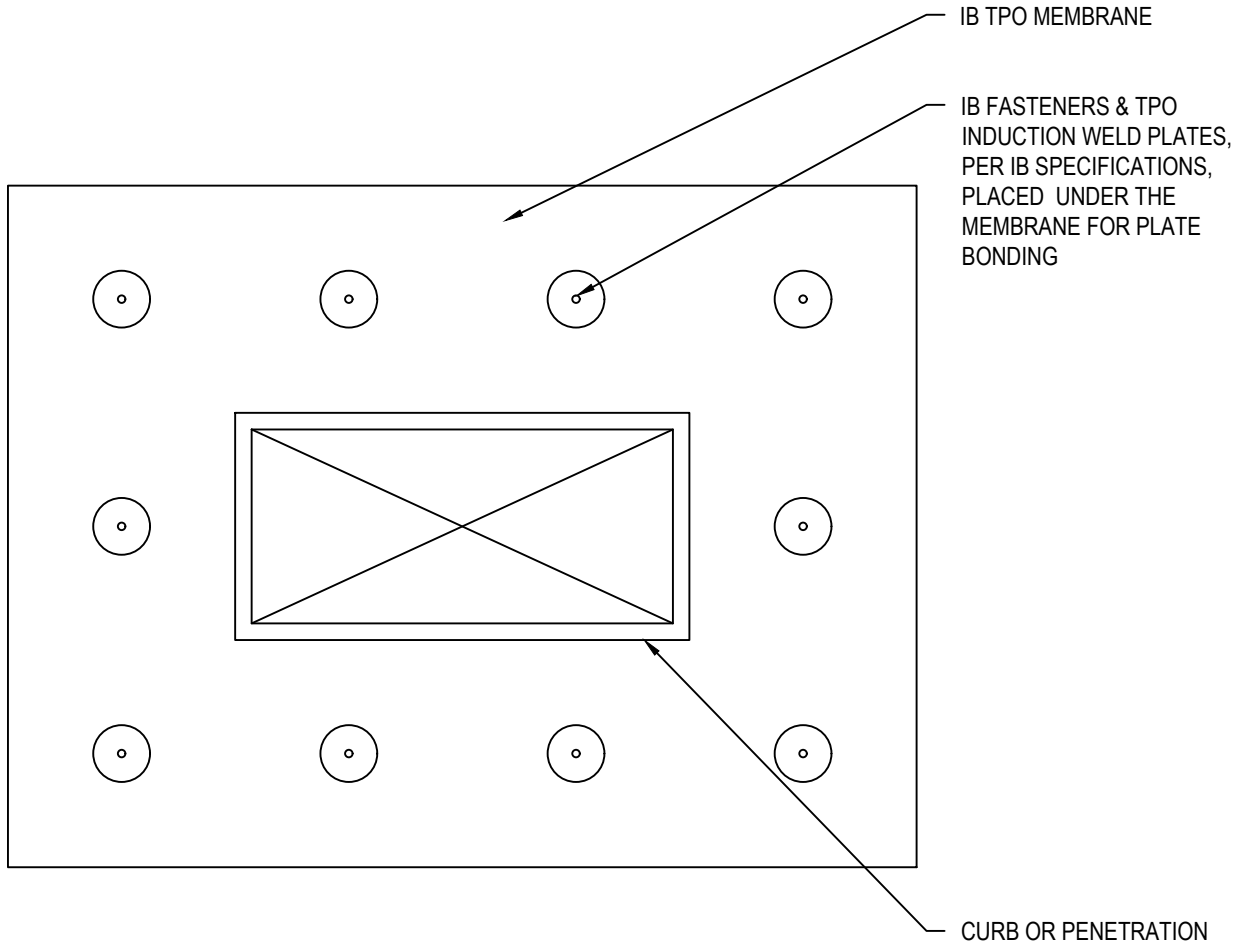
Submitted By: Address: Telephone:	Project: Address:
---	----------------------



IB TPO UNIVERSAL CORNER,  
HOT AIR WELDED TO IB TPO  
MEMBRANE AT CANTED BASE  
FLASHING

<p>Scale: NTS</p>	<p>Detail Name: <b>TPO Canted Outside Corner</b></p>	<p>Detail Number: <b>T-BF-09</b></p>
-----------------------	--	--

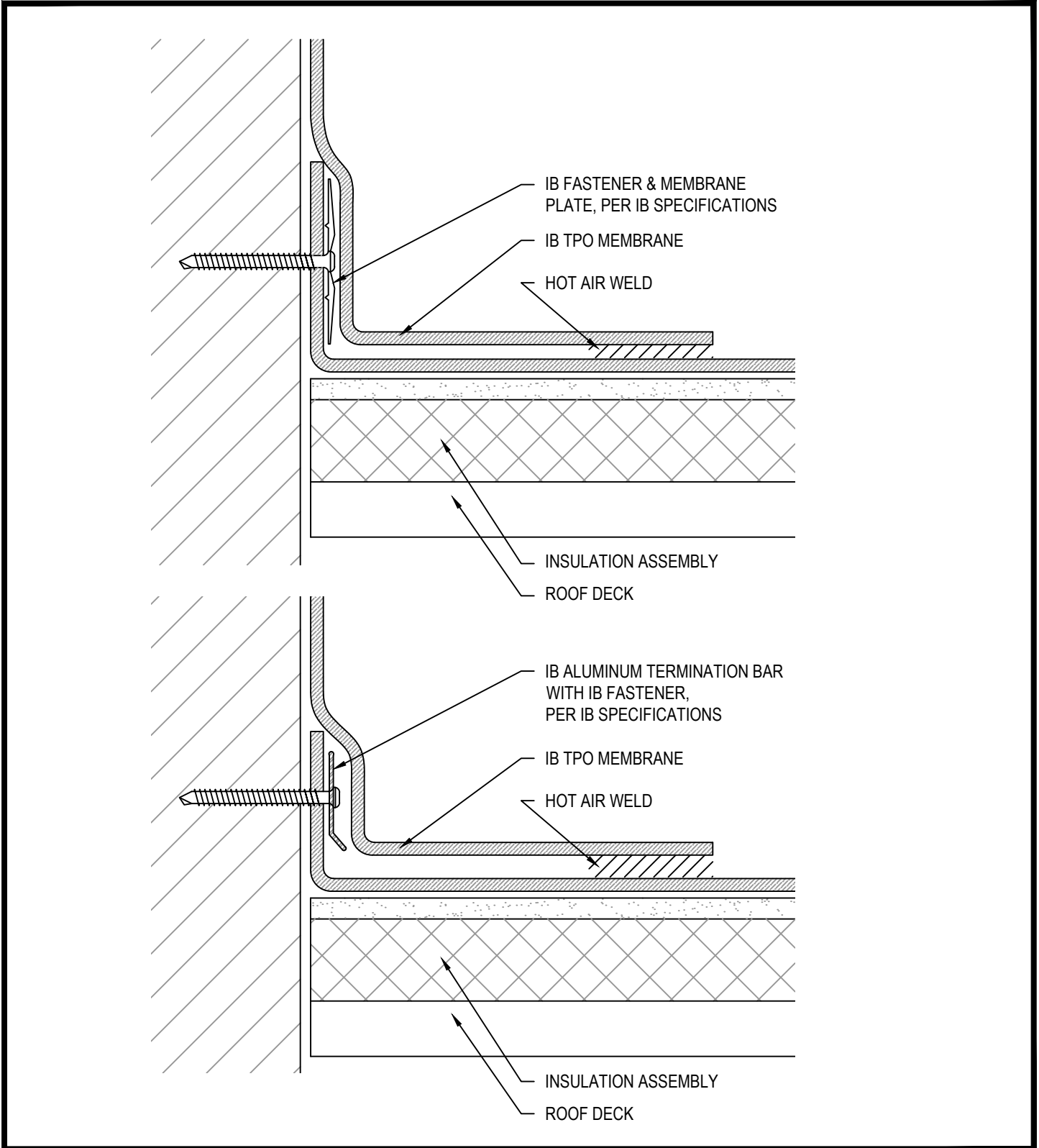
<p>Submitted By: Address: Telephone:</p>	<p>Project: Address:</p>
--	------------------------------



**NOTES:**

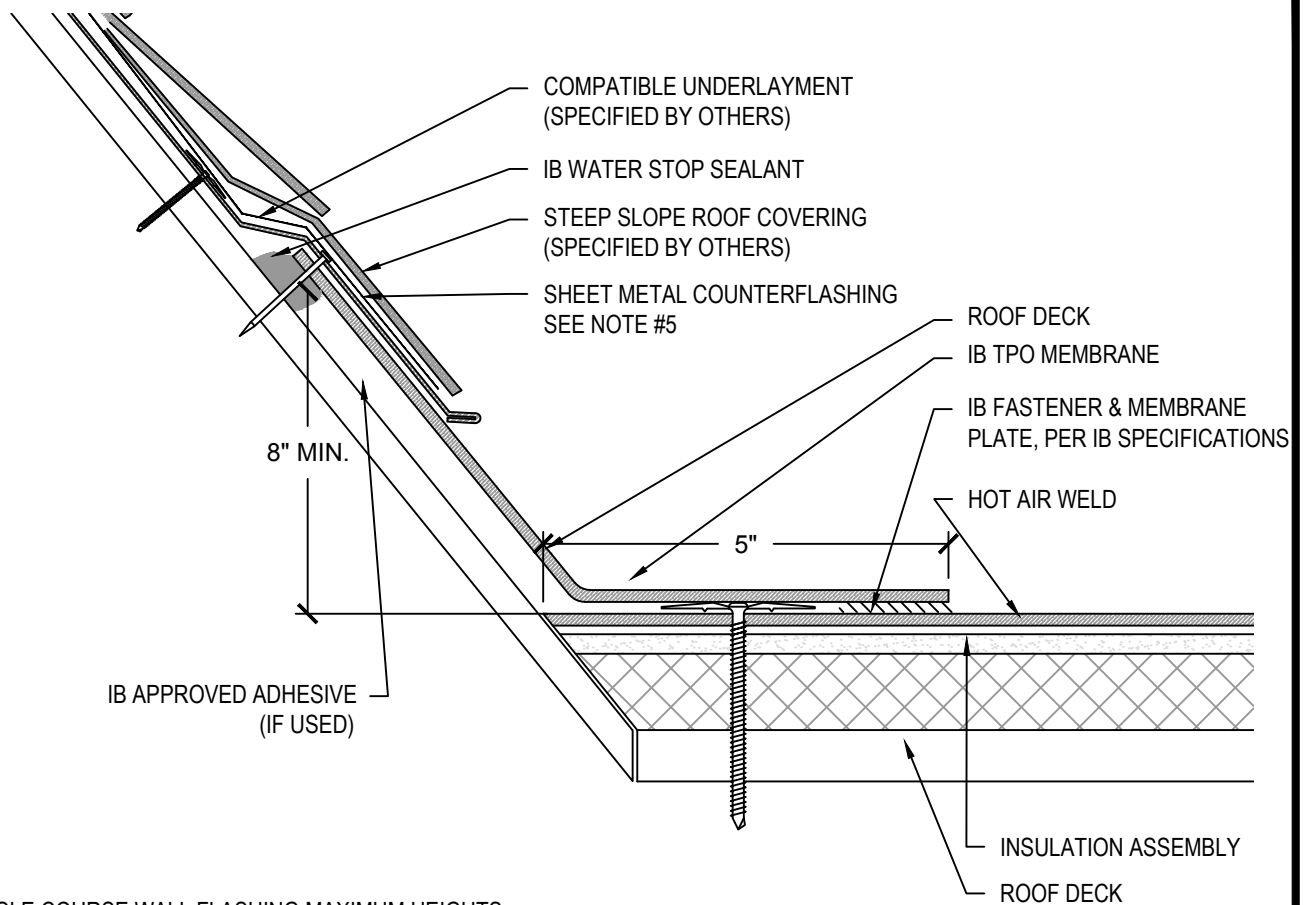
1. BASE ATTACHMENT 12' O.C. AT CURB WITH IB APPROVED TPO INDUCTION WELD FASTENERS AND PLATES
2. DETAIL CAN BE USED AS AN ALTERNATIVE TO STANDARD IB CURB OR PENETRATION DETAIL

<b>Scale:</b> NTS	<b>Detail Name:</b> <b>TPO Membrane Induction Weld Termination At Curbs</b>	<b>Detail Number:</b> <b>T-BF-10</b>
<b>Submitted By:</b> Address: Telephone:	<b>Project:</b> Address:	



Scale: NTS	Detail Name: <b>Alternate TPO Membrane Termination at Curbs</b>	Detail Number: <b>T-BF-11</b>
---------------	--	----------------------------------

Submitted By: Address: Telephone:	Project: Address:
---	----------------------



**NOTES:**

1. SINGLE COURSE WALL FLASHING MAXIMUM HEIGHTS:
  - A. 18" FOR MECHANICALLY ATTACHED FLASHINGS OR 60" FOR FULLY ADHERED FLASHINGS
  - B. FOR WALLS EXCEEDING MAXIMUM HEIGHTS, REFER TO MECHANICALLY ATTACHED OR ADHERED TALL WALL DETAILS.
2. ADHERED WALLS: INSTALL MEMBRANE IN IB TPO BONDING ADHESIVE PER APPROVED APPLICATION RATE. INSTALLED COVERAGE (50% TO SUBSTRATE ALLOW TO DRY WITH REMAINING 50% TO BACK OF SHEET, INSTALL WHILE TACKY)
3. SECURE FLASHINGS AND METAL WORK IN ACCORDANCE WITH IB SPECIFICATIONS AND FLASHING SECUREMENT TABLE.
4. SEALANTS AND CAULKING REQUIRE PERIODIC OWNER MAINTENANCE
5. A SHEET METAL SEPARATION FLASHING IS RECOMMENDED WHEN USING ASPHALTIC, BUTYL BASED OR OTHER NON-COMPATIBLE UNDERLAYMENTS OR ROOF COVERING MATERIALS. ITS USE IS REQUIRED ON IB TOTAL ROOF SYSTEM WARRANTY.

**APPROVED SUBSTRATE / SEPARATION:**

NEW CONSTRUCTION - FULLY ADHERED, INDUCTION WELDED, AND MECHANICALLY ATTACHED

- 1/2" PLYWOOD, 7/16" OSB, 1/2" APPROVED GYPSUM COVER BOARD, POURED / PRECAST CONCRETE, OR CEMENT BLOCK / MASONRY WALLS

INDUCTION WELDED RECOVER OVER APPROVED EXISTING WALL AND BASE FLASHINGS

- FULL SEPARATION REQUIRED WITH MINIMUM 1/4" APPROVED GYPSUM COVER BOARD

MECHANICALLY ATTACHED RECOVER OVER APPROVED EXISTING WALL AND BASE FLASHINGS

- FULL SEPARATION REQUIRED WITH MINIMUM 1/2" PLYWOOD, 1/4" APPROVED GYPSUM COVER BOARD, 7/16" OSB, OR APPROVED IB SEPARATION SHEET

FULLY ADHERED RECOVER OVER APPROVED EXISTING WALL AND BASE FLASHINGS

- FULL SEPARATION REQUIRED WITH MINIMUM 1/2" PLYWOOD, 1/4" APPROVED GYPSUM COVER BOARD, OR 7/16" OSB

Scale: NTS	Detail Name: <b>TPO Flashing to Steep Slope Roof Tie-In</b>	Detail Number: <b>T-BF-12</b>
Submitted By: Address: Telephone:		Project: Address: