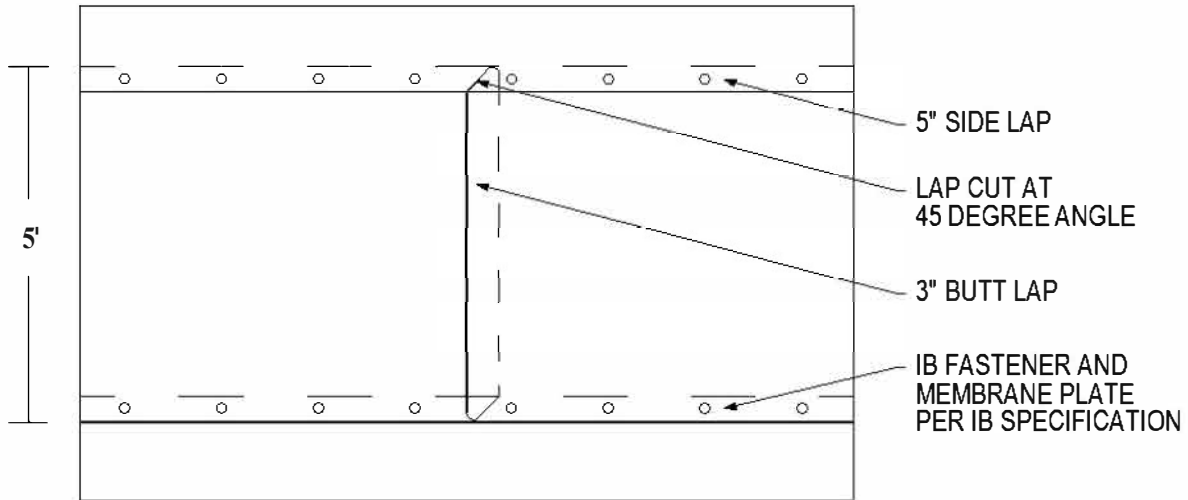
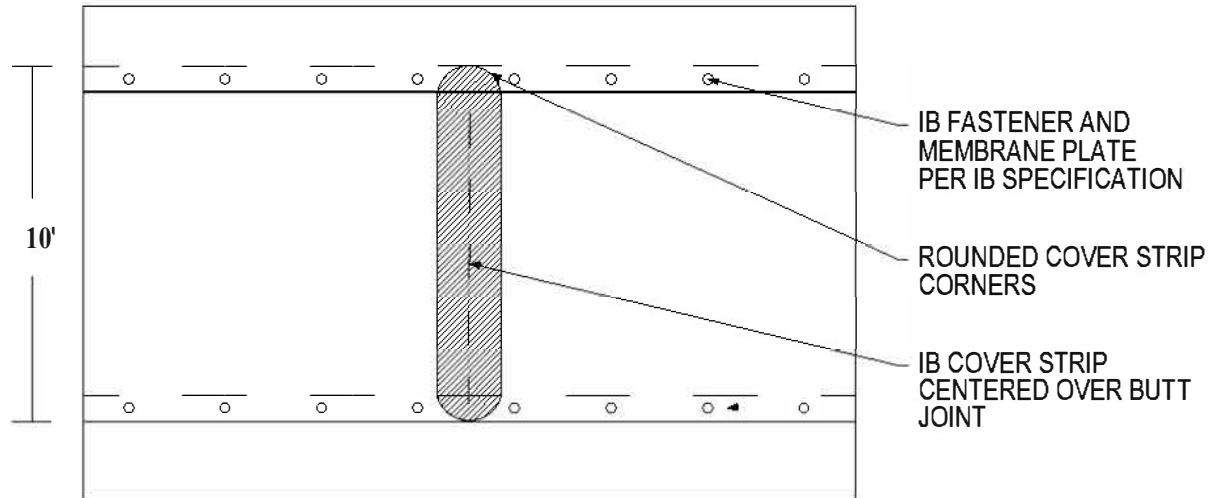


**IB MEMBRANE END LAPS**



**IB FLEECKBACK MEMBRANE END LAPS**



**NOTE:**

1. REFER TO IB TPO T-JOINT PATCH DETAIL

<b>Scale:</b> NTS	<b>Detail Name:</b> <i>TPO Membrane End Laps for Mechanically Attached Membrane</i>	<b>Detail Number:</b> MA-T-12
<b>Submitted By:</b> Address: Telephone:		<b>Project:</b> Address: