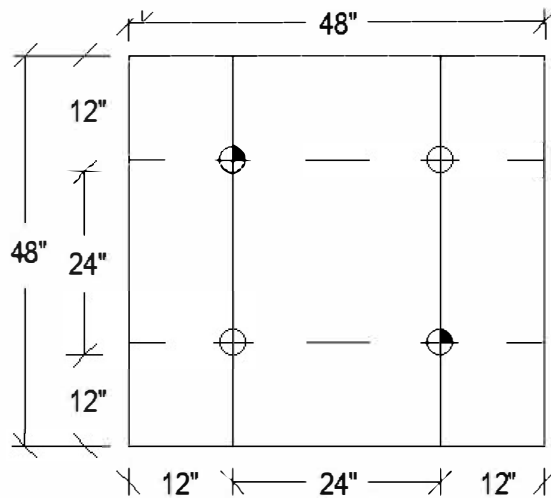


APPROVED RIGID INSULATION EPS, XPS, POLYISOCYANURATE INSULATION & COVER BOARD  
( IB FASTENER & 3" INSULATION PLATES, 6 PER 4' X 8' BOARD )



APPROVED RIGID INSULATION EPS, XPS, POLYISOCYANURATE INSULATION & COVER BOARD  
( IB FASTENER & 3" INSULATION PLATES, 4 PER 4' X 8' BOARD )

**NOTES:**

1. FASTENING PATTERNS ARE PROVIDED AS GENERAL GUIDELINES FOR FASTENER PLACEMENT FOR MECHANICALLY ATTACHED INSULATION AND COVER BOARD.
2. REQUIRES MINIMUM 1.5 LB/FT<sup>3</sup> DENSITY AND MINIMUM .25" LAYER OF GYPSUM OR HD POLYISOCYANURATE COVER BOARD OR MINIMUM 1.0" LAYER OF IB POLYISOCYANURATE BOARD ABOVE EPS/XPS INSULATION.

<b>Scale:</b> NTS	<b>Detail Name:</b> <i>Fastening Patterns for Insulation - Cover Board</i>	<b>Detail Number:</b> MA-T-02
<b>Submitted By:</b> Address: Telephone:		<b>Project:</b> Address: