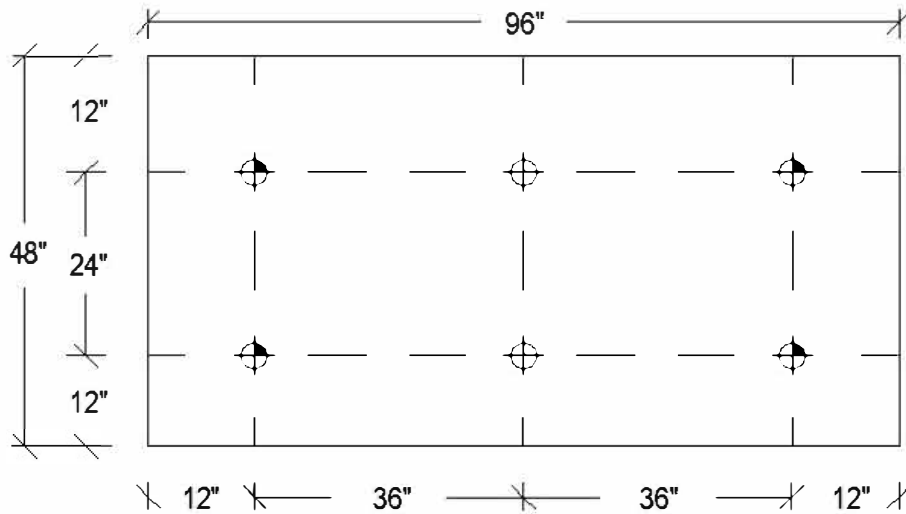


**MINIMUM FASTENER PENETRATIONS AT THE DECK
(STANDARD ATTACHMENT):**

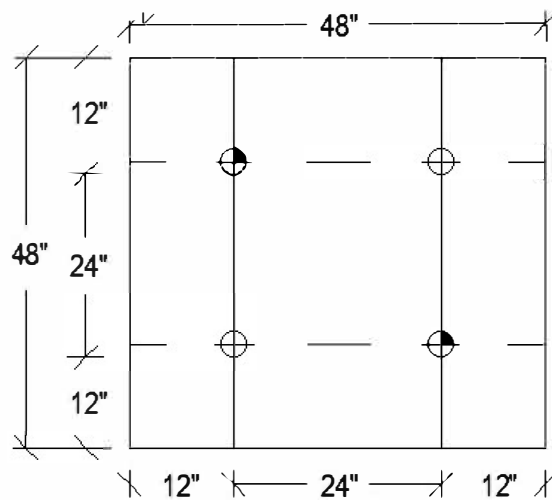
Deck Type:	Penetration Depth:	Fastener Type:
Plywood or Oriented Strand Board:	1/2" completely through deck	IB HD #14 or IB SD #12
1" Minimum Wood Plank:	1" into deck	IB HD #14 or IB SD #12
Steel:	3/4" completely through top flute	IB XHD #15 or IB HD #14, IB SD #12
Light Weight Insulating Concrete over Steel Deck:	3/4" completely through top flute	IB XHD #15 or IB HD #14
Light Weight Insulating Concrete:	1-1/2" into deck	Deklite or GypTec
Structural Concrete:	1-1/4" into deck	CD -10 or Dekspike
Poured Gypsum:	1-1/2" into deck	Deklite or GypTec
Cementitious Wood Fiber:	1-1/2" into deck	Deklite or GypTec

IB Standard Pull-Test Values for Fasteners	
7/16" OSB	275 lbs
5/8" OSB	350 lbs
1/2" Plywood	425 lbs
1" Minimum Wood Plank	450 lbs
22 ga. Steel	525 lbs
24 ga. Steel	425 lbs
Structural Concrete	800 lbs
LWIC over 24 ga. Steel	425 lbs
Poured Gypsum	300 lbs
Cementitious Wood Fiber	300 lbs
16 ga Purlin	700 lbs

Scale: NTS	Detail Name: <i>In-seam Attachment for Mechanically Attached Membrane</i>	Detail Number: <i>MA-T-01</i>
Submitted By: Address: Telephone:		Project: Address:



APPROVED RIGID INSULATION EPS, XPS, POLYISOCYANURATE INSULATION & COVER BOARD
(IB FASTENER & 3" INSULATION PLATES, 6 PER 4' X 8' BOARD)

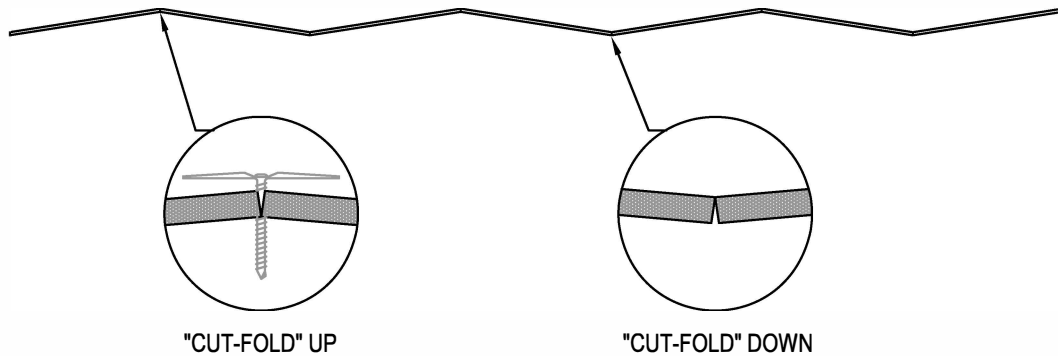
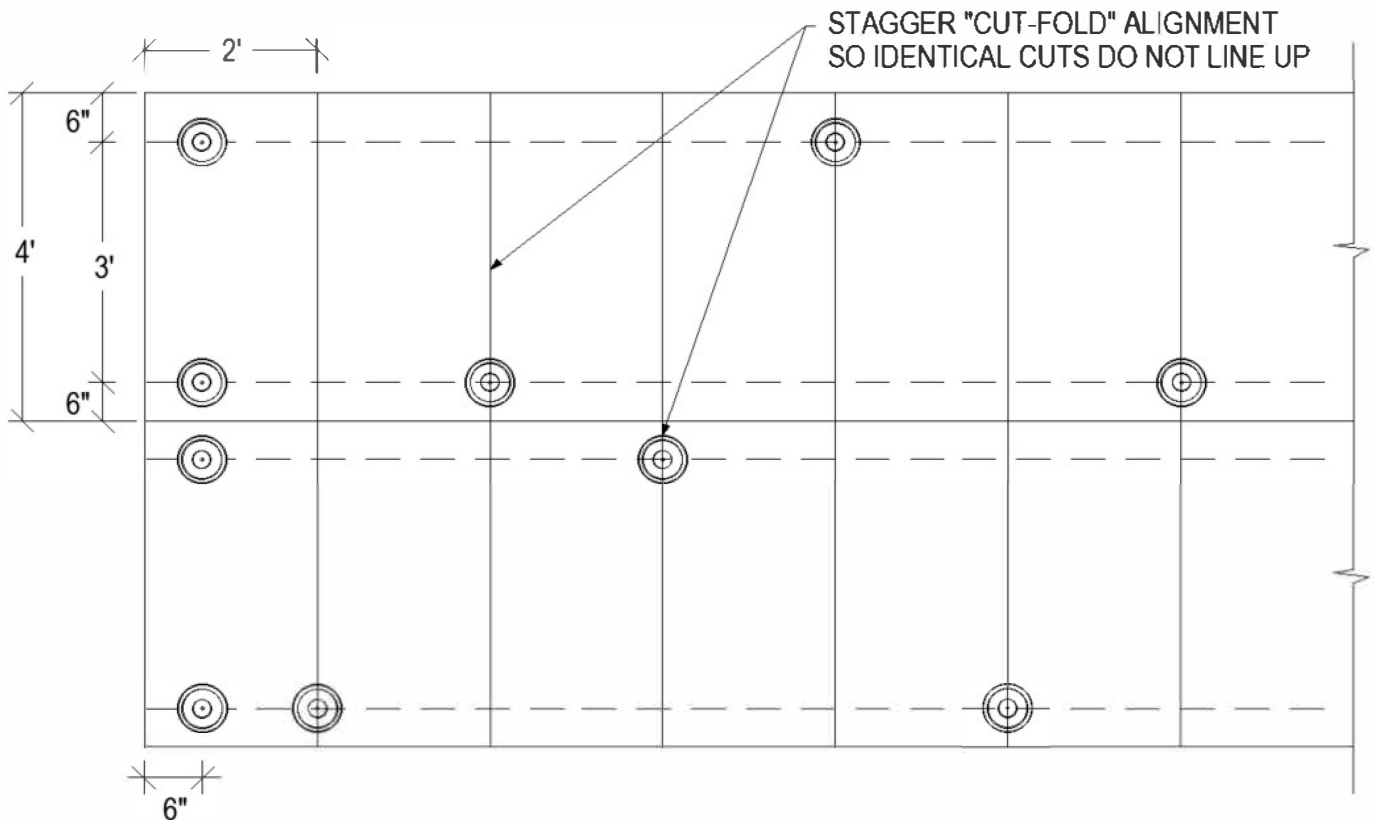


APPROVED RIGID INSULATION EPS, XPS, POLYISOCYANURATE INSULATION & COVER BOARD
(IB FASTENER & 3" INSULATION PLATES, 4 PER 4' X 8' BOARD)

NOTES:

1. FASTENING PATTERNS ARE PROVIDED AS GENERAL GUIDELINES FOR FASTENER PLACEMENT FOR MECHANICALLY ATTACHED INSULATION AND COVER BOARD.
2. REQUIRES MINIMUM 1.5 LB/FT³ DENSITY AND MINIMUM .25" LAYER OF GYPSUM OR HD POLYISOCYANURATE COVER BOARD OR MINIMUM 1.0" LAYER OF IB POLYISOCYANURATE BOARD ABOVE EPS/XPS INSULATION.

Scale: NTS	Detail Name: <i>Fastening Patterns for Insulation - Cover Board</i>	Detail Number: MA-T-02
Submitted By: Address: Telephone:		Project: Address:



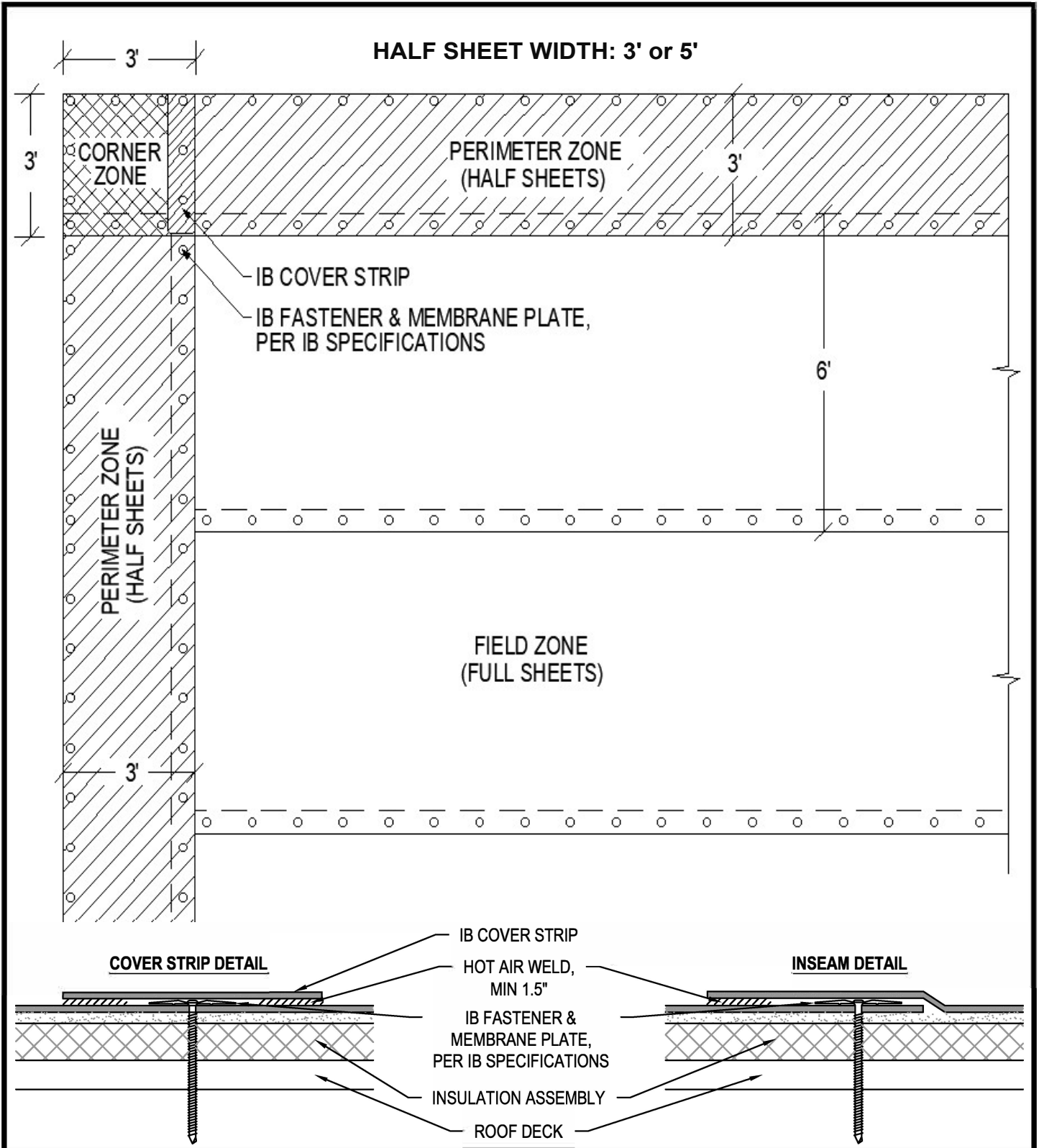
APPROVED EPS FAN-FOLD INSULATION
 (IB FASTENERS & 3" INSULATION PLATES: 1 PER 12 SQ FT)

NOTES:

1. AN IB SEPARATION SHEET IS REQUIRED FOR EPS FAN-FOLD INSULATIONS NOT APPROVED OR SUPPLIED BY IB ROOF SYSTEMS.

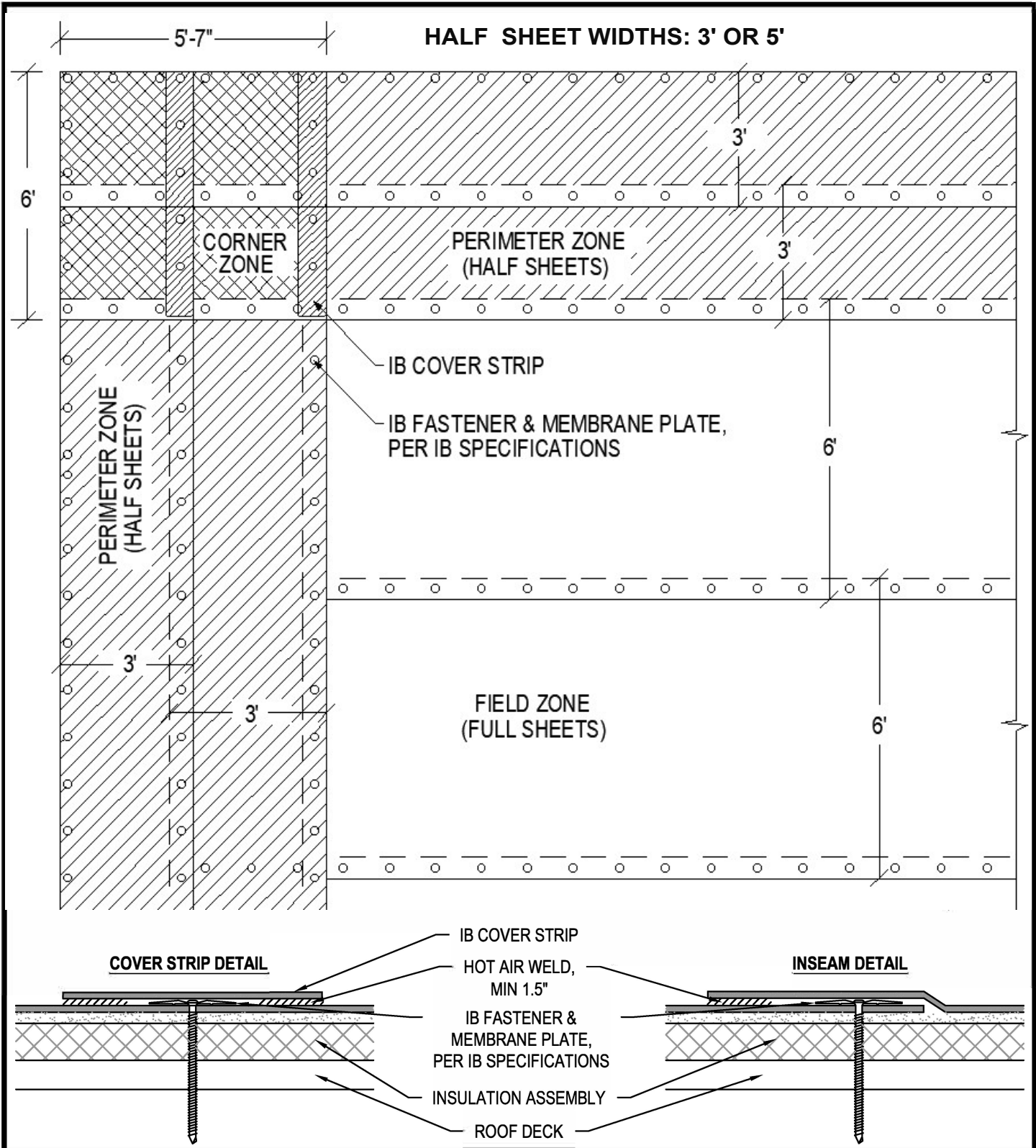
Scale: NTS	Detail Name: Fastening Pattern for EPS Fan-Fold	Detail Number: MA-T-03
----------------------	--	---

Submitted By: Address: Telephone:	Project: Address:
--	-----------------------------



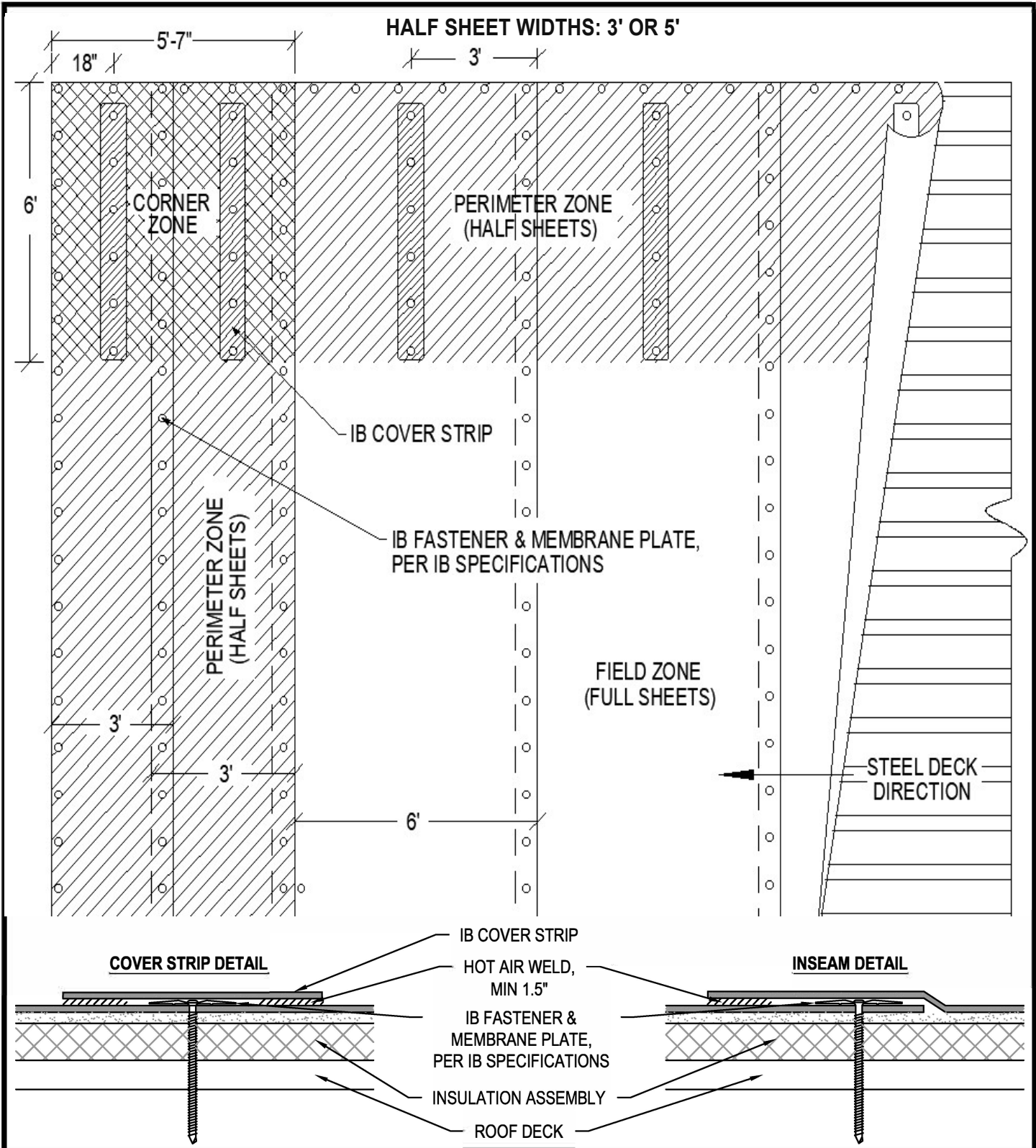
Scale: NTS	Detail Name: <h2 style="text-align: center;">One Perimeter Half Sheet Layout</h2>	Detail Number: MA-T-04
----------------------	---	---

Submitted By: Address: Telephone:	Project: Address:
--	-----------------------------



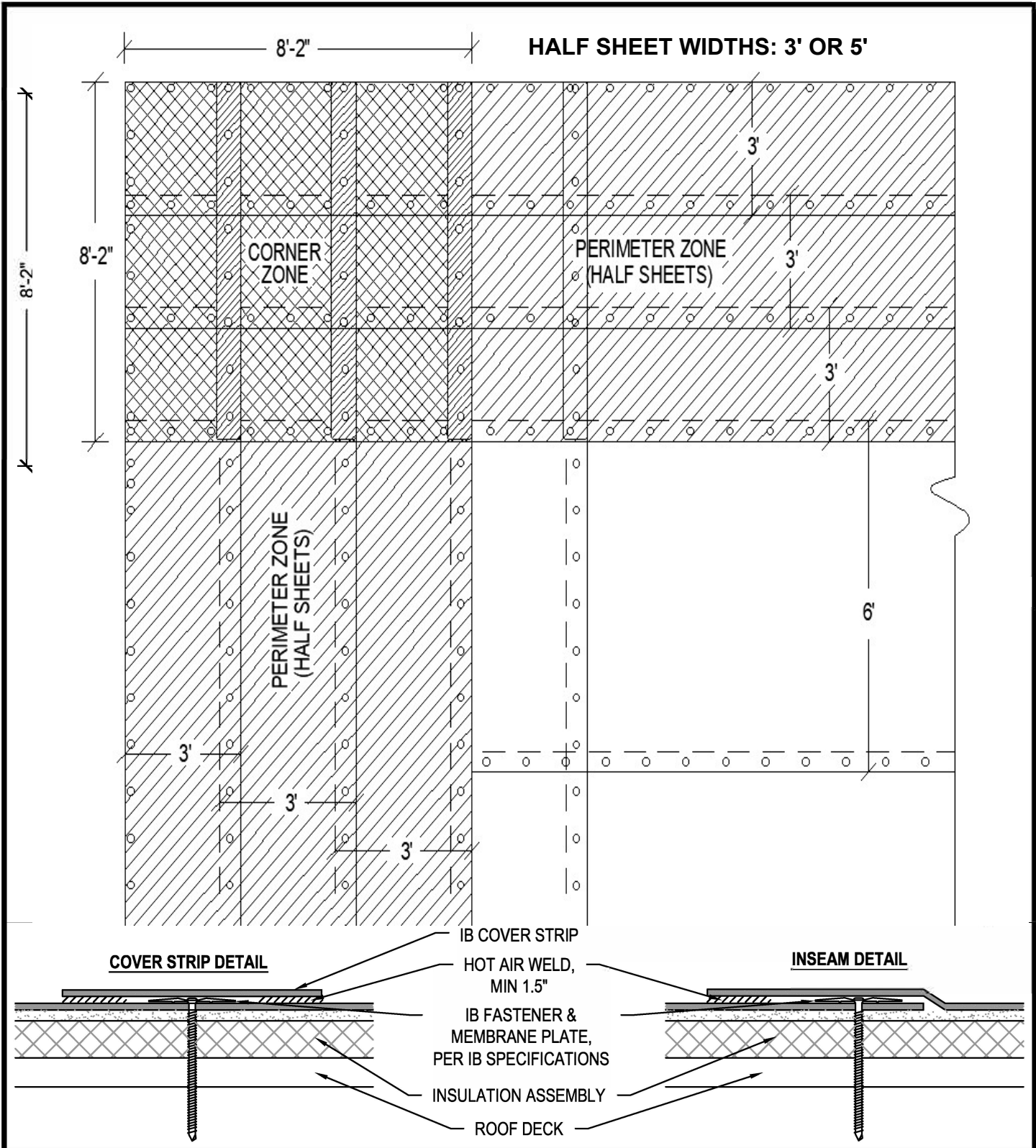
Scale: NTS	Detail Name: Two Perimeter Half Sheet Layout	Detail Number: MA-T-05
---------------	--	----------------------------------

Submitted By: Address: Telephone:	Project: Address:
---	----------------------



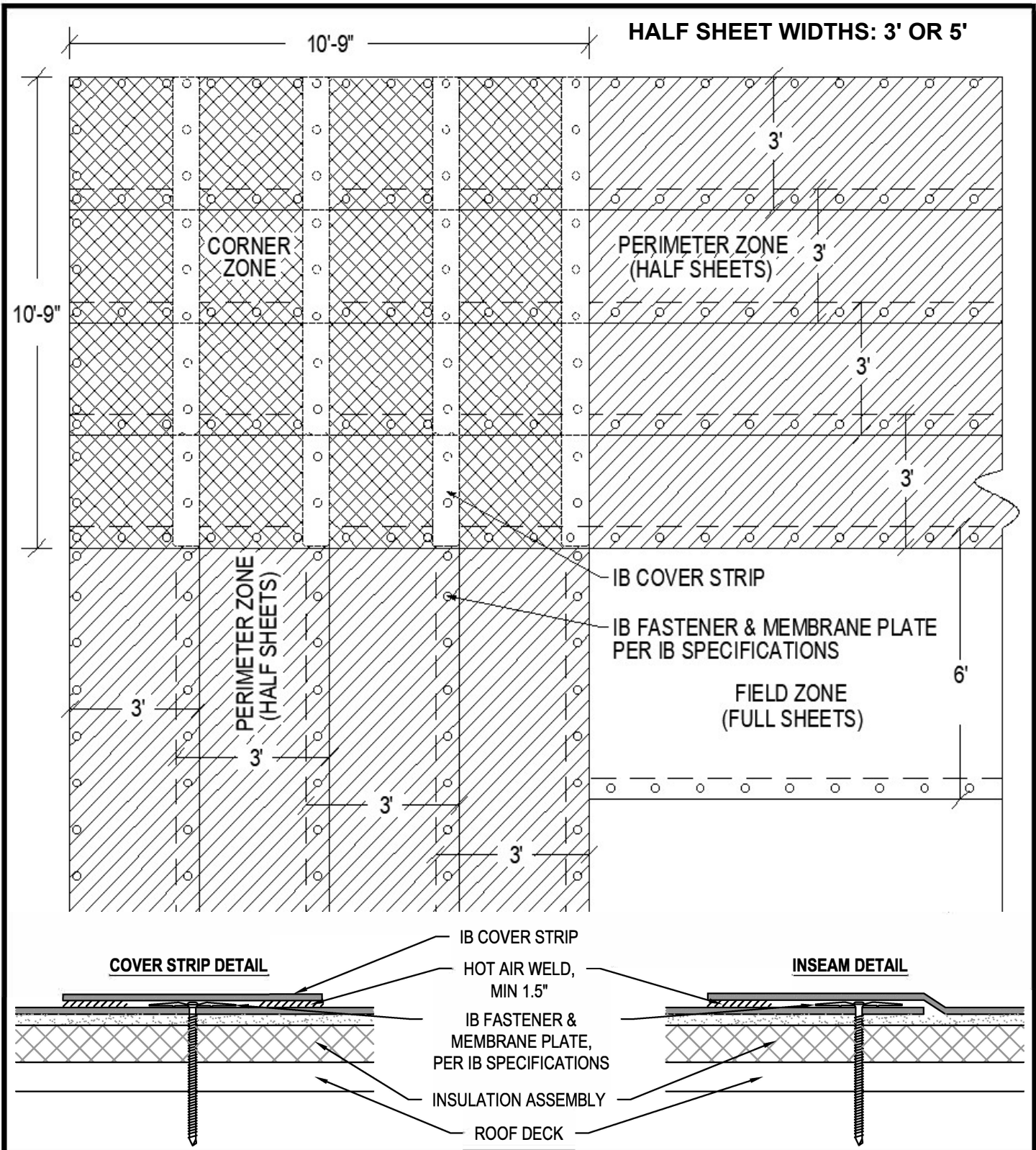
Scale: NTS	Detail Name: FM Sheet Layout - Steel Deck	Detail Number: MA-T-6
---------------	---	---------------------------------

Submitted By: Address: Telephone:	Project: Address:
---	----------------------



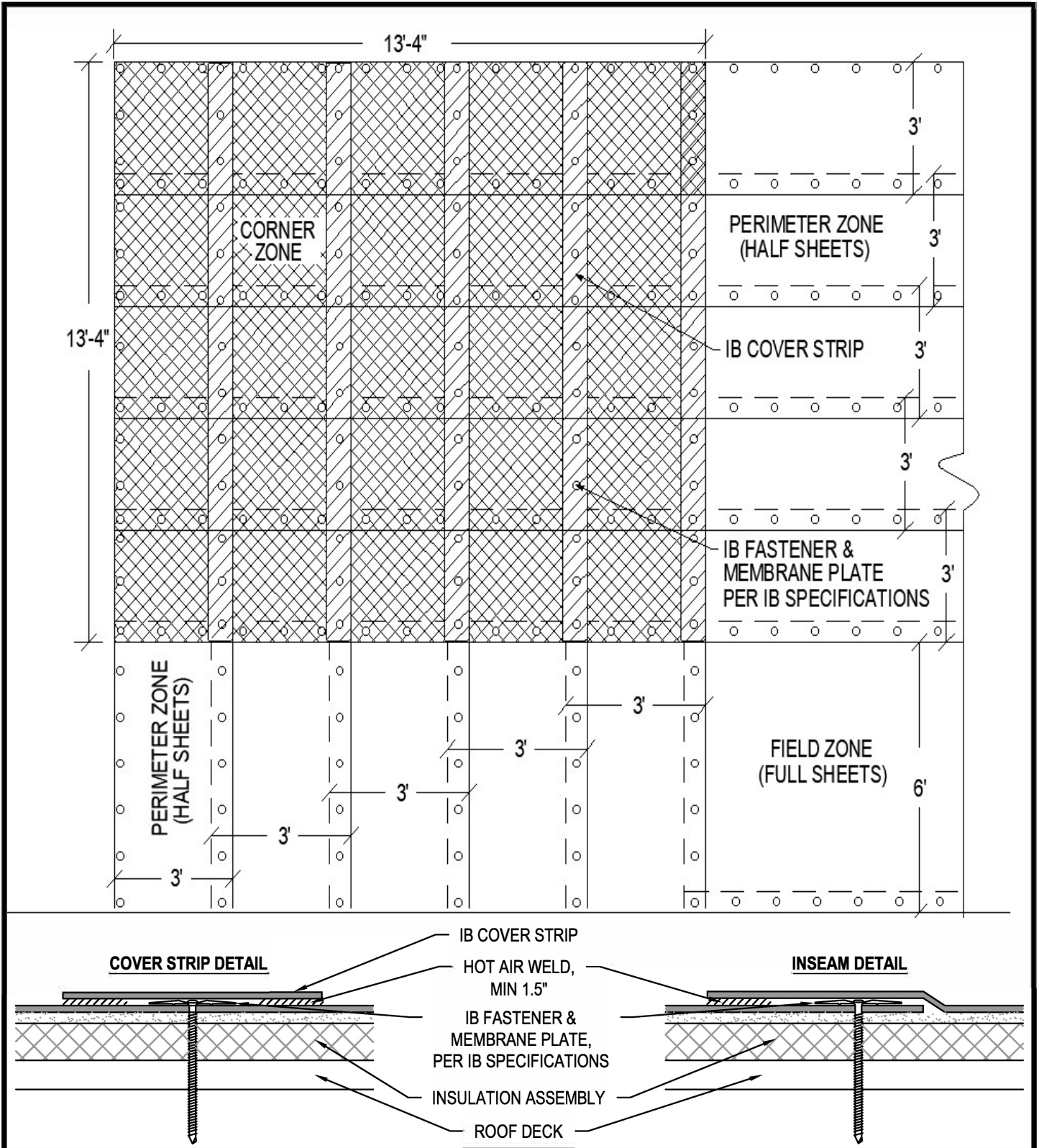
Scale: NTS	Detail Name: Three Perimeter Half Sheet Layout	Detail Number: MA-T-7
---------------	--	---------------------------------

Submitted By: Address: Telephone:	Project: Address:
---	----------------------



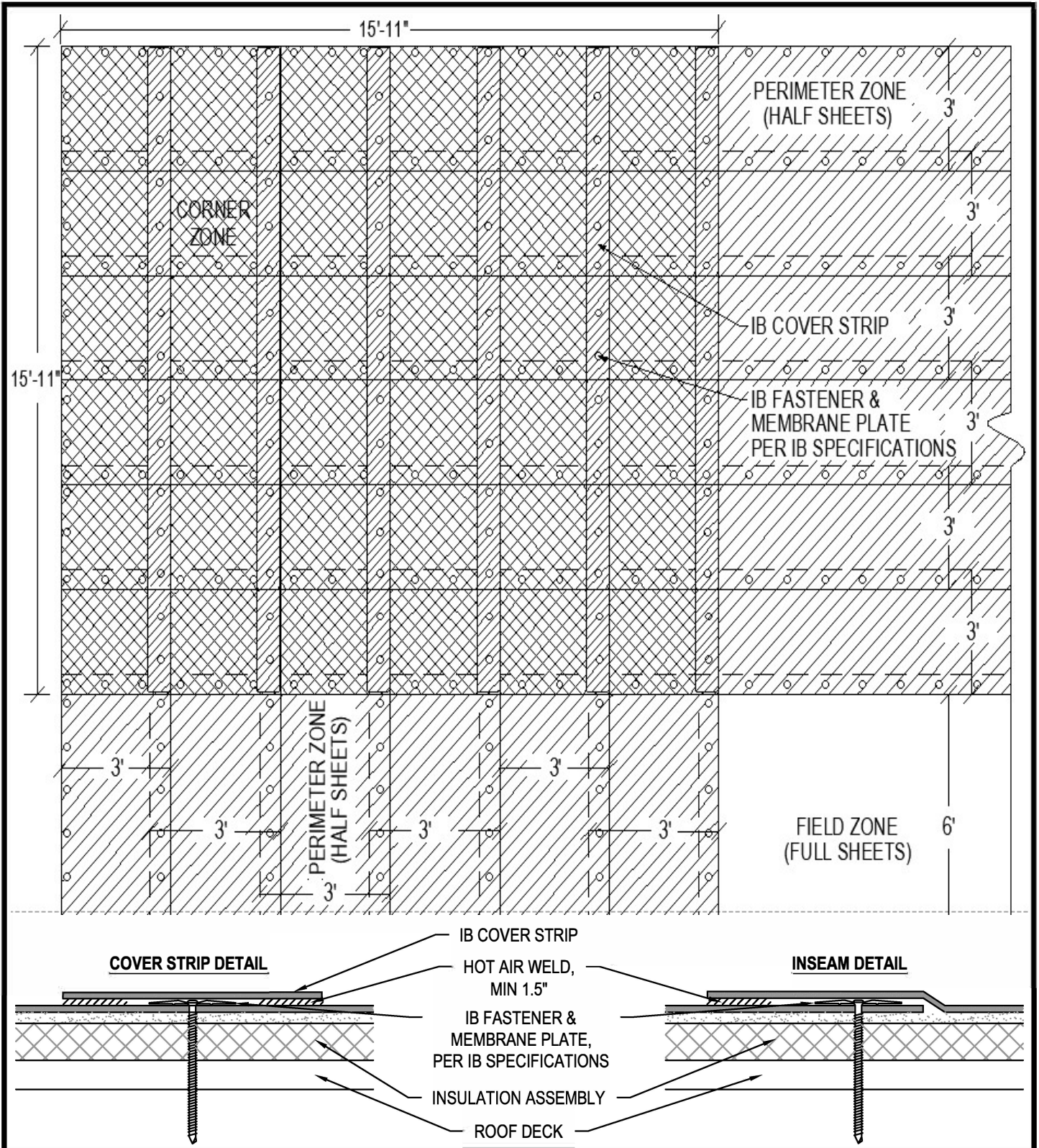
Scale: NTS	Detail Name: Four Perimeter Half Sheet Layout	Detail Number: MA-T-08
----------------------	--	---

Submitted By: Address: Telephone:	Project: Address:
--	-----------------------------



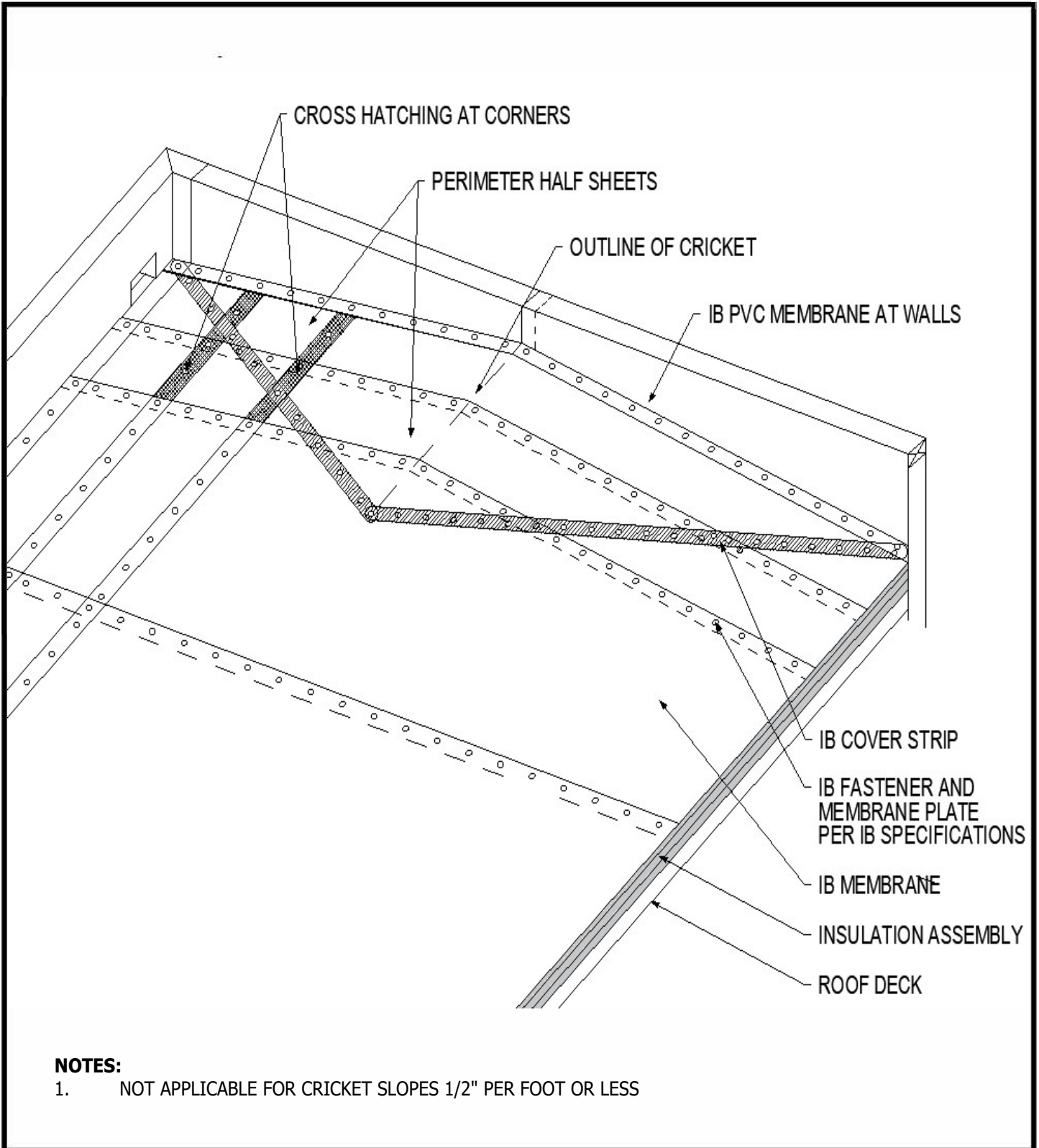
Scale: NTS	Detail Name: Five Perimeter Half Sheet Layout	Detail Number: MA-T-09
---------------	---	----------------------------------

Submitted By: Address: Telephone:	Project: Address:
---	----------------------



Scale: NTS	Detail Name: Six Perimeter Half Sheet Layout	Detail Number: MA-T-10
---------------	--	----------------------------------

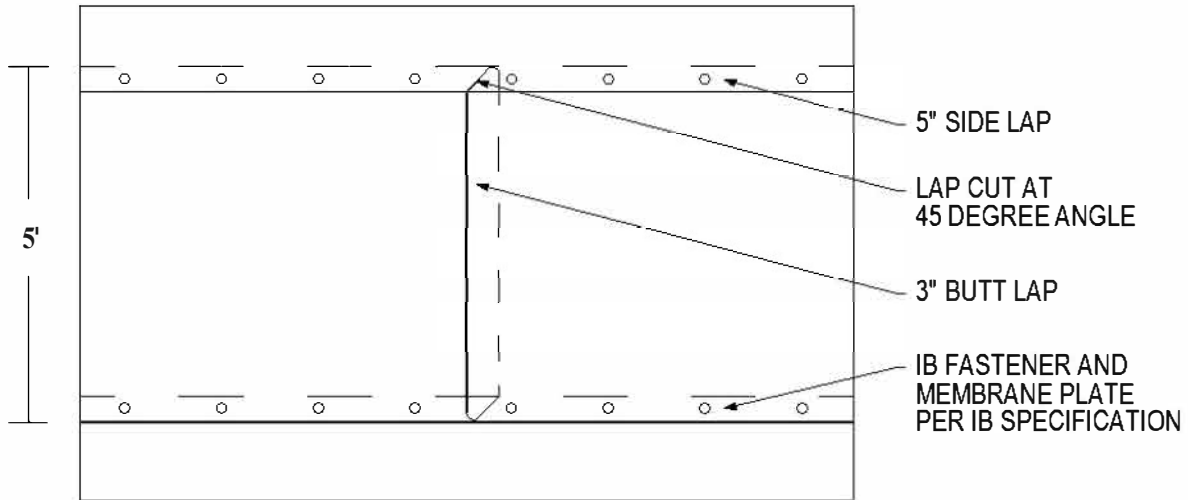
Submitted By: Address: Telephone:	Project: Address:
---	----------------------



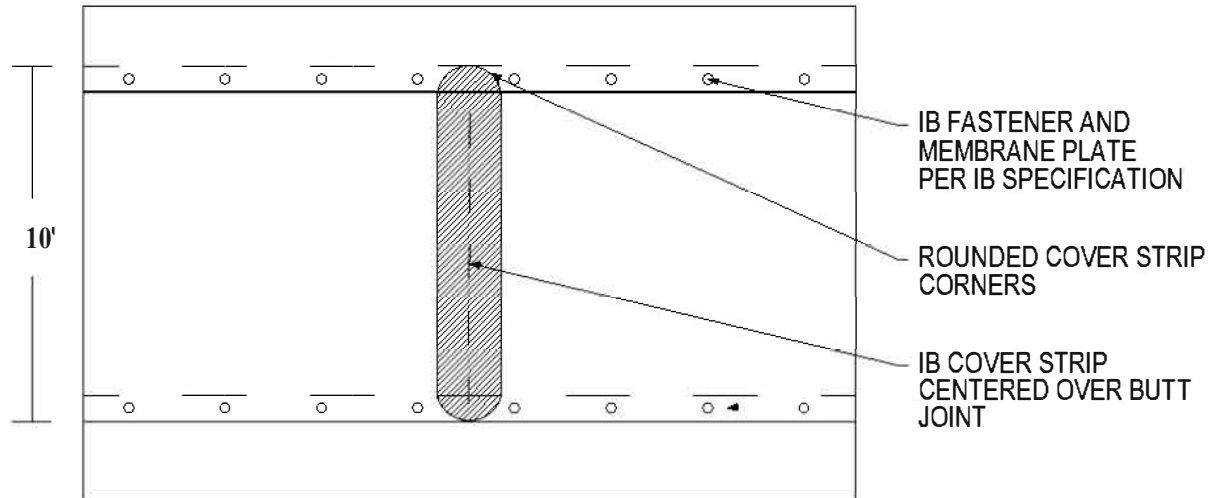
Scale: NTS	Detail Name: <i>TPO Membrane Cricket Layout</i>	Detail Number: MA-T-11
---------------	--	----------------------------------

Submitted By: Address: Telephone:	Project: Address:
---	----------------------

IB MEMBRANE END LAPS



IB FLEECBACK MEMBRANE END LAPS



NOTE:

1. REFER TO IB TPO T-JOINT PATCH DETAIL

Scale: NTS	Detail Name: <i>TPO Membrane End Laps for Mechanically Attached Membrane</i>	Detail Number: MA-T-12
Submitted By: Address: Telephone:		Project: Address: