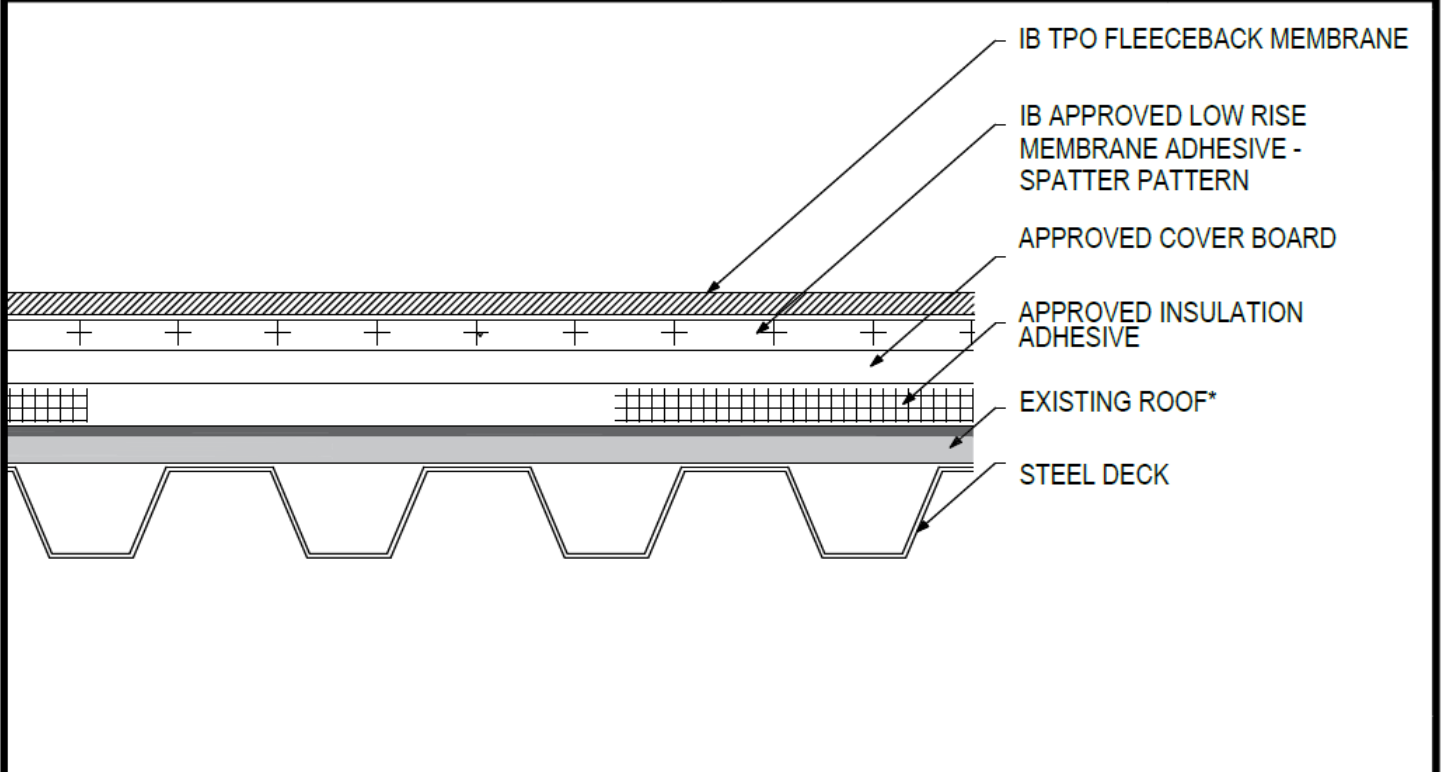


**Adhered TPO Membrane (SP) - Cover Board (RB) - Existing Roof - Steel Deck (Recover)**



| Deck Type                         | Cover Board (over Existing Roof) <sup>1</sup> |                                  | IB TPO Fleeceback Membrane Securement** |
|-----------------------------------|---|----------------------------------|---|
|                                   | Type <sup>2,3</sup>                           | Insulation Adhesive <sup>4</sup> | Attachment <sup>5</sup>                 |
| Min. 22 ga. Type B Grade 33 Steel | Approved Cover Board                          | Approved Insulation Adhesive     | IB Approved Low Rise Membrane Adhesive  |
| Min. 22 ga. Type B Grade 80 Steel | Approved Cover Board                          | Approved Insulation Adhesive     | IB Approved Low Rise Membrane Adhesive  |

<sup>1</sup>Existing Roof: APP or SBS modified bitumen, smooth or granule surfaced asphaltic built-up roof.  
<sup>2</sup>Approved Cover Board: DensDeck Prime, DensDeck StormX Prime, Securock Ultralight Coated Glass-Mat, Securock Gypsum Fiber Board, or DEXcell FA Glass Mat Roof Board, minimum 1/4" thickness; or minimum 7/16" DEXcell Cement Roof Board; or minimum 1/2" IB HD ISO-J, or 1/2" IB Recovery Energy Board III-J.  
<sup>3</sup>The use of some IB Approved Cover Boards may not achieve UL Classification.  
<sup>4</sup>Approved Insulation Adhesive: Rapid Set Adhesive, Rapid Set PG Foam, Rapid Set ECO Spray Foam, Rapid Set ECO<sub>2</sub> Spray Foam, Millennium One Step, Millennium PG-1 SAF Pump Grade, Millennium PG-1 EF ECO, Millennium PG-1 EF ECO<sub>2</sub>, OB500 Adhesive Fastener, OB500 Cannister, or TruFast Roofing Adhesive.  
<sup>5</sup>Approved Low Rise Membrane Adhesive: IB Rapid Set ECO<sub>2</sub> Spray Foam, Millennium PG-1 EF ECO<sub>2</sub> Adhesive.  
<sup>6</sup>The use of some IB Approved Low Rise Membrane Adhesives may not achieve UL Classification.

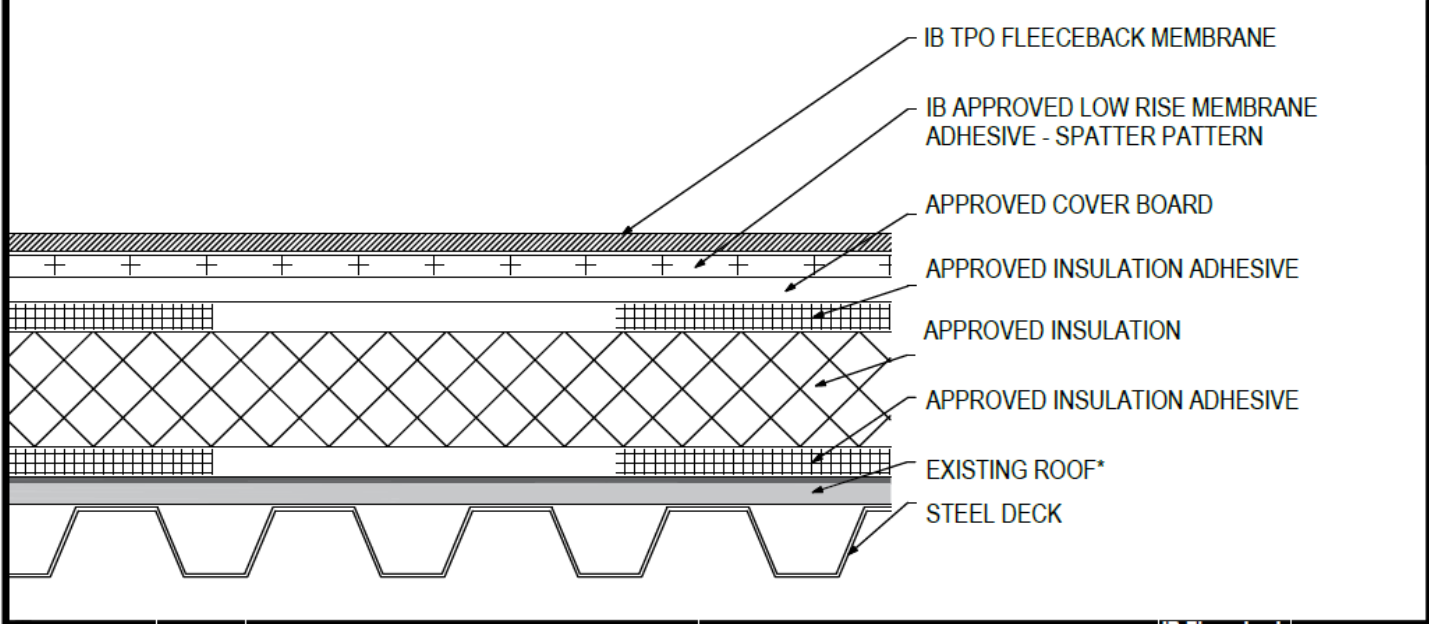
System Uplift Note(s): \*\*Refer to applicable Approval Guide for System Code and/or FM Approvals Information. \*\*\*Refer to Substrate Resistance Table for required pull-out values.  
 For additional information about IB Roof Systems requirements, recommendations, installation details, approvals, and limitations for the above assemblies, please refer to the latest edition of the IB Roof Systems Specifications Manual. For Technical Services please contact IB Technical Department at 800-426-1626.

| Membranes:        | Membrane Color: | Warranty Length** |         |         |  | Warranty Type** |
|-------------------|-----------------|-------------------|---------|---------|--|-----------------|
| IB TPO FB 115 Mil | White*          | 10 Year           | 15 Year | 20 Year | Contractor Warranty Only<br>Total Systems - No Dollar Limit (TSW)<br>Warranty Plus (WP)<br>Commercial Limited Material Warranty (CLMW)<br>Residential Limited Material Warranty (RLMW) |                 |
| IB TPO FB 135 Mil | White*          | 10 Year           | 15 Year | 20 Year |  |                 |

\*Meets CRRC, Title 24, LEED (SRI)  
 \*\*Refer to Warranty Selection Guide for Warranty Riders, Term Length Limitations, and eligibility requirements of the IB Warranty Program

|               |  |               |  |
|---------------|--|---------------|--|
| Submitted By: |  | Project Name: |  |
| Company Name: |  | Address:      |  |
| Email/Phone:  |  | City/State:   |  |

**Adhered TPO Membrane (SP) - Cover Board (RB) - Insulation (RB) - Existing Roof - Steel Deck (Recover)**



| Deck Type                         | Insulation (over Existing Roof) <sup>1</sup> |                              |                               | Cover Board          |                              |                             | IB TPO Fleeceback Membrane Securement <sup>**</sup> |
|-----------------------------------|--|------------------------------|-------------------------------|----------------------|------------------------------|-----------------------------|---|
|                                   | Type <sup>2,4</sup>                          | Attachment                   | Fastener/Plate <sup>***</sup> | Type <sup>3,4</sup>  | Adhesive Type <sup>5</sup>   | Pattern <sup>***</sup>      | Attachment <sup>6,7</sup>                           |
| Min. 22 ga. Type B Grade 33 Steel | Approved Insulation                          | Approved Insulation Adhesive | Continuous Ribbons, 12" oc.   | Approved Cover Board | Approved Insulation Adhesive | Continuous Ribbons, 12" oc. | IB Approved Low Rise Membrane Adhesive              |
| Min. 22 ga. Type B Grade 33 Steel | Approved Insulation                          | Approved Insulation Adhesive | Continuous Ribbons, 6" oc.    | Approved Cover Board | Approved Insulation Adhesive | Continuous Ribbons, 6" oc.  | IB Approved Low Rise Membrane Adhesive              |
| Min. 22 ga. Type B Grade 80 Steel | Approved Insulation                          | Approved Insulation Adhesive | Continuous Ribbons, 12" oc.   | Approved Cover Board | Approved Insulation Adhesive | Continuous Ribbons, 12" oc. | IB Approved Low Rise Membrane Adhesive              |
| Min. 22 ga. Type B Grade 80 Steel | Approved Insulation                          | Approved Insulation Adhesive | Continuous Ribbons, 6" oc.    | Approved Cover Board | Approved Insulation Adhesive | Continuous Ribbons, 6" oc.  | IB Approved Low Rise Membrane Adhesive              |

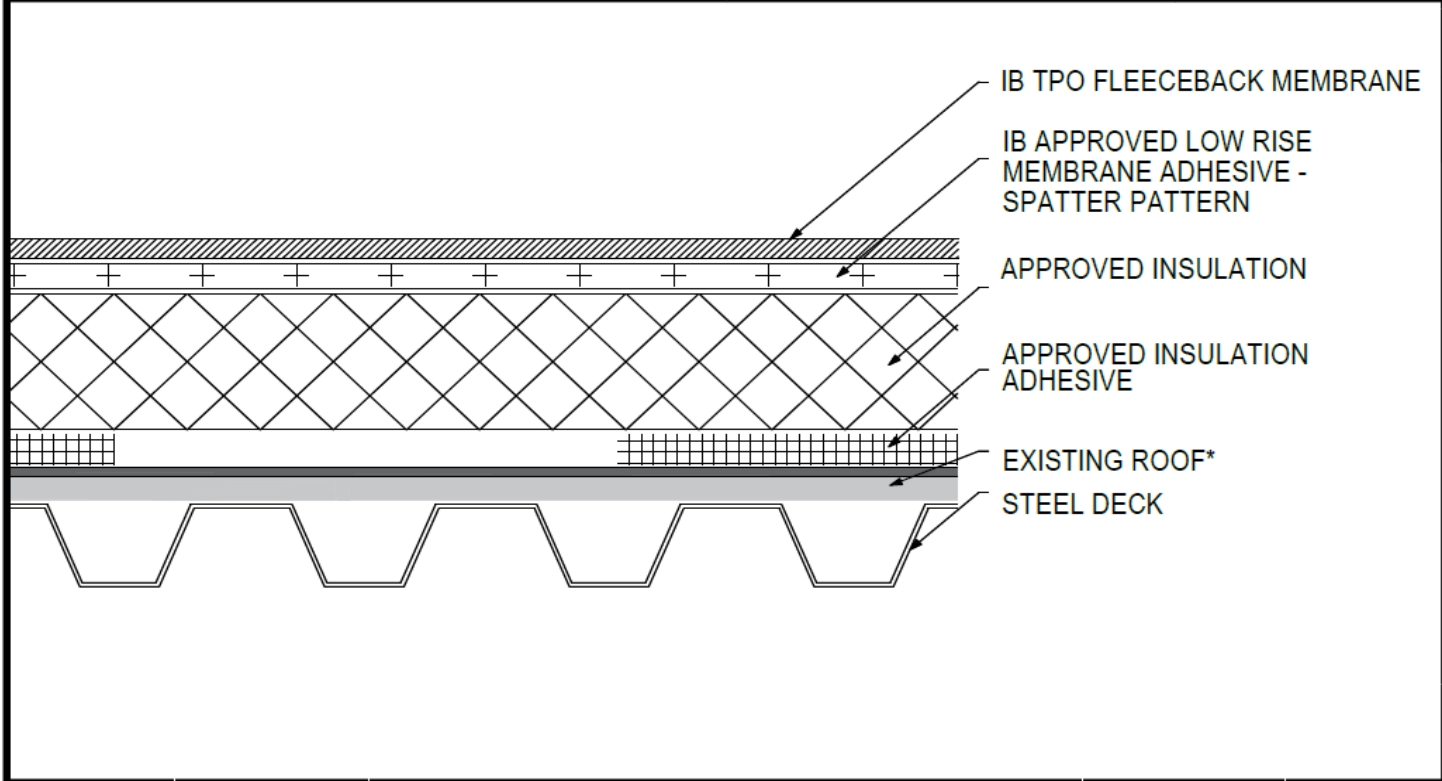
<sup>1</sup>Existing Roof: APP or SBS modified bitumen, smooth or granule surfaced asphaltic built-up roof.  
<sup>2</sup>Approved Insulation: IB Energy Board II or III, or IB Approved UL Classified Polyisocyanurate, IB Approved UL Classified Expanded Polystyrene, IB Approved UL Classified Extruded Polystyrene Insulation.  
<sup>3</sup>Approved Cover Board: DensDeck Prime, DensDeck StormX Prime, Securock Ultralight Coated Glass-Mat, Securock Gypsum Fiber Board, or DEXcell FA Glass Mat Roof Board, minimum 1/4" thickness; or minimum 7/16" DEXcell Cement Roof Board; or minimum 1/2" IB HD ISO-J, or 1/2" IB Recovery Energy Board III-J.  
<sup>4</sup>The use of some IB Approved Insulations and/or Cover Boards or combinations thereof may not achieve UL Classification.  
<sup>5</sup>Approved Insulation Adhesive: Rapid Set Adhesive, Rapid Set PG Foam, Rapid Set ECO Spray Foam, Rapid Set ECO<sub>2</sub> Spray Foam, Millennium One Step, Millennium PG-1 SAF Pump Grade, Millennium PG-1 EF ECO, Millennium PG-1 EF ECO<sub>2</sub>, OB500 Adhesive Fastener, OB500 Cannister, or TruFast Roofing Adhesive.  
<sup>6</sup>Approved Low Rise Membrane Adhesive: IB Rapid Set ECO<sub>2</sub> Spray Foam, Millennium PG-1 EF ECO<sub>2</sub> Adhesive.  
<sup>7</sup>The use of some IB Approved Low Rise Membrane Adhesives may not achieve UL Classification.  
**System Uplift Note(s): \*\*Refer to applicable Approval Guide for System Code and/or FM Approvals Information. \*\*\*Refer to Substrate Resistance Table for required pull-out values.**

For additional information about IB Roof Systems requirements, recommendations, installation details, approvals, and limitations for the above assemblies, please refer to the latest edition of the IB Roof Systems Specifications Manual. For Technical Services please contact IB Technical Department at 800-426-1626.

| Membranes:                                    | Membrane Color: | Warranty Length <sup>**</sup>   |         |         | Warranty Type <sup>**</sup>   |
|---|-----------------|---|---------|---------|---|
| IB TPO FB 115 Mil                             | White*          | 10 Year   | 15 Year | 20 Year | Contractor Warranty Only<br>Total Systems - No Dollar Limit (TSW)<br>Warranty Plus (WP)     |
| IB TPO FB 135 Mil                             | White*          | 10 Year   | 15 Year | 20 Year |   |
| <sup>*</sup> Meets CRRC, Title 24, LEED (SRI) |                 | <sup>**</sup> Refer to Warranty Selection Guide for Warranty Riders, Term Length Limitations, and eligibility requirements of the IB Warranty Program |         |         | Commercial Limited Material Warranty (CLMW)<br>Residential Limited Material Warranty (RLMW) |

|               |               |
|---------------|---------------|
| Submitted By: | Project Name: |
| Company Name: | Address:      |
| Email/Phone:  | City/State:   |

**Adhered TPO Membrane (SP) - Insulation (RB) - Existing Roof - Steel Deck (Recover)**



| Deck Type                         | Insulation (over Existing Roof) <sup>1</sup> |                                  |                             | IB TPO Fleeceback Membrane Securement <sup>**</sup> |
|-----------------------------------|--|----------------------------------|-----------------------------|---|
|                                   | Type <sup>2,3</sup>                          | Insulation Adhesive <sup>4</sup> | Pattern                     |   |
| Min. 22 ga. Type B Grade 33 Steel | Approved Insulation                          | Approved Insulation Adhesive     | Continuous Ribbons, 12" oc. | IB Approved Low Rise Membrane Adhesive              |
| Min. 22 ga. Type B Grade 33 Steel | Approved Insulation                          | Approved Insulation Adhesive     | Continuous Ribbons, 6" oc   | IB Approved Low Rise Membrane Adhesive              |
| Min. 22 ga. Type B Grade 80 Steel | Approved Insulation                          | Approved Insulation Adhesive     | Continuous Ribbons, 12" oc. | IB Approved Low Rise Membrane Adhesive              |
| Min. 22 ga. Type B Grade 80 Steel | Approved Insulation                          | Approved Insulation Adhesive     | Continuous Ribbons, 6" oc   | IB Approved Low Rise Membrane Adhesive              |

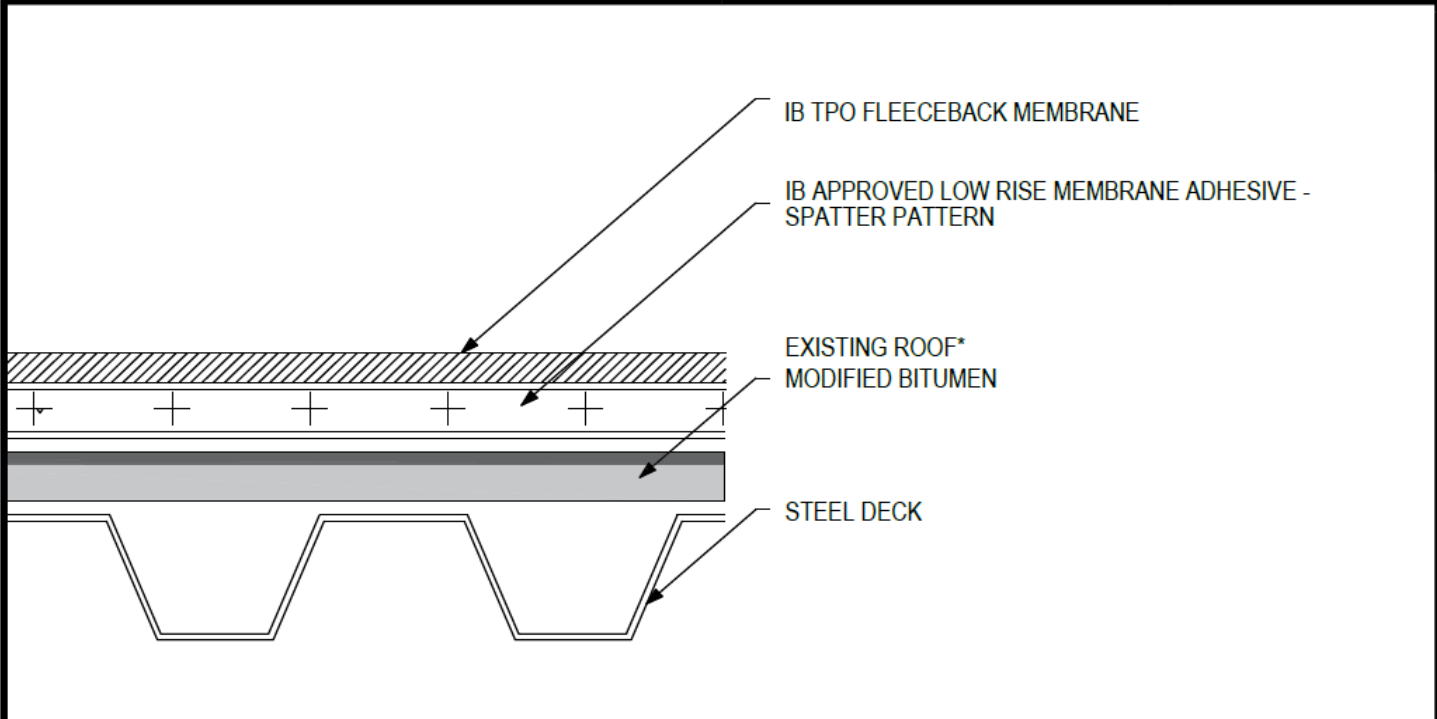
<sup>1</sup>Existing Roof: APP or SBS modified bitumen, smooth or granule surfaced asphaltic built-up roof.  
<sup>2</sup>Approved Insulation: IB Energy Board II or III, or IB Approved UL Classified Polyisocyanurate.  
<sup>3</sup>The use of some IB Approved Insulations may not achieve UL Classification.  
<sup>4</sup>Approved Insulation Adhesive: Rapid Set Adhesive, Rapid Set PG Foam, Rapid Set ECO Spray Foam, Rapid Set ECO<sub>2</sub> Spray Foam, Millennium One Step, Millennium PG-1 SAF Pump Grade, Millennium PG-1 EF ECO, Millennium PG-1 EF ECO<sub>2</sub>, OB500 Adhesive Fastener, OB500 Cannister, or TruFast Roofing Adhesive.  
<sup>5</sup>Approved Low Rise Membrane Adhesive: IB Rapid Set ECO<sub>2</sub> Spray Foam, Millennium PG-1 EF ECO<sub>2</sub> Adhesive.  
<sup>6</sup>The use of some IB Approved Low Rise Membrane Adhesives may not achieve UL Classification.

**System Uplift Note(s):** \*\*Refer to applicable Approval Guide for System Code and/or FM Approvals Information. \*\*\*Refer to Substrate Resistance Table for required pull-out values.  
 For additional information about IB Roof Systems requirements, recommendations, installation details, approvals, and limitations for the above assemblies, please refer to the latest edition of the IB Roof Systems Specifications Manual. For Technical Services please contact IB Technical Department at 800-426-1626.

| Membranes:                        |        | Membrane Color: |  | Warranty Length**   |         |         |  | Warranty Type*                        |  |
|-----------------------------------|--------|-----------------|--|---|---------|---------|--|---------------------------------------|--|
| IB TPO FB 115 Mil                 | White* |                 |  | 10 Year   | 15 Year | 20 Year |  | Contractor Warranty Only              |  |
| IB TPO FB 135 Mil                 | White* |                 |  | 10 Year   | 15 Year | 20 Year |  | Total Systems - No Dollar Limit (TSW) |  |
| *Meets CRRC, Title 24, LEED (SRI) |        |                 |  | **Refer to Warranty Selection Guide for Warranty Riders, Term Length Limitations, and eligibility requirements of the IB Warranty Program |         |         |  |                                       | Warranty Plus (WP)                           |
|                                   |        |                 |  |   |         |         |  |                                       | Commercial Limited Material Warranty (CLMW)  |
|                                   |        |                 |  |   |         |         |  |                                       | Residential Limited Material Warranty (RLMW) |

|               |               |
|---------------|---------------|
| Submitted By: | Project Name: |
| Company Name: | Address:      |
| Email/Phone:  | City/State:   |

**Adhered TPO Membrane (SP) - Existing Roof (MB) - Steel Deck (Recover)**



| Deck Type                         | IB TPO Fleeceback Membrane (over Existing Modified Bitumen Roof) |  |
|-----------------------------------|--|--|
|                                   | Type <sup>1</sup>  | Attachment <sup>2,3</sup>              |
| Min. 22 ga. Type B Grade 33 Steel | Existing Modified Bitumen Roof                                   | IB Approved Low Rise Membrane Adhesive |
| Min. 22 ga. Type B Grade 80 Steel | Existing Modified Bitumen Roof                                   | IB Approved Low Rise Membrane Adhesive |

<sup>1</sup>Existing Roof: APP or SBS modified bitumen, smooth or granule surfaced roof only.

<sup>2</sup>Approved Low Rise Membrane Adhesive: IB Rapid Set ECO<sub>2</sub> Spray Foam, Millennium PG-1 EF ECO<sub>2</sub> Adhesive.

<sup>3</sup>The use of some IB Approved Low Rise Membrane Adhesives may not achieve UL Classification.

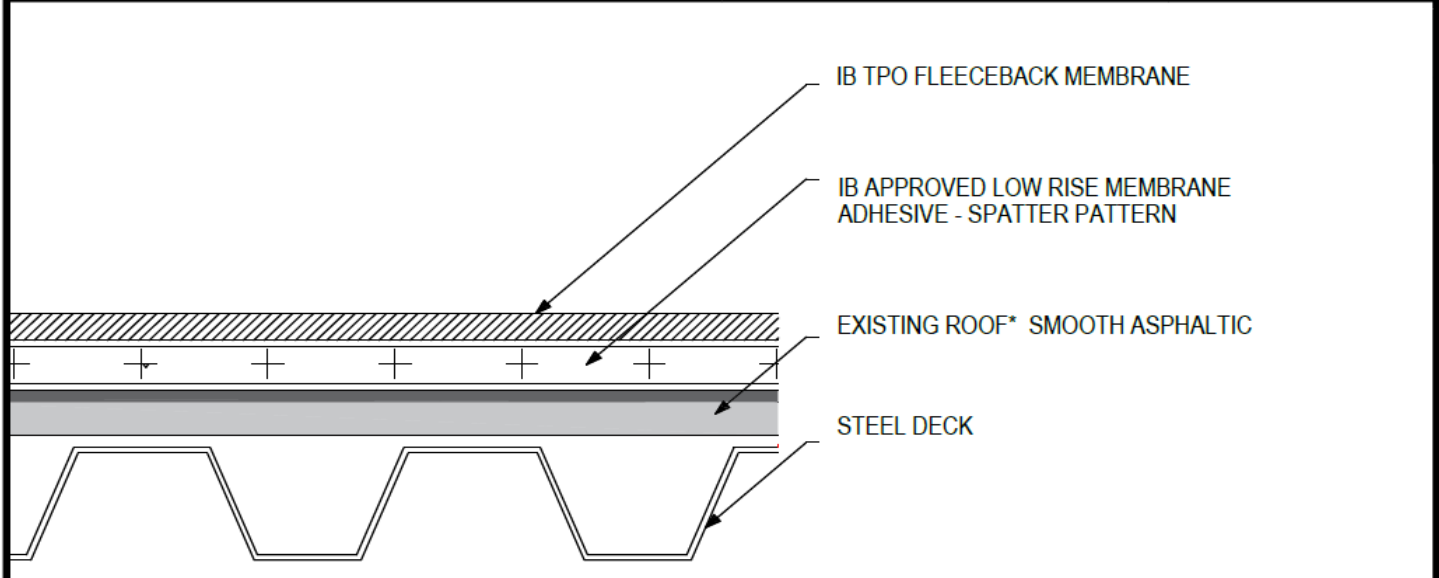
System Uplift Note(s): \*\*Refer to applicable Approval Guide for System Code and/or FM Approvals Information. \*\*\*Refer to Substrate Resistance Table for required pull-out values.

For additional information about IB Roof Systems requirements, recommendations, installation details, approvals, and limitations for the above assemblies, please refer to the latest edition of the IB Roof Systems Specifications Manual. For Technical Services please contact IB Technical Department at 800-426-1626.

| Membranes:                        |        | Membrane Color: |  | Warranty Length**   |         |         | Warranty Type**                              |  |
|-----------------------------------|--------|-----------------|--|---|---------|---------|--|--|
| IB TPO FB 115 Mil                 | White* |                 |  | 10 Year   | 15 Year | 20 Year | Contractor Warranty Only                     |  |
| IB TPO FB 135 Mil                 | White* |                 |  | 10 Year   | 15 Year | 20 Year | Total Systems - No Dollar Limit (TSW)        |  |
| *Meets CRRC, Title 24, LEED (SRI) |        |                 |  | **Refer to Warranty Selection Guide for Warranty Riders, Term Length Limitations, and eligibility requirements of the IB Warranty Program |         |         | Warranty Plus (WP)                           |  |
|                                   |        |                 |  |   |         |         | Commercial Limited Material Warranty (CLMW)  |  |
|                                   |        |                 |  |   |         |         | Residential Limited Material Warranty (RLMW) |  |

|               |  |               |  |
|---------------|--|---------------|--|
| Submitted By: |  | Project Name: |  |
| Company Name: |  | Address:      |  |
| Email/Phone:  |  | City/State:   |  |

**Adhered TPO Membrane (SP) - Existing Roof (SA) - Steel Deck (Recover)**



| Deck Type                            | IB TPO Fleeceback Membrane (over Existing Smooth Asphaltic Roof) |  |
|--------------------------------------|--|--|
|                                      | Type <sup>1</sup>  | Attachment <sup>2,3</sup>              |
| Min. 22 ga. Type B<br>Grade 33 Steel | Existing Smooth Asphaltic Roof                                   | IB Approved Low Rise Membrane Adhesive |
| Min. 22 ga. Type B<br>Grade 80 Steel | Existing Smooth Asphaltic Roof                                   | IB Approved Low Rise Membrane Adhesive |

<sup>1</sup>Existing Roof: APP or SBS modified bitumen, smooth or granule surfaced asphaltic built-up roof only.  
<sup>2</sup>Approved Low Rise Membrane Adhesive: IB Rapid Set ECO<sub>2</sub> Spray Foam, Millennium PG-1 EF ECO<sub>2</sub> Adhesive.  
<sup>3</sup>The use of some IB Approved Low Rise Membrane Adhesives may not achieve UL Classification.  
**System Uplift Note(s): \*\*Refer to applicable Approval Guide for System Code and/or FM Approvals Information. \*\*\*Refer to Substrate Resistance Table for required pull-out values.**  
 For additional information about IB Roof Systems requirements, recommendations, installation details, approvals, and limitations for the above assemblies, please refer to the latest edition of the IB Roof Systems Specifications Manual. For Technical Services please contact IB Technical Department at 800-426-1626.

| Membranes:                        |  | Membrane Color: |  | Warranty Length**   |         |         | Warranty Type**                              |  |
|-----------------------------------|--|-----------------|--|---|---------|---------|--|--|
| IB TPO FB 115 Mil                 |  | White*          |  | 10 Year   | 15 Year | 20 Year | Contractor Warranty Only                     |  |
| IB TPO FB 135 Mil                 |  | White*          |  | 10 Year   | 15 Year | 20 Year | Total Systems - No Dollar Limit (TSW)        |  |
| *Meets CRRC, Title 24, LEED (SRI) |  |                 |  | **Refer to Warranty Selection Guide for Warranty Riders, Term Length Limitations, and eligibility requirements of the IB Warranty Program |         |         | Warranty Plus (WP)                           |  |
|                                   |  |                 |  |   |         |         | Commercial Limited Material Warranty (CLMW)  |  |
|                                   |  |                 |  |   |         |         | Residential Limited Material Warranty (RLMW) |  |

|               |  |               |  |
|---------------|--|---------------|--|
| Submitted By: |  | Project Name: |  |
| Company Name: |  | Address:      |  |
| Email/Phone:  |  | City/State:   |  |