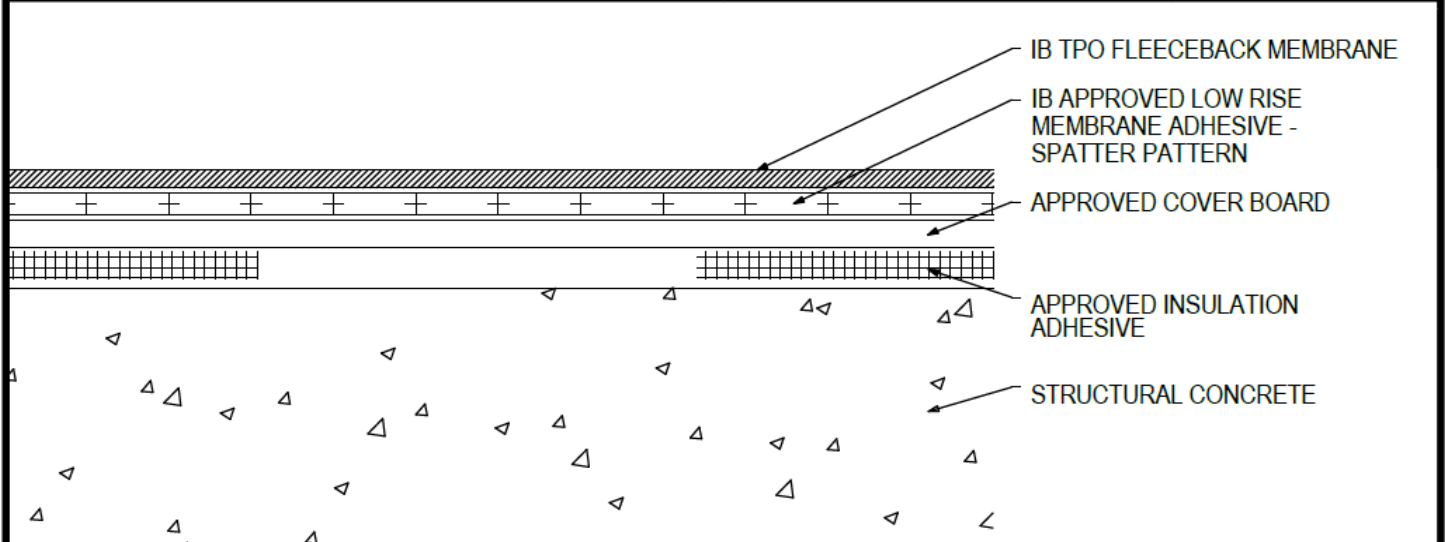


### Adhered TPO Membrane (SP) - Cover Board (RB) - Concrete Deck (New or Tear-Off)



Deck Type	Cover Board			IB TPO Fleeceback Membrane Securement**
	Type <sup>1,2</sup>	Insulation Adhesive <sup>3</sup>	Pattern <sup>***</sup>	
Structural Concrete	Approved Cover Board	Approved Insulation Adhesive	Continuous Ribbons, 12" oc.	IB Approved Low Rise Membrane Adhesive
Structural Concrete	Approved Cover Board	Approved Insulation Adhesive	Continuous Ribbons, 6" oc.	IB Approved Low Rise Membrane Adhesive

<sup>1</sup>Approved Cover Board: DensDeck Prime, DensDeck StormX Prime, Securock Ultralight Coated Glass-Mat, Securock Gypsum Fiber Board, or DEXcell FA Glass Mat Roof Board, minimum 1/2" thickness; or minimum 7/16" DEXcell Cement Roof Board; or minimum 1/2" IB HD ISO-J, or 1/2" IB Recovery Energy Board III-J.

<sup>2</sup>The use of some IB Approved Cover Boards may not achieve UL Classification.

<sup>3</sup>Approved Insulation Adhesive: Rapid Set Adhesive, Rapid Set PG Foam, Rapid Set ECO Spray Foam, Rapid Set ECO<sub>2</sub> Spray Foam, Millennium One Step, Millennium PG-1 SAF Pump Grade, Millennium PG-1 EF ECO, Millennium PG-1 EF ECO<sub>2</sub>, OB500 Adhesive Fastener, OB500 Cannister, or TruFast Roofing Adhesive.

<sup>4</sup>Approved Low Rise Membrane Adhesive: IB Rapid Set ECO<sub>2</sub> Spray Foam, Millennium PG-1 EF ECO<sub>2</sub> Adhesive.

<sup>5</sup>The use of some IB Approved Low Rise Membrane Adhesives may not achieve UL Classification.

**System Uplift Note(s): \*\*Refer to applicable Approval Guide for System Code and/or FM Approvals Information. \*\*\*Refer to Substrate Resistance Table for required pull-out values.**

For additional information about IB Roof Systems requirements, recommendations, installation details, approvals, and limitations for the above assemblies, please refer to the latest edition of the IB Roof Systems Specifications Manual. For Technical Services please contact IB Technical Department at 800-426-1626.

Membranes:		Membrane Color:		Warranty Length**				Warranty Type**	
IB TPO FB 115 Mil		White*		10 Year	15 Year	20 Year		Contractor Warranty Only	
IB TPO FB 135 Mil		White*		15 Year	20 Year	25 Year		Total Systems - No Dollar Limit (TSW)	
*Meets CRRC, Title 24, LEED (SRI)				**Refer to Warranty Selection Guide for Warranty Riders, Term Length Limitations, and eligibility requirements of the IB Warranty Program					Warranty Plus (WP)
									Commercial Limited Material Warranty (CLMW)
									Residential Limited Material Warranty (RLMW)

Submitted By:		Project Name:	
Company Name:		Address:	
Email/Phone:		City/State:	