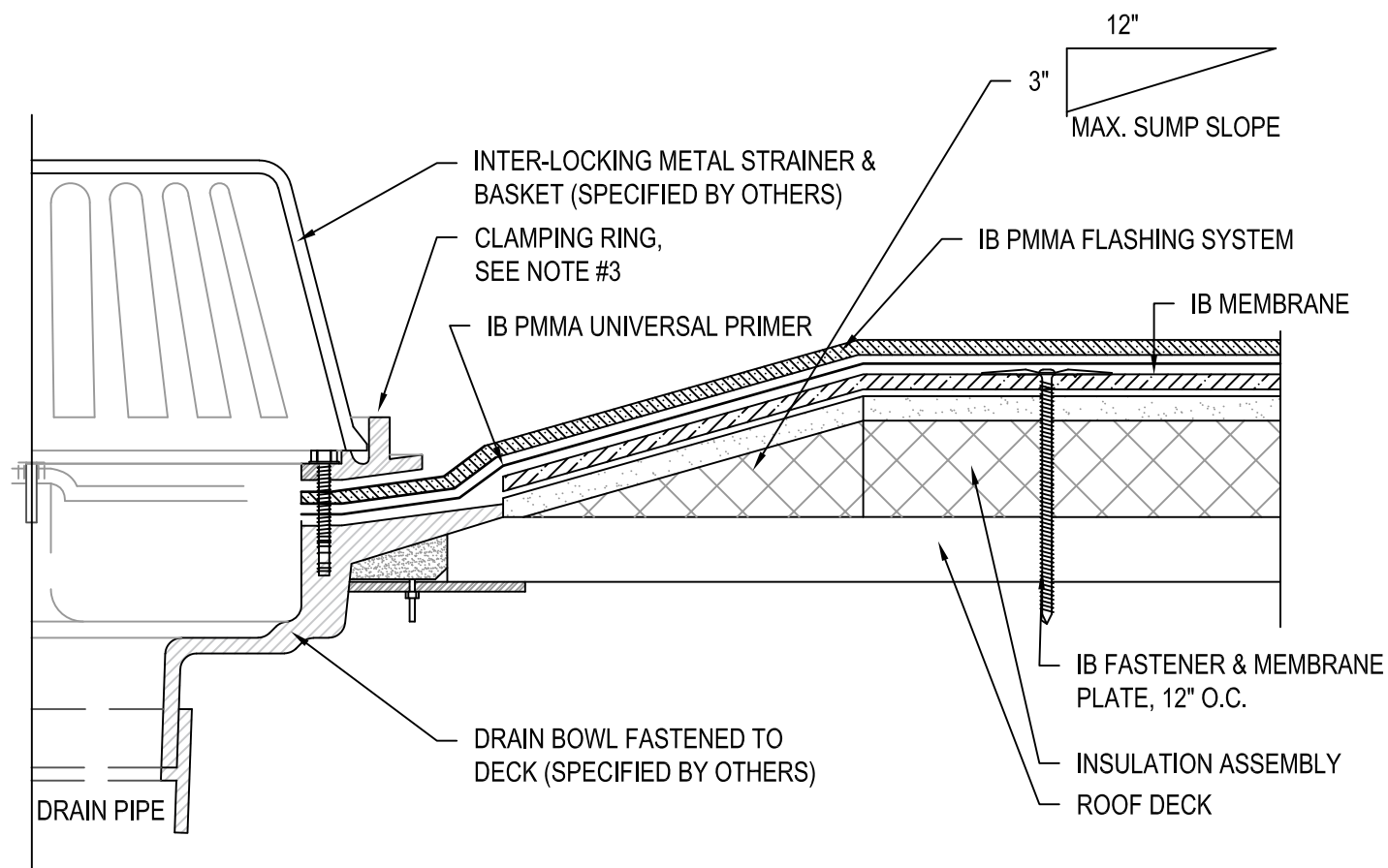




# PMMA Flashing Scupper Drains



### NOTES:

1. ROOF SLOPE, DRAIN SIZE AND NUMBER OF DRAINS SHALL BE IN ACCORDANCE WITH THE LOCAL CODES.
2. OVERFLOW DRAINS ARE THE SAME, EXCEPT FOR THE RESTRICTOR COLLAR.
3. REFER TO PM-FD-01 FOR STANDARD PMMA FLASHING DETAIL CONSTRUCTION.
4. REFER TO PM-FD-02 FOR TWO-PLY PMMA FLASHING APPLICATION FOR EXTENDED WARRANTY ELIGIBILITY.
5. MEMBRANE FASTENERS SHALL BE COVERED WITH AN ADDITIONAL LAYER OF IB MEMBRANE OR IB T-PATCH.
6. REFER TO PM-RD-01 FOR FASTENING DRAIN PATTERN.

Scale:  
NTS

Detail Name:

## PMMA Flashing at Clamping Ring Drain Sump

Detail Number:  
PM-RD-02

Submitted By:

Address:  
Telephone:

Project:

Address: