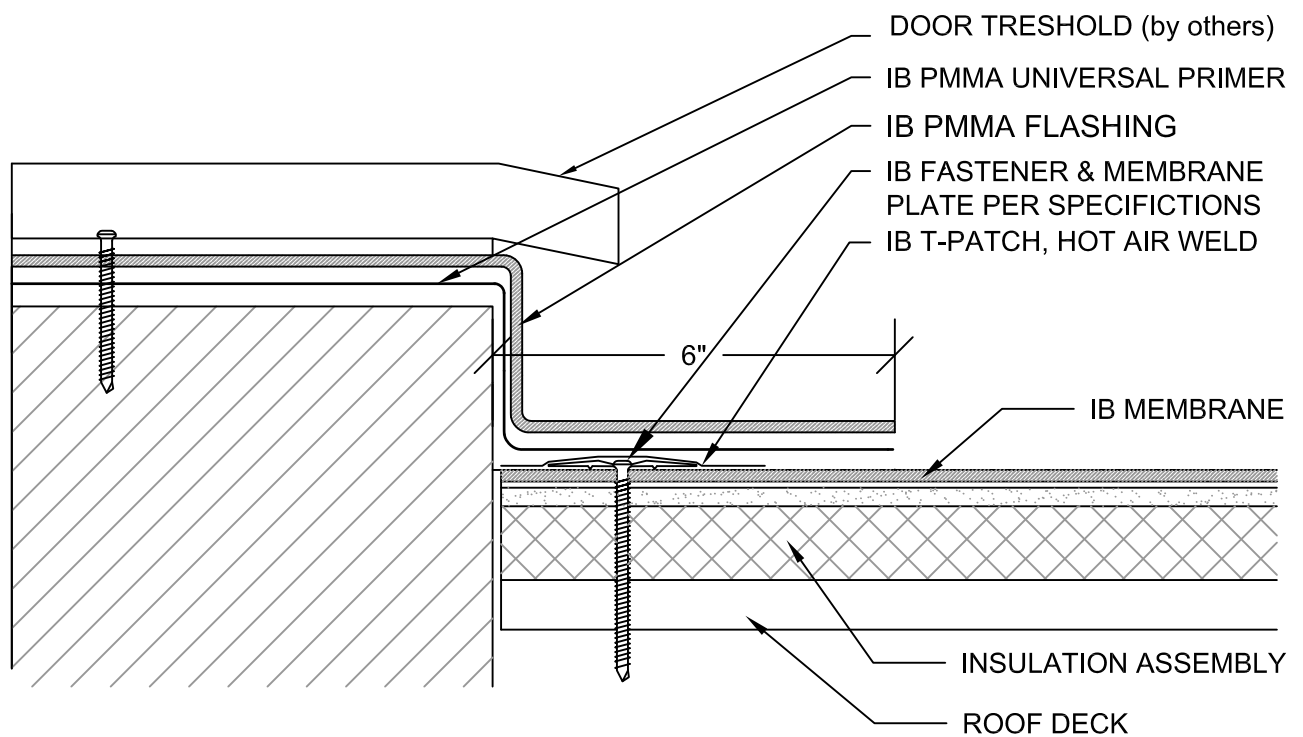




PMMA Flashings



NOTES:

1. REFER TO PM-FD-01 FOR STANDARD PMMA FLASHING DETAIL CONSTRUCTION.
2. REFER TO PM-FD-02 FOR TWO-PLY PMMA FLASHING APPLICATION FOR EXTENDED WARRANTY ELIGIBILITY.
3. MEMBRANE FASTENERS SHALL BE COVERED WITH AN ADDITIONAL LAYER OF IB MEMBRANE OR IB T-PATCH.

Scale: NTS	Detail Name: PMMA Flashing At Door Treshold	Detail Number: PM-BF-06
Submitted By: Address: Telephone:		Project: Address: